

NOTES:

1. COMPLY WITH ALL APPLICABLE NATIONAL, STATE AND LOCAL CODES.
2. REFER TO PRODUCT MANUALS PRIOR TO INSTALLATION AND SITE PREPARATION WORK FOR FURTHER DETAILS. ONLY TRAINED ELECTRICIAN MUST PERFORM WORK ON THIS EQUIPMENT.
3. ALL DIMENSIONS ARE IN INCHES [MILLIMETERS].
4. WEIGHT OF THE UNIT IS 18.0lbs [8.18kg].
5. TURN OFF POWER TO BUSWAY BEFORE INSTALLING, REMOVING, OR WORKING ON THIS EQUIPMENT.
6. DO NOT INSTALL VERTICALLY, POWERBUS IS NOT SUITABLE FOR VERTICAL MOUNTING.
7. PROVIDE SUFFICIENT HORIZONTAL AND VERTICAL CLEARANCE FROM WALLS AND CEILINGS TO PROVIDE EASY ACCESS TO JOINTS AND SUFFICIENT ROOM FOR TAP OFF UNIT INSTALLATION.
8. ENSURE THAT ALL JOINT CONTACT SURFACES ARE FREE OF CONTAMINANTS.
9. VERIFY THAT THE SYSTEM PHASING MATCHES THE BUSWAY PHASING.

PBP4A13L2120M1/PBP4A13L2130M1

PBPEDU4A100COOL2120M1T/PBPEDU4A100COOL2130M1T

THIS DRAWING AND SPECIFICATIONS HEREIN ARE THE PROPERTY OF SCHNEIDER ELECTRIC AND SHALL NOT BE COPIED, REPRODUCED OR USED IN WHOLE OR IN PART, AS THE BASIS FOR THE MANUFACTURE OR SALE OF ITEMS WITHOUT WRITTEN PERMISSION FROM SCHNEIDER ELECTRIC. THIS DRAWING IS BASED UPON LATEST AVAILABLE INFORMATION AND IS SUBJECT TO CHANGE WITHOUT NOTICE.

Schneider Electric

TITLE: iBusway for Data Center System
TAP OFF UNIT WITH METERING
EDB, 1x3 POLE, 5-WIRE, 20A/30A
1-DROP CORD, 3ft, L21-20/L21-30
MAIN MECHANICAL-1

DWG NO: PBPEDU4A100COOL21M1

REV: 0

DRAWN BY: K.NAGENDRA 04-AUG-14

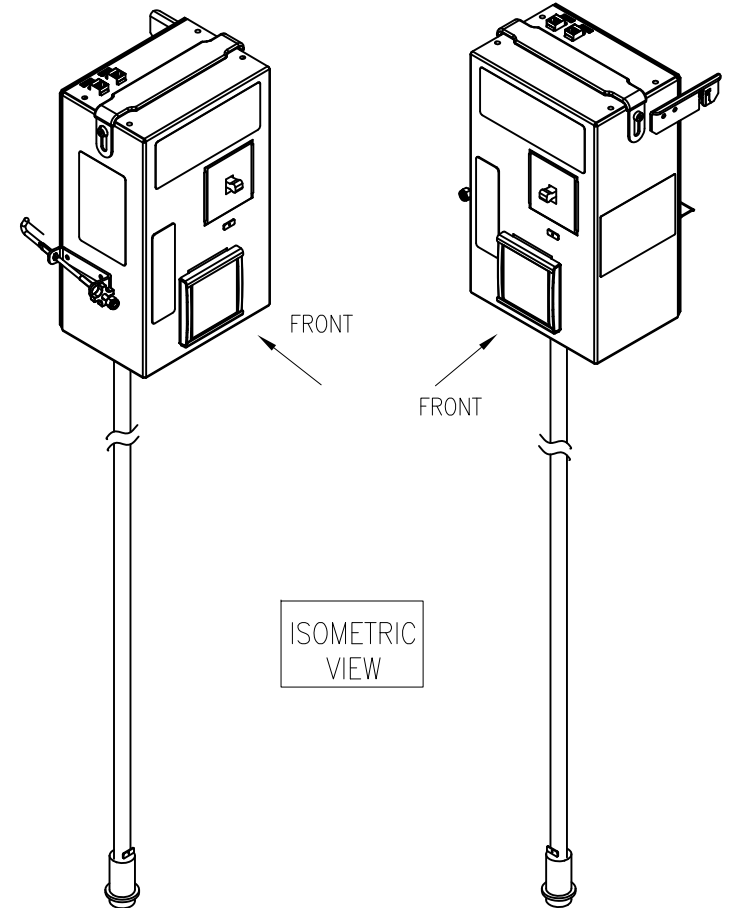
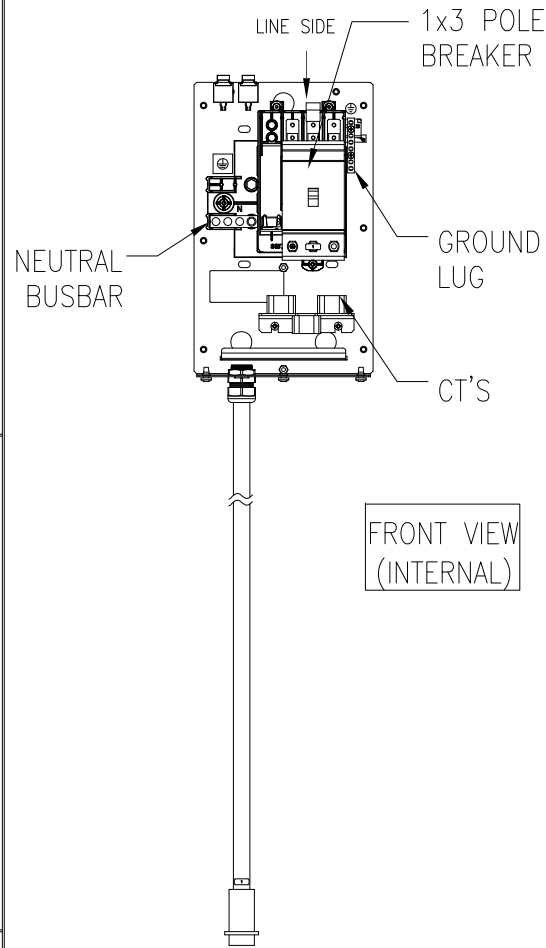
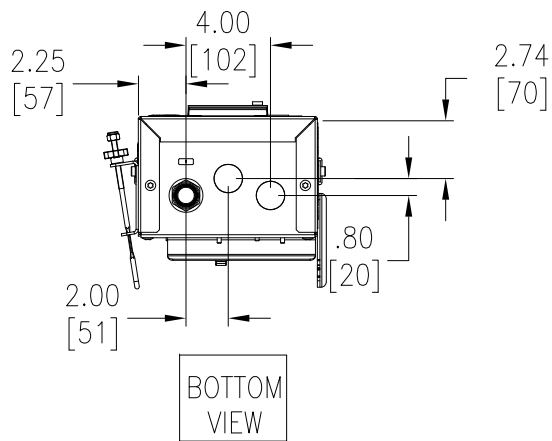
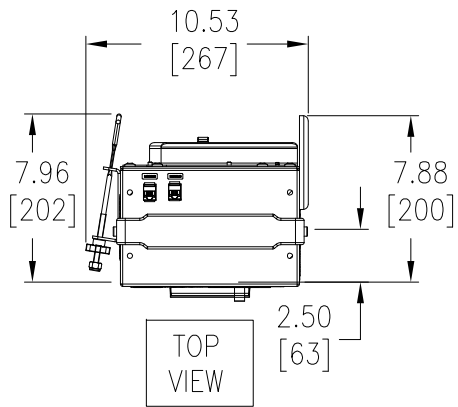
THIRD ANGLE

ENGINEER: NARAYAN Nr 04-AUG-14

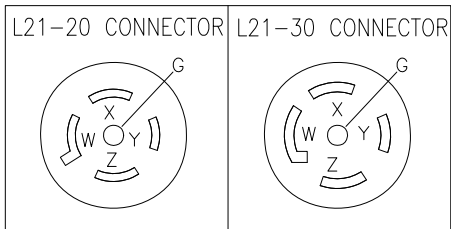
PROJECTION

PROJECT: DRAWINGS SHEET 1 OF 2

APPROVED BY: AL WARNER 04-AUG-14



CONNECTOR TYPE
(ANY ONE OF THE FOLLOWING TYPE CONNECTOR WILL BE SUPPLIED AS PER SKU)



NOTES:

1. COMPLY WITH ALL APPLICABLE NATIONAL, STATE AND LOCAL CODES.
2. REFER TO PRODUCT MANUALS PRIOR TO INSTALLATION AND SITE PREPARATION WORK FOR FURTHER DETAILS.
3. ALL DIMENSIONS ARE IN INCHES [MILLIMETERS].

THIS DRAWING AND SPECIFICATIONS HEREIN ARE THE PROPERTY OF SCHNEIDER ELECTRIC AND SHALL NOT BE COPIED, REPRODUCED OR USED IN WHOLE OR IN PART, AS THE BASIS FOR THE MANUFACTURE OR SALE OF ITEMS WITHOUT WRITTEN PERMISSION FROM SCHNEIDER ELECTRIC. THIS DRAWING IS BASED UPON LATEST AVAILABLE INFORMATION AND IS SUBJECT TO CHANGE WITHOUT NOTICE.



TITLE: iBusway for Data Center System
TAP OFF UNIT WITH METERING
EDB, 1x3 POLE, 5-WIRE, 20A/30A
1-DROP CORD, 3ft, L21-20/L21-30
MAIN MECHANICAL-2

DWG NO: PBPEDU4A100COOL21M1

DRAWN BY: K.NAGENDRA 04-AUG-14

ENGINEER: NARAYAN Nr 04-AUG-14

APPROVED BY: AL WARNER 04-AUG-14

REV. 0

THIRD ANGLE PROJECTION