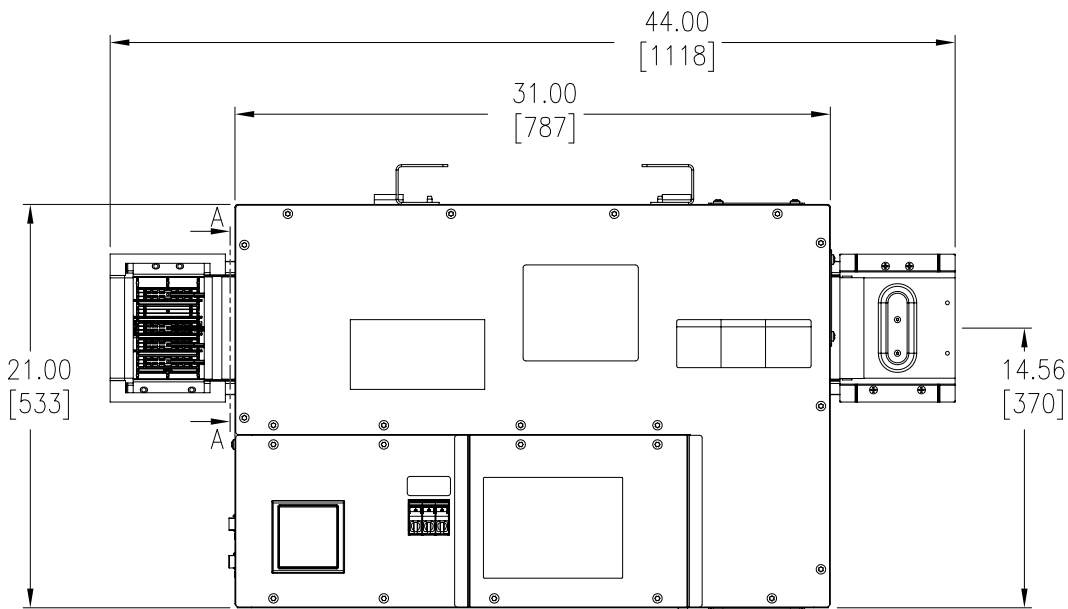
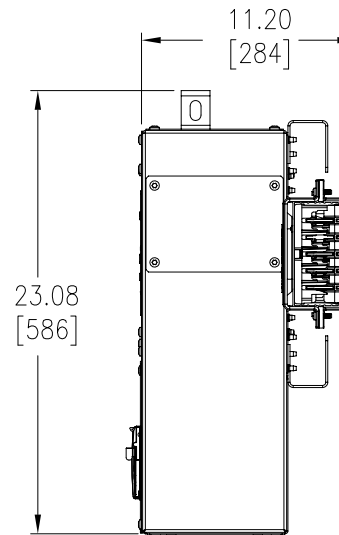


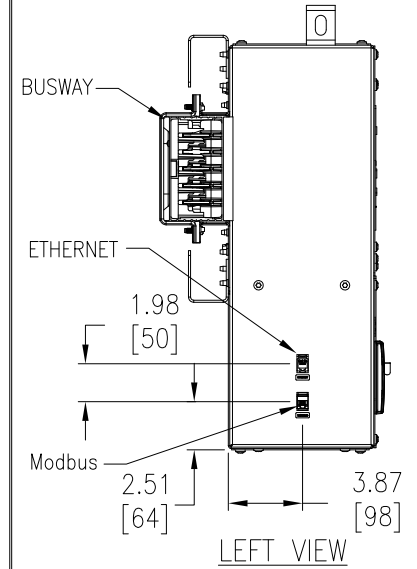
TOP VIEW



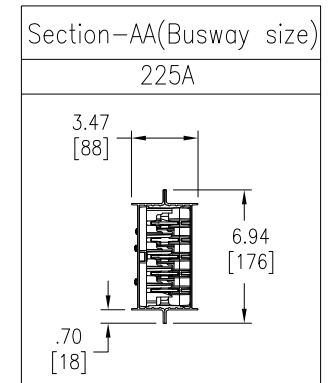
FRONT VIEW



RIGHT VIEW



LEFT VIEW



NOTES:

1. COMPLY WITH ALL APPLICABLE NATIONAL, STATE AND LOCAL CODES.
2. REFER TO PRODUCT MANUALS PRIOR TO INSTALLATION AND SITE PREPARATION WORK FOR FURTHER DETAILS.  
ONLY TRAINED ELECTRICIAN MUST PERFORM WORK ON THIS EQUIPMENT.
3. TURN OFF POWER TO BUSWAY BEFORE INSTALLING, REMOVING, OR WORKING ON THIS EQUIPMENT.
4. DO NOT INSTALL VERTICALLY, POWERBUS IS NOT SUITABLE FOR VERTICAL MOUNTING.
5. PROVIDE SUFFICIENT HORIZONTAL AND VERTICAL CLEARANCE FROM WALLS AND CEILINGS TO PROVIDE EASY ACCESS TO JOINTS AND SUFFICIENT ROOM FOR TAP OFF UNIT INSTALLATION.
6. ENSURE THAT ALL JOINT CONTACT SURFACES ARE FREE OF CONTAMINANTS.
7. VERIFY THAT THE SYSTEM PHASING MATCHES THE BUSWAY PHASING.
8. ALL DIMENSIONS ARE IN INCHES [MILLIMETERS]
9. WEIGHT OF THE UNIT IS 90.0lbs [40.8kg]

THIS DRAWING AND SPECIFICATIONS HEREIN ARE THE PROPERTY OF SCHNEIDER ELECTRIC AND SHALL NOT BE COPIED, REPRODUCED OR USED IN WHOLE OR IN PART, AS THE BASIS FOR THE MANUFACTURE OR SALE OF ITEMS WITHOUT WRITTEN PERMISSION FROM SCHNEIDER ELECTRIC. THIS DRAWING IS BASED UPON LATEST AVAILABLE INFORMATION AND IS SUBJECT TO CHANGE WITHOUT NOTICE.

PBCF4A225ATBM

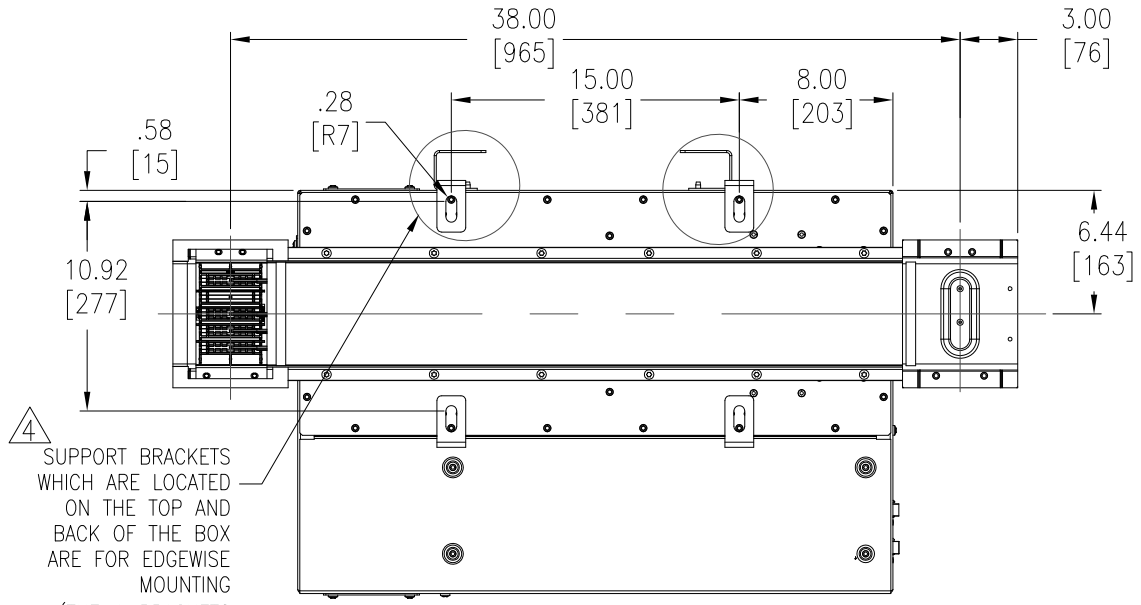


TITLE: iBusway for Data Center System  
POWER FEED UNITS  
3PHASE, 225A, 600V  
WITH METERING, MAIN MECHANICAL-1

PROJECT: DRAWINGS SHEET 1 OF 6

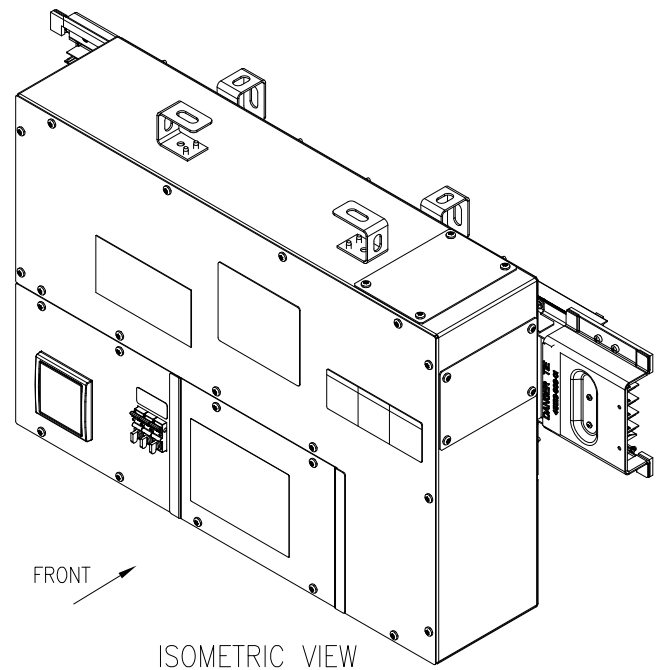
DWG NO: PBCF4A225ATB  
DRAWN BY: K.NAGENDRA 06-AUG-14  
ENGINEER: NARAYAN Nr 06-AUG-14  
APPROVED BY: AL WARNER 06-AUG-14

REV: 0  
THIRD ANGLE PROJECTION



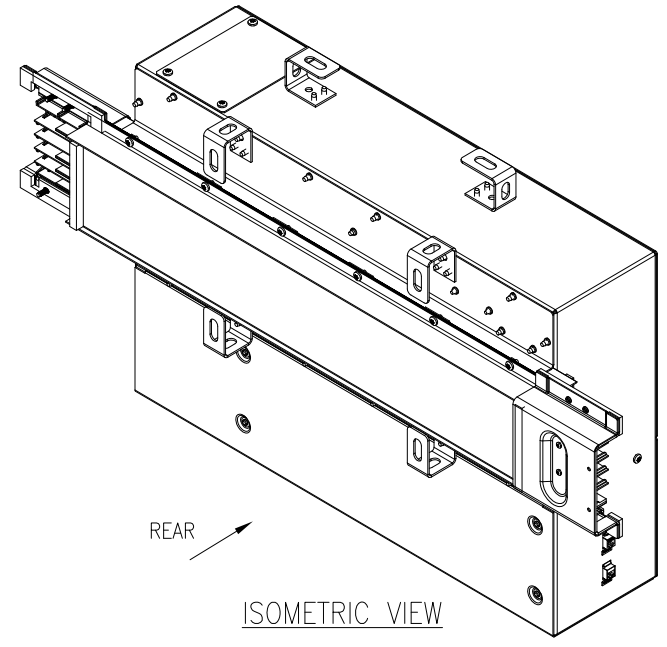
△4 SUPPORT BRACKETS WHICH ARE LOCATED ON THE TOP AND BACK OF THE BOX ARE FOR EDGEWISE MOUNTING (THE 4-BRACKETS CIRCLED IN RED)

REAR VIEW



FRONT

ISOMETRIC VIEW



REAR

ISOMETRIC VIEW

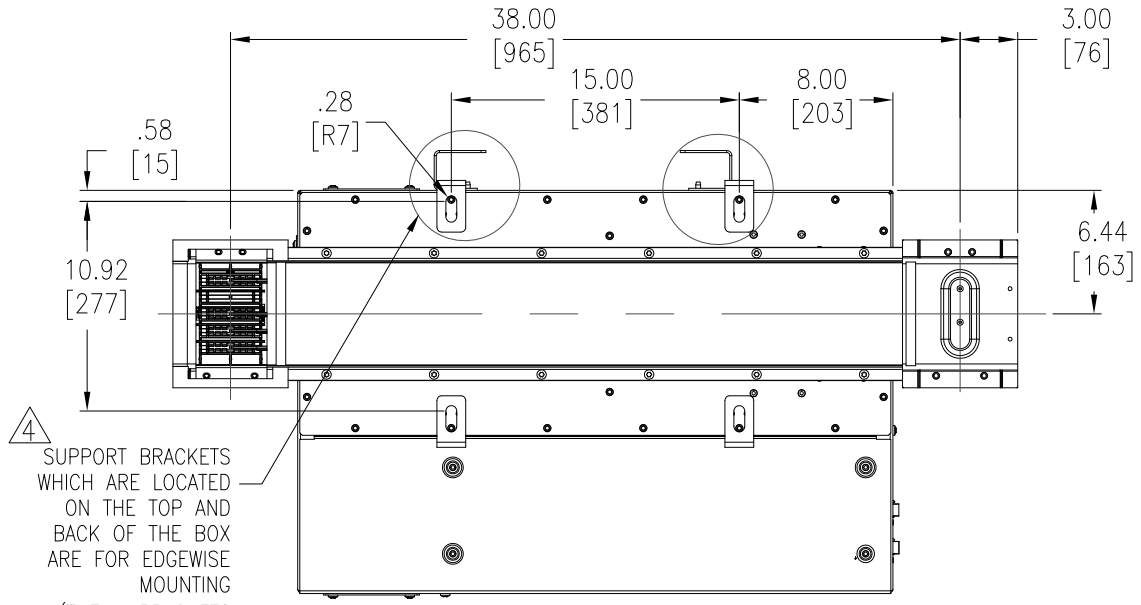
- NOTES:
1. COMPLY WITH ALL APPLICABLE NATIONAL, STATE AND LOCAL CODES.
  2. REFER TO PRODUCT MANUALS PRIOR TO INSTALLATION AND SITE PREPARATION WORK FOR FURTHER DETAILS.
  3. ALL DIMENSIONS ARE IN INCHES [MILLIMETERS].
  - △4. SIDE MOUNTING IS OPTIONAL, FOR SIDE MOUNTING USE THE 4 BRACKETS LOCATED ON THE BACK OF THE BOX.

PBCF4A225ATBM

THIS DRAWING AND SPECIFICATIONS HEREIN ARE THE PROPERTY OF SCHNEIDER ELECTRIC AND SHALL NOT BE COPIED, REPRODUCED OR USED IN WHOLE OR IN PART, AS THE BASIS FOR THE MANUFACTURE OR SALE OF ITEMS WITHOUT WRITTEN PERMISSION FROM SCHNEIDER ELECTRIC. THIS DRAWING IS BASED UPON LATEST AVAILABLE INFORMATION AND IS SUBJECT TO CHANGE WITHOUT NOTICE.

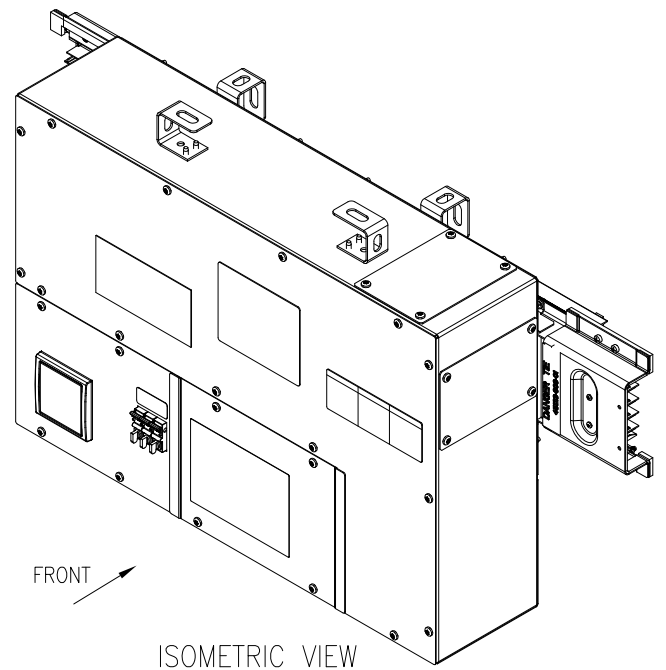


TITLE: iBusway for Data Center System POWER FEED UNITS 3PHASE, 225A, 600V WITH METERING, MAIN MECHANICAL-2		DWG NO: PBCF4A225ATB	REV: 0
PROJECT: DRAWINGS		DRAWN BY: K.NAGENDRA	06-AUG-14
SHEET 2 OF 6		ENGINEER: NARAYAN Nr	06-AUG-14
		APPROVED BY: AL WARNER	06-AUG-14
			THIRD ANGLE PROJECTION



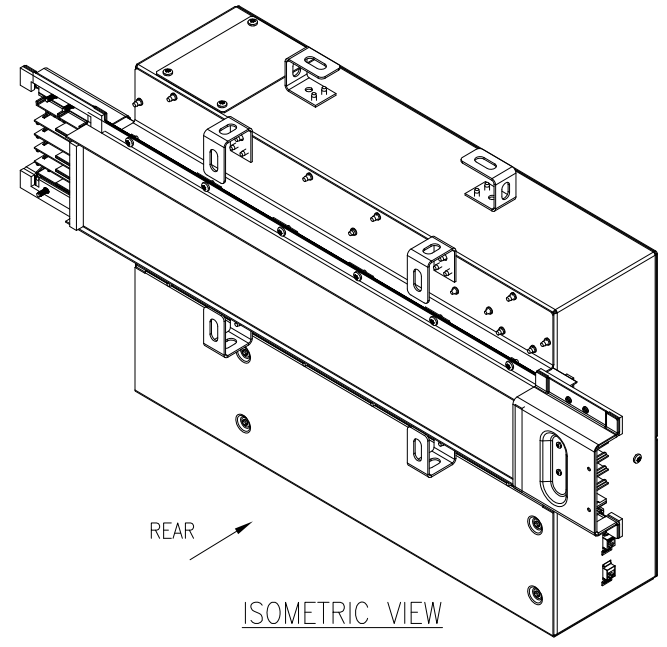
△4 SUPPORT BRACKETS WHICH ARE LOCATED ON THE TOP AND BACK OF THE BOX ARE FOR EDGEWISE MOUNTING (THE 4-BRACKETS CIRCLED IN RED)

REAR VIEW



FRONT

ISOMETRIC VIEW



REAR

ISOMETRIC VIEW

- NOTES:
1. COMPLY WITH ALL APPLICABLE NATIONAL, STATE AND LOCAL CODES.
  2. REFER TO PRODUCT MANUALS PRIOR TO INSTALLATION AND SITE PREPARATION WORK FOR FURTHER DETAILS.
  3. ALL DIMENSIONS ARE IN INCHES [MILLIMETERS].
  - △4. SIDE MOUNTING IS OPTIONAL, FOR SIDE MOUNTING USE THE 4 BRACKETS LOCATED ON THE BACK OF THE BOX.

PBCF4A225ATBM

THIS DRAWING AND SPECIFICATIONS HEREIN ARE THE PROPERTY OF SCHNEIDER ELECTRIC AND SHALL NOT BE COPIED, REPRODUCED OR USED IN WHOLE OR IN PART, AS THE BASIS FOR THE MANUFACTURE OR SALE OF ITEMS WITHOUT WRITTEN PERMISSION FROM SCHNEIDER ELECTRIC. THIS DRAWING IS BASED UPON LATEST AVAILABLE INFORMATION AND IS SUBJECT TO CHANGE WITHOUT NOTICE.



TITLE: iBusway for Data Center System  
POWER FEED UNITS  
3PHASE, 225A, 600V  
WITH METERING, MAIN MECHANICAL-2

PROJECT: DRAWINGS SHEET 2 OF 6

DWG NO: PBCF4A225ATB

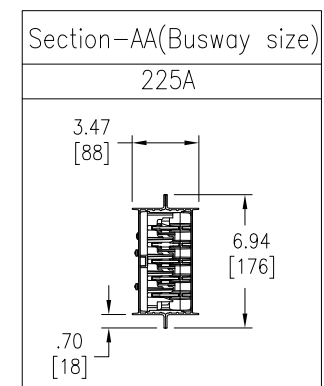
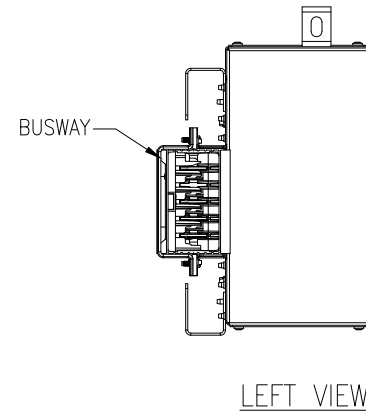
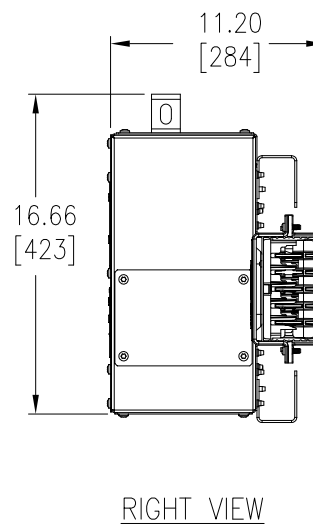
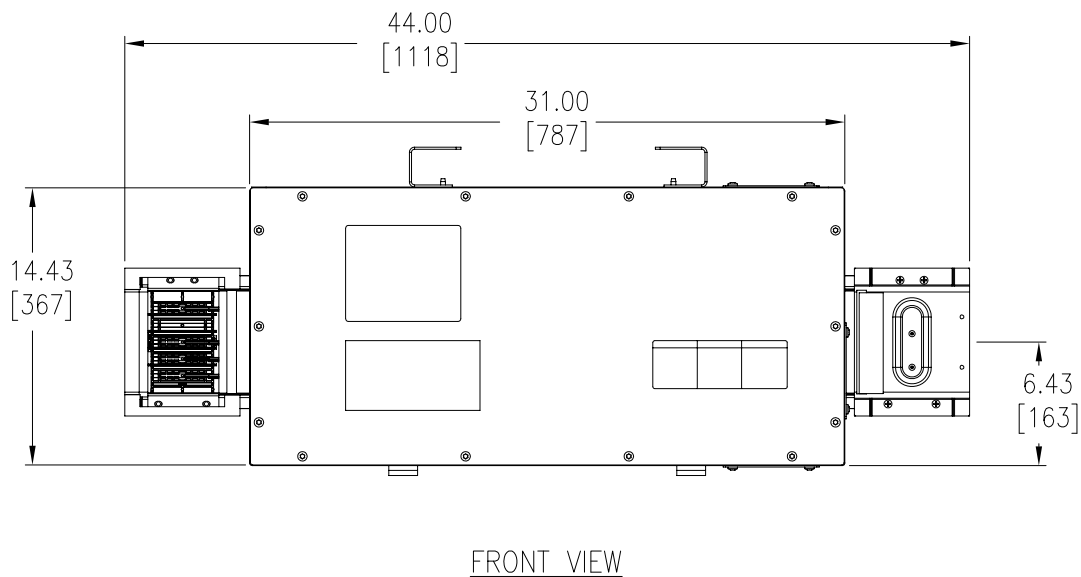
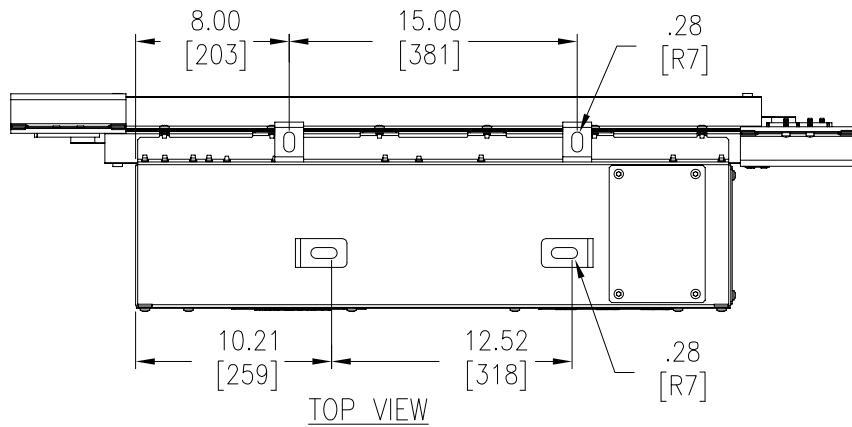
DRAWN BY: K.NAGENDRA 06-AUG-14

ENGINEER: NARAYAN Nr 06-AUG-14

APPROVED BY: AL WARNER 06-AUG-14

REV: 0

THIRD ANGLE PROJECTION



NOTES:

1. COMPLY WITH ALL APPLICABLE NATIONAL, STATE AND LOCAL CODES.
2. REFER TO PRODUCT MANUALS PRIOR TO INSTALLATION AND SITE PREPARATION WORK FOR FURTHER DETAILS.  
ONLY TRAINED ELECTRICIAN MUST PERFORM WORK ON THIS EQUIPMENT.
3. TURN OFF POWER TO BUSWAY BEFORE INSTALLING, REMOVING, OR WORKING ON THIS EQUIPMENT.
4. DO NOT INSTALL VERTICALLY, POWERBUS IS NOT SUITABLE FOR VERTICAL MOUNTING.
5. PROVIDE SUFFICIENT HORIZONTAL AND VERTICAL CLEARANCE FROM WALLS AND CEILINGS TO PROVIDE EASY ACCESS TO JOINTS AND SUFFICIENT ROOM FOR TAP OFF UNIT INSTALLATION.
6. ENSURE THAT ALL JOINT CONTACT SURFACES ARE FREE OF CONTAMINANTS.
7. VERIFY THAT THE SYSTEM PHASING MATCHES THE BUSWAY PHASING.
8. ALL DIMENSIONS ARE IN INCHES [MILLIMETERS]
9. WEIGHT OF THE UNIT IS 65.0lbs [29.5kg]

PBCF4A225ATBB

THIS DRAWING AND SPECIFICATIONS HEREIN ARE THE PROPERTY OF SCHNEIDER ELECTRIC AND SHALL NOT BE COPIED, REPRODUCED OR USED IN WHOLE OR IN PART, AS THE BASIS FOR THE MANUFACTURE OR SALE OF ITEMS WITHOUT WRITTEN PERMISSION FROM SCHNEIDER ELECTRIC. THIS DRAWING IS BASED UPON LATEST AVAILABLE INFORMATION AND IS SUBJECT TO CHANGE WITHOUT NOTICE.

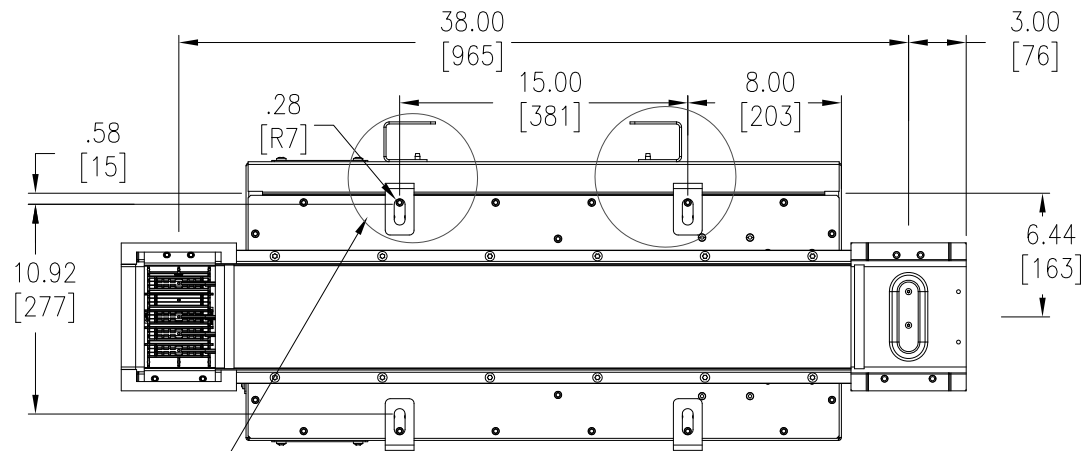
**Schneider Electric**

TITLE: iBusway for Data Center System  
POWER FEED UNITS  
3PHASE, 225A, 600V  
WITHOUT METERING, MAIN MECHANICAL-1

PROJECT: DRAWINGS SHEET 4 OF 6

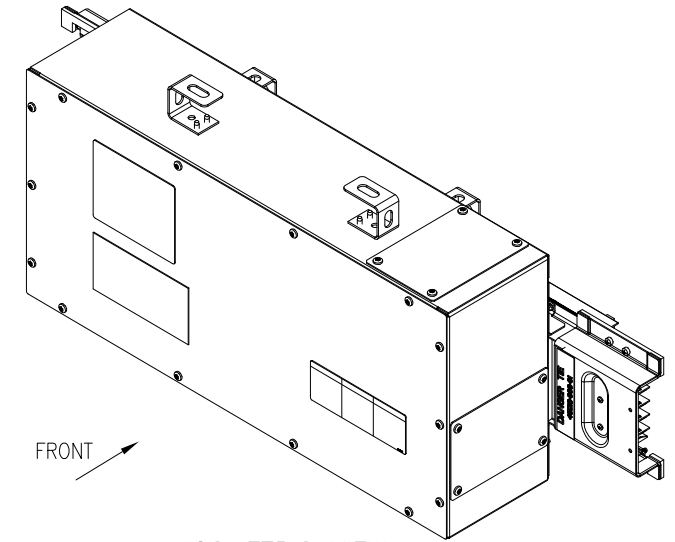
DWG NO: PBCF4A225ATB  
DRAWN BY: K.NAGENDRA 06-AUG-14  
ENGINEER: NARAYAN Nr 06-AUG-14  
APPROVED BY: AL WARNER 06-AUG-14

REV: 0  
THIRD ANGLE PROJECTION

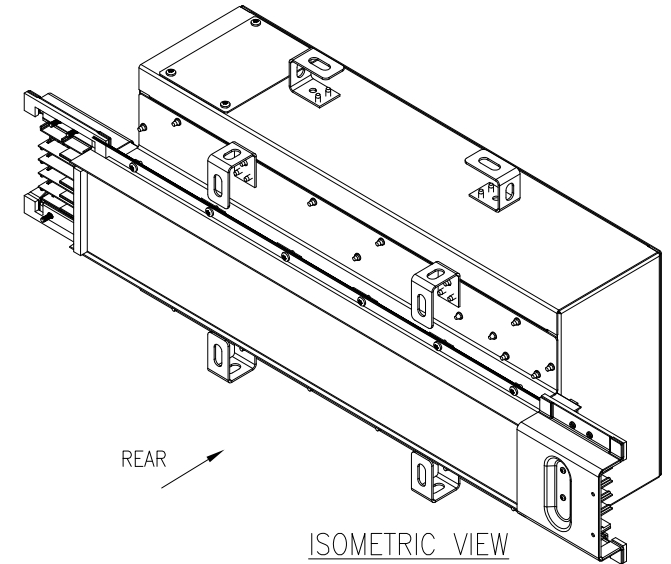


REAR VIEW

4 SUPPORT BRACKETS WHICH ARE LOCATED ON THE TOP AND BACK OF THE BOX ARE FOR EDGEWISE MOUNTING (THE 4-BRACKETS CIRCLED IN RED)



ISOMETRIC VIEW



ISOMETRIC VIEW

- NOTES:
1. COMPLY WITH ALL APPLICABLE NATIONAL, STATE AND LOCAL CODES.
  2. REFER TO PRODUCT MANUALS PRIOR TO INSTALLATION AND SITE PREPARATION WORK FOR FURTHER DETAILS.
  3. ALL DIMENSIONS ARE IN INCHES [MILLIMETERS].
  4. SIDE MOUNTING IS OPTIONAL, FOR SIDE MOUNTING USE THE 4 BRACKETS LOCATED ON THE BACK OF THE BOX.

PBCF4A225ATBB

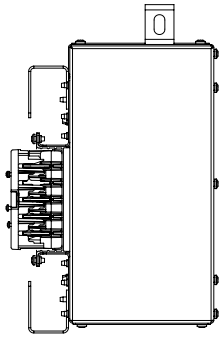
THIS DRAWING AND SPECIFICATIONS HEREIN ARE THE PROPERTY OF SCHNEIDER ELECTRIC AND SHALL NOT BE COPIED, REPRODUCED OR USED IN WHOLE OR IN PART, AS THE BASIS FOR THE MANUFACTURE OR SALE OF ITEMS WITHOUT WRITTEN PERMISSION FROM SCHNEIDER ELECTRIC. THIS DRAWING IS BASED UPON LATEST AVAILABLE INFORMATION AND IS SUBJECT TO CHANGE WITHOUT NOTICE.



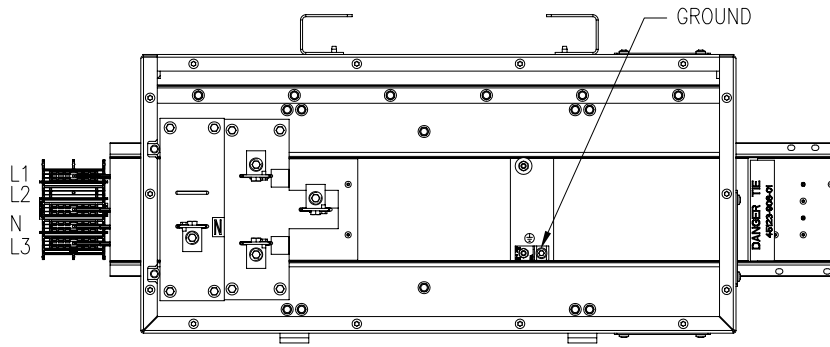
TITLE: iBusway for Data Center System  
POWER FEED UNITS  
3PHASE, 225A, 600V  
WITHOUT METERING, MAIN MECHANICAL-2  
PROJECT: DRAWINGS SHEET 5 OF 6

DWG NO: PBCF4A225ATB  
DRAWN BY: K.NAGENDRA 06-AUG-14  
ENGINEER: NARAYAN Nr 06-AUG-14  
APPROVED BY: AL WARNER 06-AUG-14

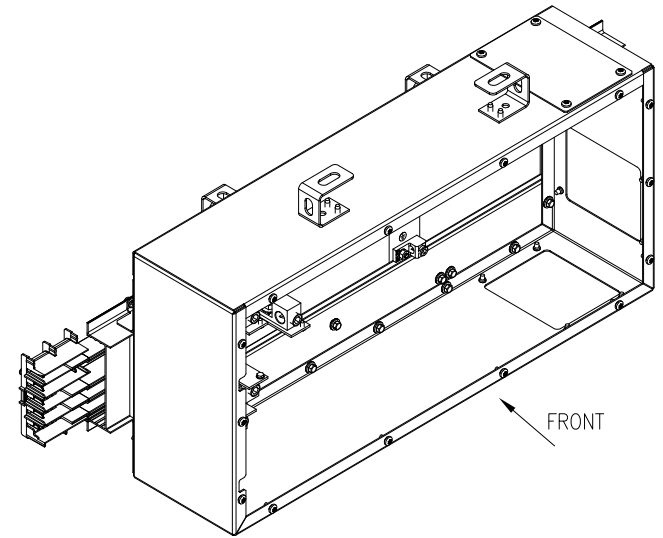
REV: 0  
THIRD ANGLE PROJECTION



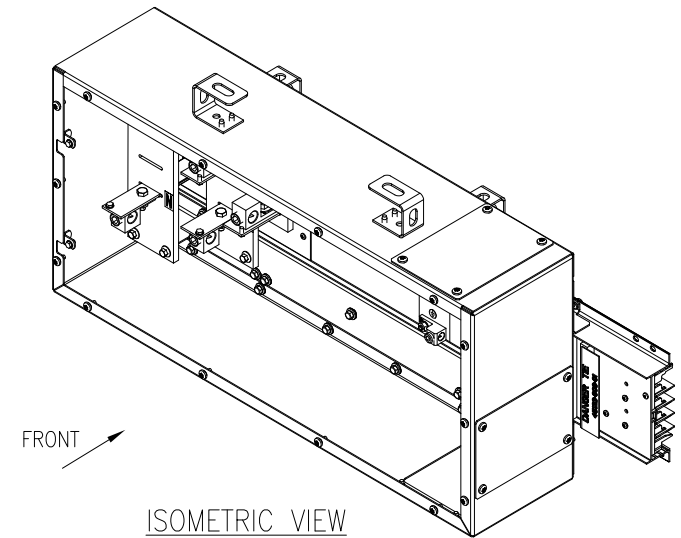
LEFT VIEW



FRONT VIEW  
(INTERNAL)



ISOMETRIC VIEW



ISOMETRIC VIEW

**NOTES:**

1. COMPLY WITH ALL APPLICABLE NATIONAL, STATE AND LOCAL CODES.
2. REFER TO PRODUCT MANUALS PRIOR TO INSTALLATION AND SITE PREPARATION WORK FOR FURTHER DETAILS.
3. ALL DIMENSIONS ARE IN INCHES [MILLIMETERS].

PBCF4A225ATBB

THIS DRAWING AND SPECIFICATIONS HEREIN ARE THE PROPERTY OF SCHNEIDER ELECTRIC AND SHALL NOT BE COPIED, REPRODUCED OR USED IN WHOLE OR IN PART, AS THE BASIS FOR THE MANUFACTURE OR SALE OF ITEMS WITHOUT WRITTEN PERMISSION FROM SCHNEIDER ELECTRIC. THIS DRAWING IS BASED UPON LATEST AVAILABLE INFORMATION AND IS SUBJECT TO CHANGE WITHOUT NOTICE.



TITLE: Busbar for Data Center System  
POWER FEED UNITS  
3PHASE, 225A, 600V  
WITHOUT METERING, INTERNAL VIEW

PROJECT: DRAWINGS SHEET 6 OF 6

DWG NO: PBCF4A225ATB

DRAWN BY: K.NAGENDRA 06-AUG-14

ENGINEER: NARAYAN Nr 06-AUG-14

APPROVED BY: AL WARNER 06-AUG-14

REV: 0

THIRD ANGLE PROJECTION