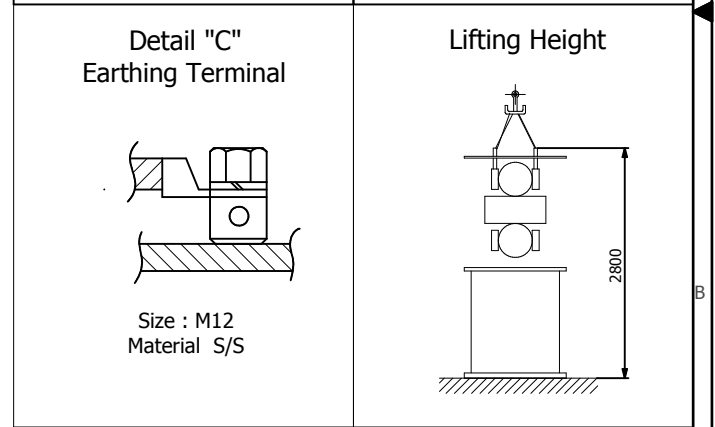
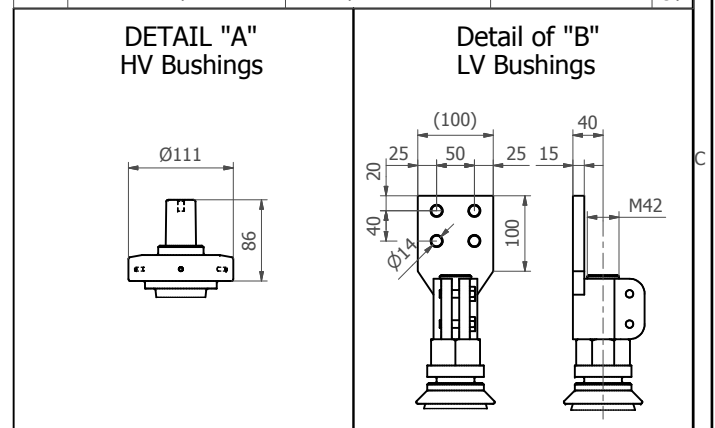


Item	Description	Specification	Manufacturer	Qty.
13	PRD Without Contact	50VG2	COMEM	1
12	Bi Directional Roller	Ø125	-	4
11	Filling Gate Valve	3/4" Pipe	KITZ	1
10	Radiator Fins	900 x 350	-	106
9	Protection Relay	DMCR	IDEF SYSTEMES	1
8	Draining Gate Valve	3/4" Pipe	KITZ	1
7	Lifting Lugs	-	-	2
6	Earthing Terminal	-	-	3
5	Off Circuit Tap Changer	24kV - 30A - 5Pos	ELETTRO MAULE	1
4	HV Bushings	Plug-In 24kV / 250A	COMEM	4
3	LV Bushings	1kV / 2000A	COMEM	4
2	Rating Plate	-	-	1
1	Name Plate	-	-	1



Type	HERMETICALLY SEALED TOTALLY OIL FILLED	Total Weight	2700	kg	
Rated Power	1250	kVA	Untanking Weight	1150	kg
Voltage	20	kV	Weight/Volume of Oil	640 / 710	kg/liter
Current	36	A	Oil Type	MINERAL OIL	
Frequency	50	Hz	Colour	RAL 7032	
Vector-Group symbol	Dyn5	Temp. rise OIL/WINDING	60/65		
Cooling Method	ONAN	Standard	IEC 60076		

Rev	Date	Drawn	Chk	App	Description
00	05/10/15	ADD	CHY/CCP	SJ	ORIGINAL

General Tolerances : ISO 2768-1, ISO 1302

Surface texture: ISO 1302 All dimensions in millimetres unless otherwise stated

IF IN DOUBT - PLEASE ASK !

Project Name	PRIVATE C60	Project No.	M.9960
Title	GENERAL ARRANGEMENT	Scale	1 : 7
Drawing no	M.9960-GI05	Sheet no	1
Size	A1	Total	1

Schneider Electric
Schneider Transformer Cibitung
Jl. Selayar Blok AB-10 MM2100 Industrial Park
Cibitung - Bekasi 17520
INDONESIA