

EXTERNAL ISOMETRIC VIEW

INTERNAL ISOMETRIC VIEW

SPECIFICATIONS:

Circuit breaker	NSX250S DC (LV438990)
Maximum configuration	4 hour runtime
Battery Type	Lead-acid
Maximum short circuit level (kA)	20

UPS Rating (kVA)	Trip Setting (A)	
	I _r	I _m
60	200	1250
80	250	



Recommended Cable Size for Cables Between UPS and Battery Breaker

UPS Rating		60kVA	80kVA
Copper Cable	DC+, N, DC- (mm ²)	50mm ²	70mm ²
	PE (mm ²)	25mm ²	35mm ²

NOTES:

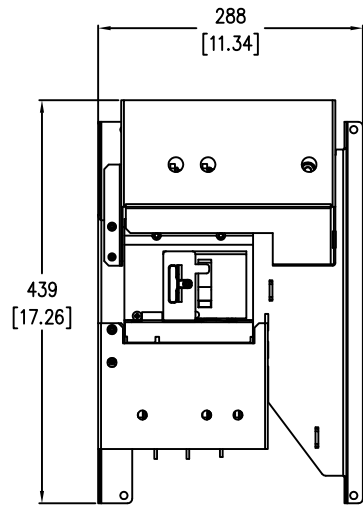
1. INSTALLATION SHALL COMPLY WITH ALL APPLICABLE NATIONAL, STATE AND LOCAL ELECTRICAL REGULATIONS.
2. REFER TO PRODUCT DOCUMENTATION FOR ADDITIONAL DETAILS PRIOR TO INSTALLATION AND SITE PREPARATION WORK.
- △ 3. CABLE SIZES ARE BASED ON TABLE B.52.5 OF IEC 60364-5-52 WITH THE FOLLOWING ASSERTIONS:
 - a) 90°C CONDUCTORS.
 - b) AN AMBIENT TEMPERATURE OF 30°C [86°F].
 - c) USE OF COPPER CONDUCTORS.
 - d) INSTALLATION METHOD 'C'
 IF THE AMBIENT TEMPERATURE IS GREATER THAN 30°C [86°F], LARGER CONDUCTORS ARE TO BE SELECTED IN ACCORDANCE WITH THE CORRECTION FACTORS OF THE IEC.
4. SOME STRUCTURAL DETAILS HAVE BEEN OMITTED FOR THE PURPOSE OF CLARITY.

THIS DRAWING AND SPECIFICATIONS HEREIN ARE THE PROPERTY OF SCHNEIDER ELECTRIC AND SHALL NOT BE COPIED, REPRODUCED OR USED IN WHOLE OR IN PART, AS THE BASIS FOR THE MANUFACTURE OR SALE OF ITEMS WITHOUT WRITTEN PERMISSION FROM SCHNEIDER ELECTRIC. THIS DRAWING IS BASED UPON LATEST AVAILABLE INFORMATION AND IS SUBJECT TO CHANGE WITHOUT NOTICE.

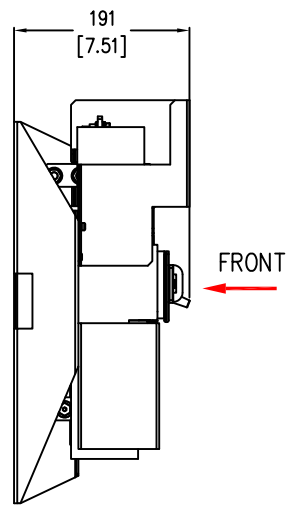


TITLE:	EASY UPS 3M BATTERY BREAKER KIT ISOMETRIC VIEW	DWG NO:	E3MBBK60K80H	REV:	0
DRAWN:	C KRISHNA	30-APR-19	ENGINEER:	COMPBELL BAI	30-APR-19
APPROVED:	FRANK ZHANG	30-APR-19	PROJECT:	SUBMITTAL DRAWINGS	SHEET 1 OF 2
					FIRST ANGLE PROJECTION

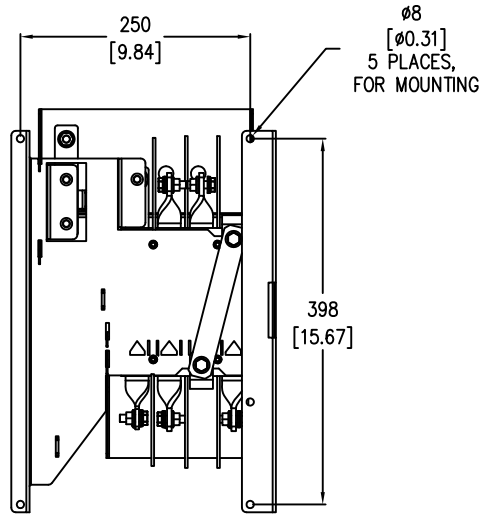
EXTERNAL VIEWS



FRONT VIEW

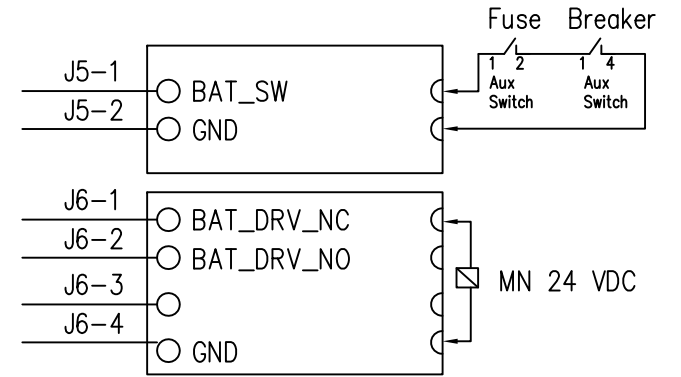


LEFT SIDE VIEW

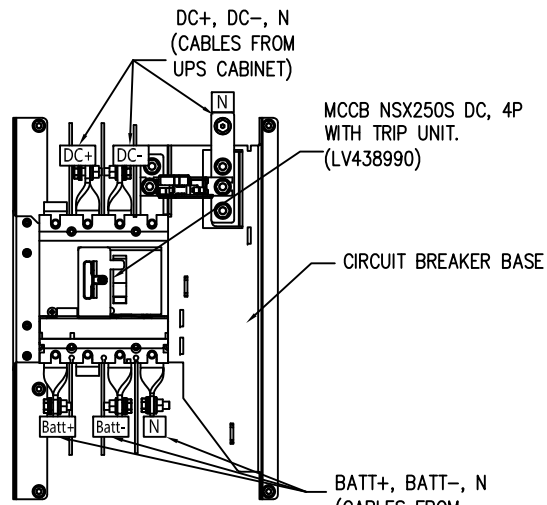


REAR VIEW

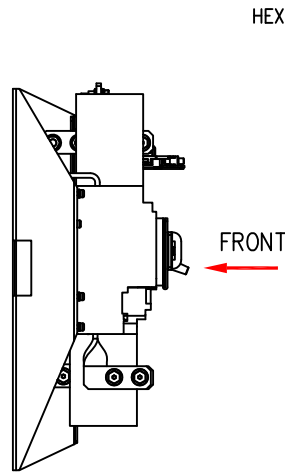
SIGNAL CABLE CONNECTION



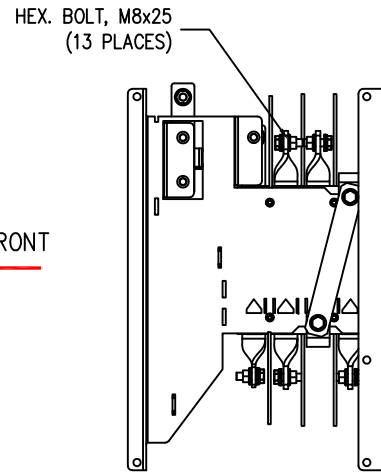
INTERNAL VIEWS



FRONT VIEW



LEFT SIDE VIEW



REAR VIEW

- NOTES:**
1. INSTALLATION SHALL COMPLY WITH ALL APPLICABLE NATIONAL, STATE AND LOCAL ELECTRICAL REGULATIONS.
 2. REFER TO PRODUCT DOCUMENTATION FOR ADDITIONAL DETAILS PRIOR TO INSTALLATION AND SITE PREPARATION WORK.
 3. ALL DIMENSIONS ARE IN MILLIMETERS [INCHES].
 4. THE WEIGHT OF THE UNIT IS 7 kg [15.43 lb].

THIS DRAWING AND SPECIFICATIONS HEREIN ARE THE PROPERTY OF SCHNEIDER ELECTRIC AND SHALL NOT BE COPIED, REPRODUCED OR USED IN WHOLE OR IN PART, AS THE BASIS FOR THE MANUFACTURE OR SALE OF ITEMS WITHOUT WRITTEN PERMISSION FROM SCHNEIDER ELECTRIC. THIS DRAWING IS BASED UPON LATEST AVAILABLE INFORMATION AND IS SUBJECT TO CHANGE WITHOUT NOTICE.



TITLE:	EASY UPS 3M BATTERY BREAKER KIT GENERAL ARRANGEMENT	DWG NO:	E3MBBK60K80H	REV.	0
DRAWN:	C KRISHNA	30-APR-19	FIRST ANGLE PROJECTION		
ENGINEER:	COMPBELL BAI	30-APR-19			
APPROVED:	FRANK ZHANG	30-APR-19			
PROJECT: SUBMITTAL DRAWINGS SHEET 2 OF 2					