

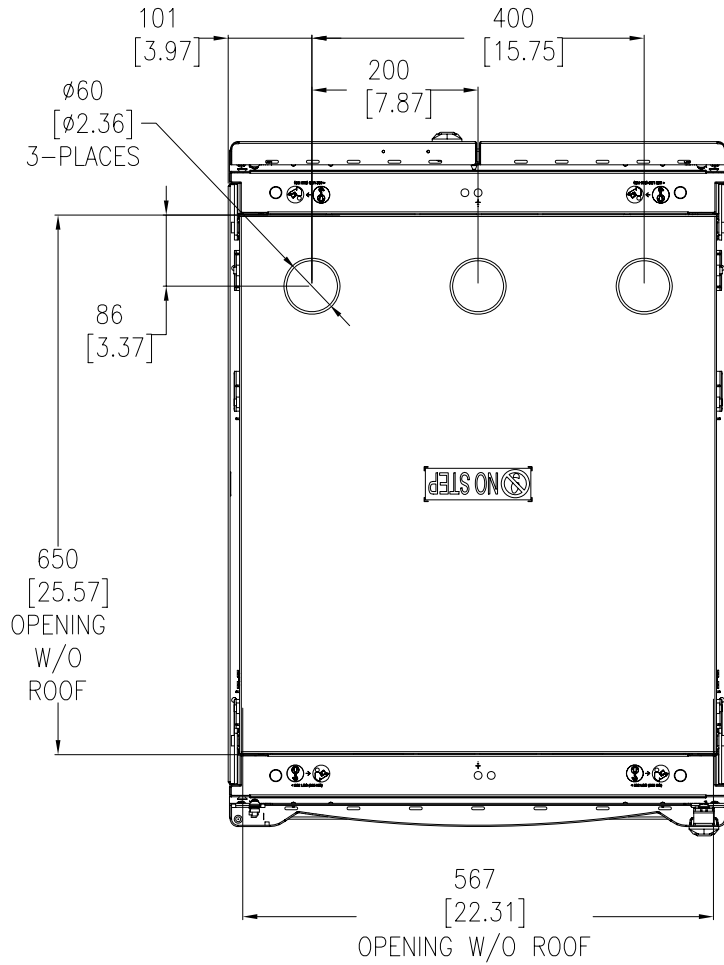
NOTES:

1. INSTALLATION MUST COMPLY WITH ALL APPLICABLE NATIONAL, STATE AND LOCAL CODES.
2. PLEASE REFER TO THE PRODUCT MANUALS FOR DETAILED INFORMATION.
3. UNLESS OTHERWISE SPECIFIED, ALL DIMENSIONS ARE IN MILLIMETERS [INCHES].
4. NET WEIGHT OF UNIT IS 81.82 Kg [180 LBS].
5. CABLE ENTRY IS TOP OR BOTTOM OF UNIT.
6. FRONT AND REAR SERVICE ACCESS REQUIRED.
7. AIR FLOW AND SERVICE REQUIREMENTS, AS WELL AS MINIMUM CLEARANCE TO FIRE SUPPRESSION SYSTEMS SHOULD BE CONSIDERED WHEN LOCATING THE ENCLOSURE.

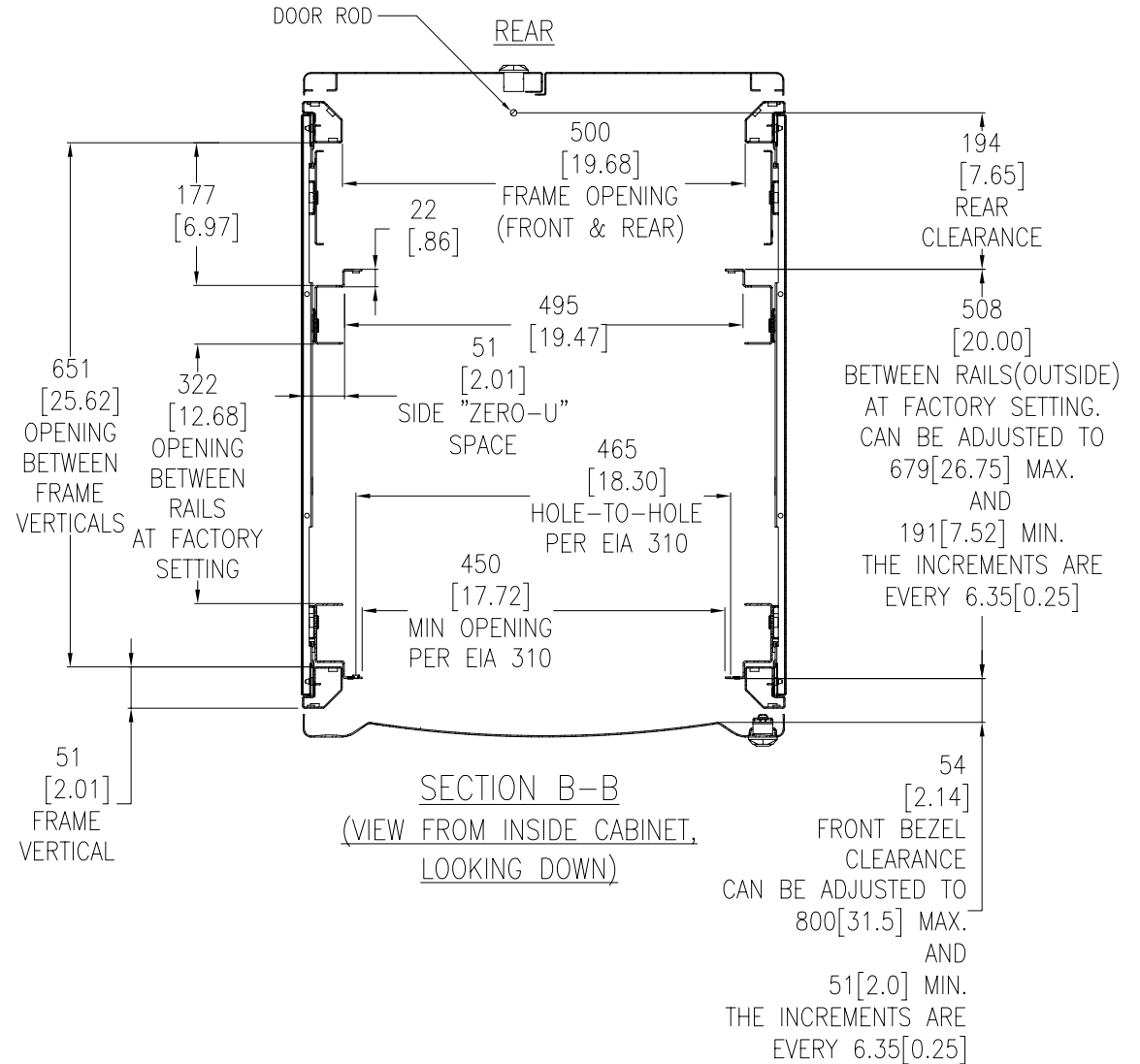
THIS DRAWING AND SPECIFICATIONS HEREIN ARE THE PROPERTY OF SCHNEIDER ELECTRIC AND SHALL NOT BE COPIED, REPRODUCED OR USED IN WHOLE OR IN PART, AS THE BASIS FOR THE MANUFACTURE OR SALE OF ITEMS WITHOUT WRITTEN PERMISSION FROM SCHNEIDER ELECTRIC. THIS DRAWING IS BASED UPON LATEST AVAILABLE INFORMATION AND IS SUBJECT TO CHANGE WITHOUT NOTICE.



TITLE:	NetShelter AV 24U ENCLOSURE WITH SIDES 600mm WIDE x 825mm DEEP MAIN MECHANICAL	DWG NO:	AR3814	REV:	0
DRAWN BY:	C KRISHNA	13-SEP-10	ENGINEER:	J.BERGESCH/S.NEAL	13-SEP-10
PROJECT:	SUBMITTAL DRAWINGS	SHEET 1 OF 3	APPROVED BY:	MLEPARD/B.SHERIDAN	13-SEP-10
					FIRST ANGLE PROJECTION



TOP VIEW
CABLE ENTRY



SECTION B-B
(VIEW FROM INSIDE CABINET,
LOOKING DOWN)

NOTES:

1. INSTALLATION MUST COMPLY WITH ALL APPLICABLE NATIONAL, STATE AND LOCAL CODES.
2. PLEASE REFER TO THE PRODUCT MANUALS FOR DETAILED INFORMATION.
3. UNLESS OTHERWISE SPECIFIED, ALL DIMENSIONS ARE IN MILLIMETERS [INCHES].

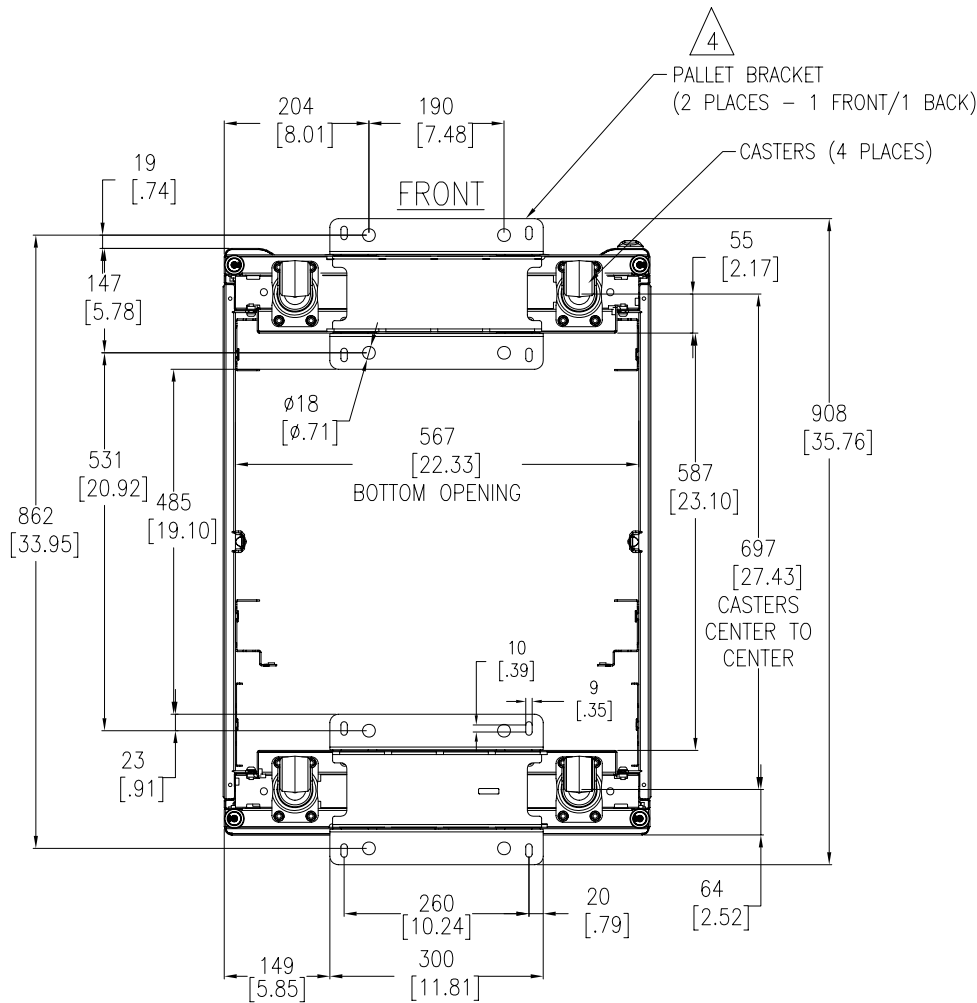
THIS DRAWING AND SPECIFICATIONS HEREIN ARE THE PROPERTY OF SCHNEIDER ELECTRIC AND SHALL NOT BE COPIED, REPRODUCED OR USED IN WHOLE OR IN PART, AS THE BASIS FOR THE MANUFACTURE OR SALE OF ITEMS WITHOUT WRITTEN PERMISSION FROM SCHNEIDER ELECTRIC. THIS DRAWING IS BASED UPON LATEST AVAILABLE INFORMATION AND IS SUBJECT TO CHANGE WITHOUT NOTICE.



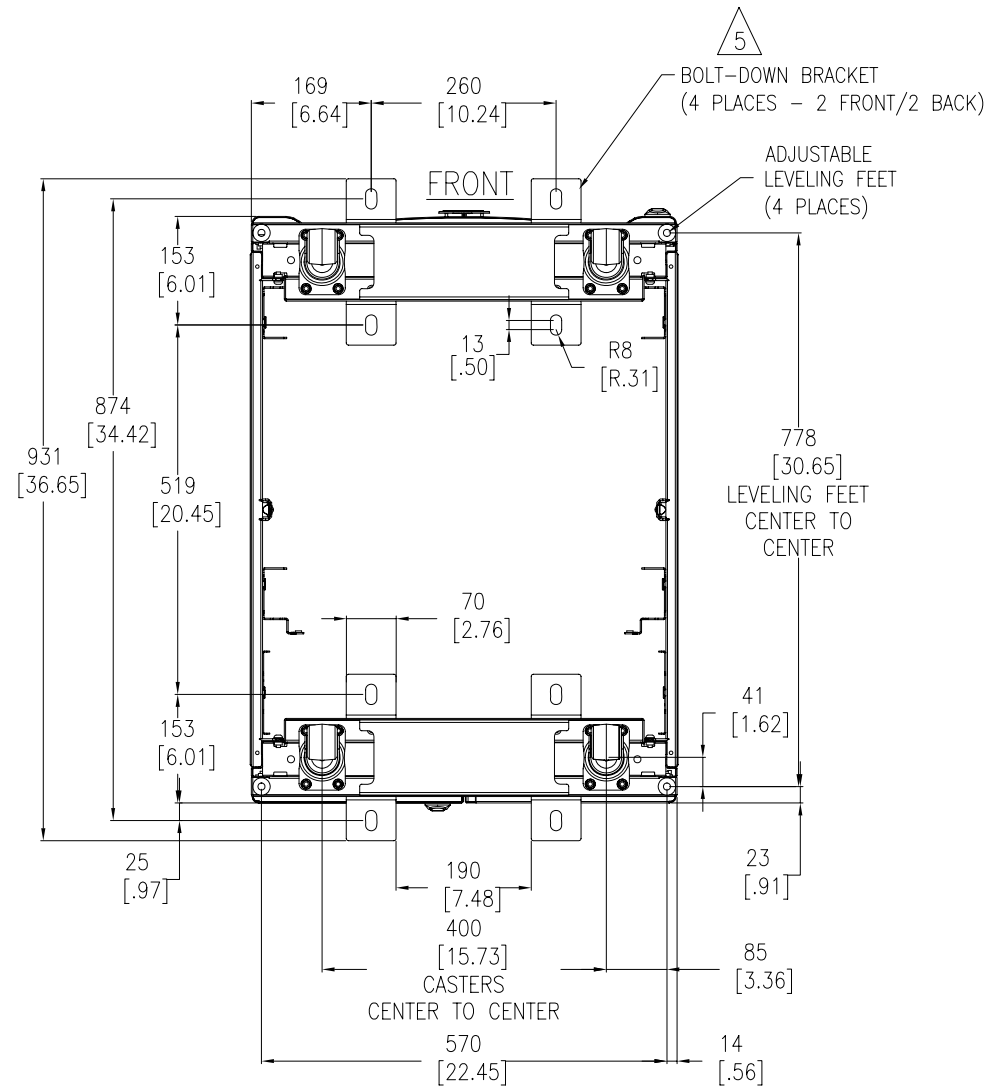
TITLE:
NetShelter AV 24U
ENCLOSURE WITH SIDES
600mm WIDE x 825mm DEEP
TOP AND SECTION VIEWS

PROJECT: SUBMITTAL DRAWINGS SHEET 2 OF 3

DWG NO:	AR3814	REV:	0
DRAWN BY:	C KRISHNA	13-SEP-10	FIRST ANGLE PROJECTION
ENGINEER:	J.BERGESCH/S.NEAL	13-SEP-10	
APPROVED BY:	M.LEPARD/B.SHERIDAN	13-SEP-10	



BOTTOM VIEW
(WITH PALLET BRACKETS
(CAN BE USED FOR ANCHORING))



BOTTOM VIEW
(WITH OPTIONAL BOLT-DOWN BRACKETS
FOR ANCHORING))

NOTES:

1. INSTALLATION SHALL COMPLY WITH ALL APPLICABLE NATIONAL, STATE AND LOCAL CODES.
2. PLEASE REFER TO PRODUCT MANUALS FOR ADDITIONAL DETAILS.
3. UNLESS OTHERWISE SPECIFIED, ALL DIMENSIONS ARE IN MILLIMETERS [INCHES].
- △ 4. ANCHORING CAN BE INSTALLED EITHER INSIDE OR OUTSIDE THE NetShelter WITH ONE BRACKET AT FRONT AND ONE IN BACK.
- △ 5. BOLT-DOWN KIT (SKU# AR7701) IS OPTIONAL AND MUST BE ORDERED SEPERATELY.

THIS DRAWING AND SPECIFICATIONS HEREIN ARE THE PROPERTY OF SCHNEIDER ELECTRIC AND SHALL NOT BE COPIED, REPRODUCED OR USED IN WHOLE OR IN PART, AS THE BASIS FOR THE MANUFACTURE OR SALE OF ITEMS WITHOUT WRITTEN PERMISSION FROM SCHNEIDER ELECTRIC. THIS DRAWING IS BASED UPON LATEST AVAILABLE INFORMATION AND IS SUBJECT TO CHANGE WITHOUT NOTICE.

**Schneider
Electric**

TITLE:
NetShelter AV 24U
ENCLOSURE WITH SIDES
600mm WIDE x 825mm DEEP
BOTTOM VIEWS

PROJECT: SUBMITTAL DRAWINGS SHEET 3 OF 3

DWG NO:	AR3814	REV:	0
DRAWN BY:	C KRISHNA	13-SEP-10	FIRST
ENGINEER:	J.BERGESCH/S.NEAL	13-SEP-10	ANGLE
APPROVED BY:	M.LEPARD/B.SHERIDAN	13-SEP-10	PROJECTION