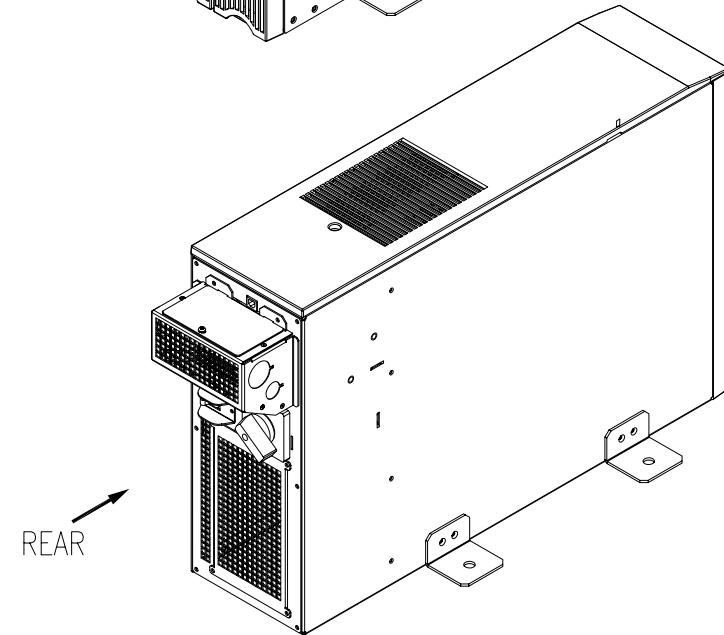
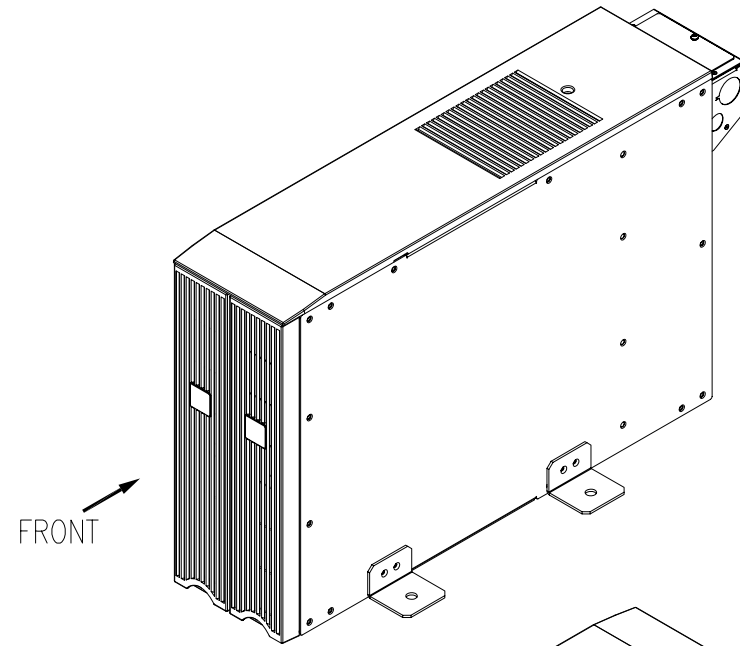


ISOMETRIC VIEWS (RACK MOUNT)



ISOMETRIC VIEWS (TOWER MOUNT)

NOTES:

1. PLEASE REFER TO APC PRODUCT MANUAL FOR DETAILS.
2. INSTALLATION MUST COMPLY WITH NATIONAL AND LOCAL ELECTRICAL REGULATIONS.

THIS DRAWING AND SPECIFICATIONS HEREIN ARE THE PROPERTY OF AMERICAN POWER CONVERSION AND SHALL NOT BE COPIED, REPRODUCED OR USED IN WHOLE OR IN PART, AS THE BASIS FOR THE MANUFACTURE OR SALE OF ITEMS WITHOUT WRITTEN PERMISSION FROM APC. THIS DRAWING IS BASED UPON LATEST AVAILABLE INFORMATION AND IS SUBJECT TO CHANGE WITHOUT NOTICE.



TITLE:
ISOLATION TRANSFORMER 10kVA
INPUT: 200-240V AC 2PH/400V AC 2PH
OUTPUT: 200-240V AC/120V AC
ISOMETRIC VIEW

PROJECT: SUBMITTAL DRAWINGS SHEET 1 OF 3

DWG NO: APTF10KW01-MM1

DRAWN: JAYAPRAKASH 25-SEP-07

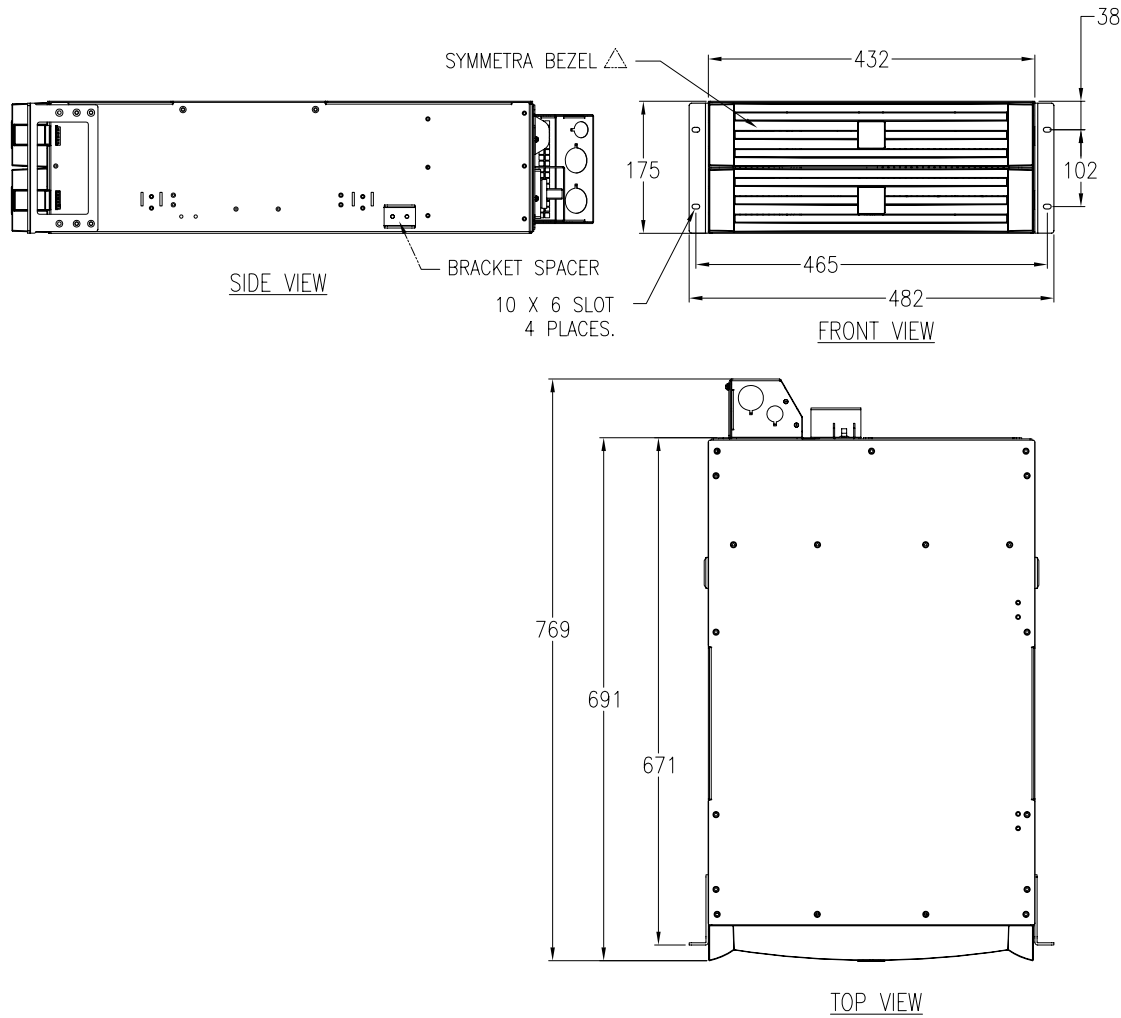
ENGINEER: K.WHITE/B.BUNGCAYAO 04-OCT-07

APPROVED: M.TAVARES 04-OCT-07

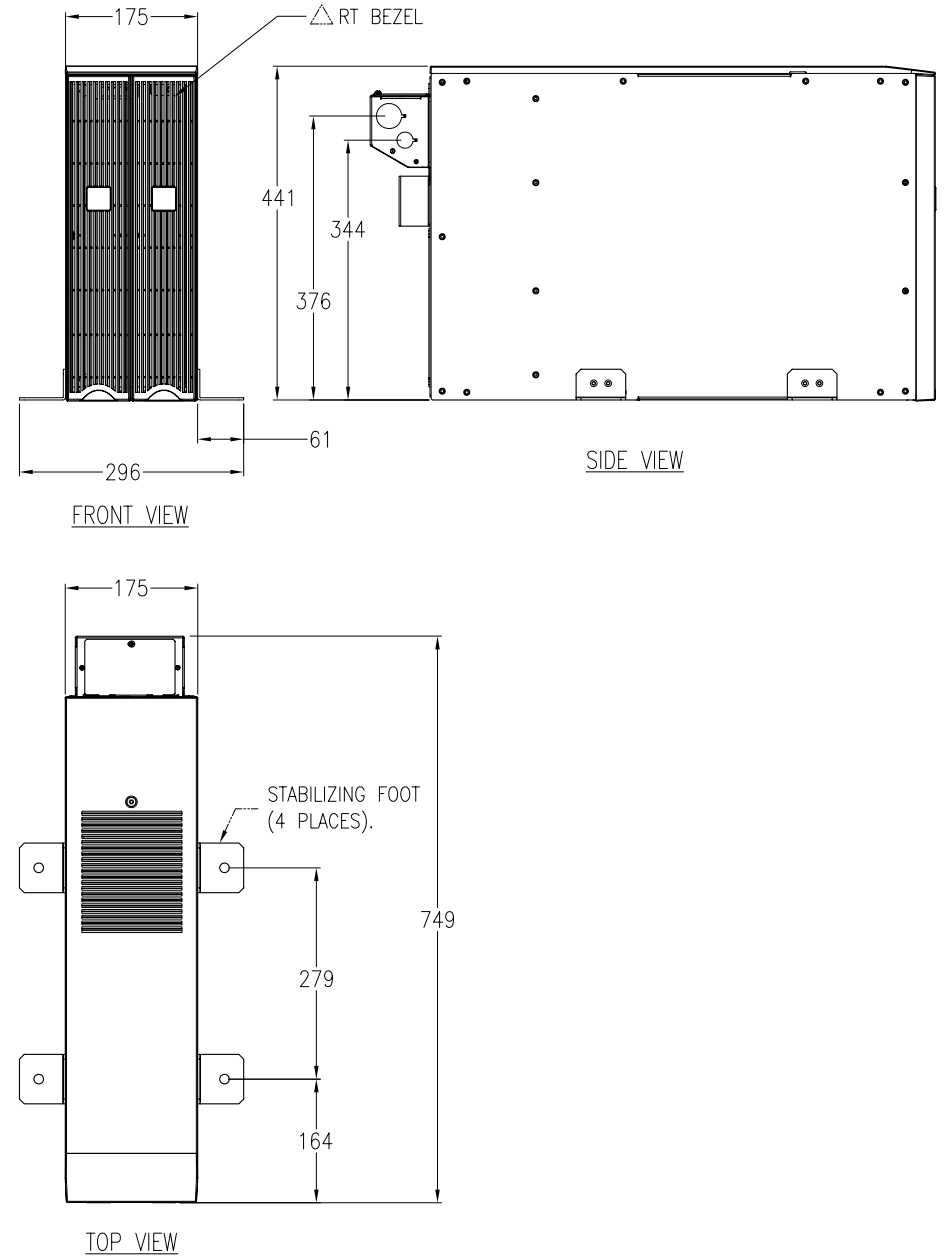
REV: 0

FIRST ANGLE PROJECTION

RACK MOUNT CONFIGURATION



TOWER MOUNT CONFIGURATION



NOTES:

1. PLEASE REFER TO APC PRODUCT MANUAL FOR DETAILS.
2. ALL DIMENSIONS ARE IN MILLIMETERS.
3. WEIGHT OF UNIT IS 100 kg.
4. UNIT SHIPPED WITH BOTH RT AND LYNX BEZELS.
- \triangle 5. EITHER SYMMETRA BEZELS OR RT BEZELS CAN BE USED FOR THIS OPTION.
6. INSTALLATION MUST COMPLY WITH NATIONAL AND LOCAL ELECTRICAL REGULATIONS.

THIS DRAWING AND SPECIFICATIONS HEREIN ARE THE PROPERTY OF AMERICAN POWER CONVERSION AND SHALL NOT BE COPIED, REPRODUCED OR USED IN WHOLE OR IN PART, AS THE BASIS FOR THE MANUFACTURE OR SALE OF ITEMS WITHOUT WRITTEN PERMISSION FROM APC. THIS DRAWING IS BASED UPON LATEST AVAILABLE INFORMATION AND IS SUBJECT TO CHANGE WITHOUT NOTICE.

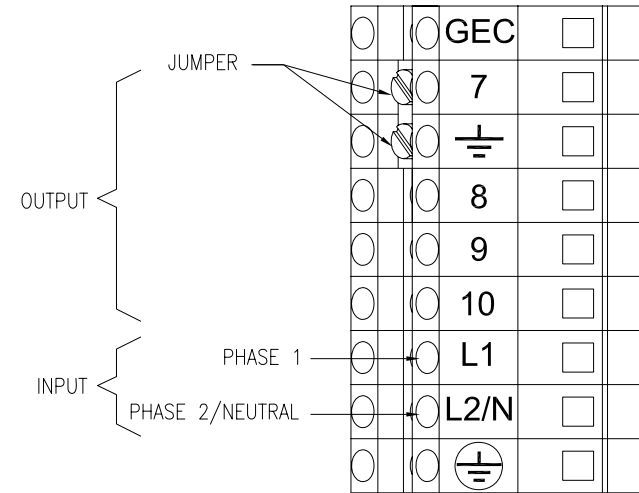
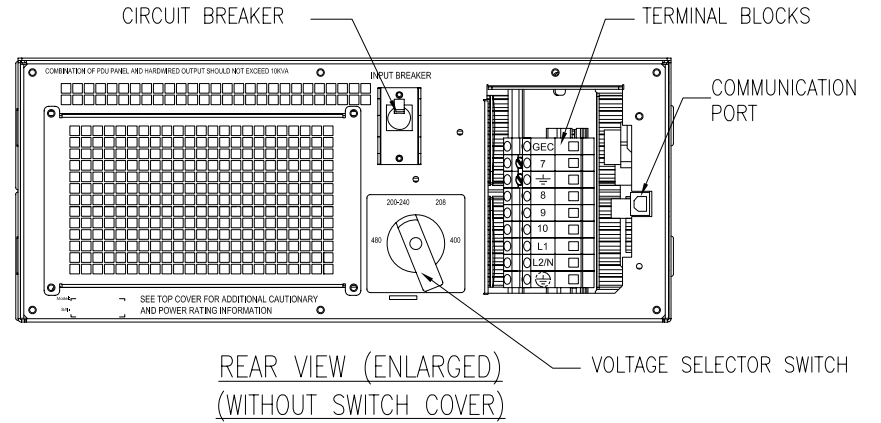
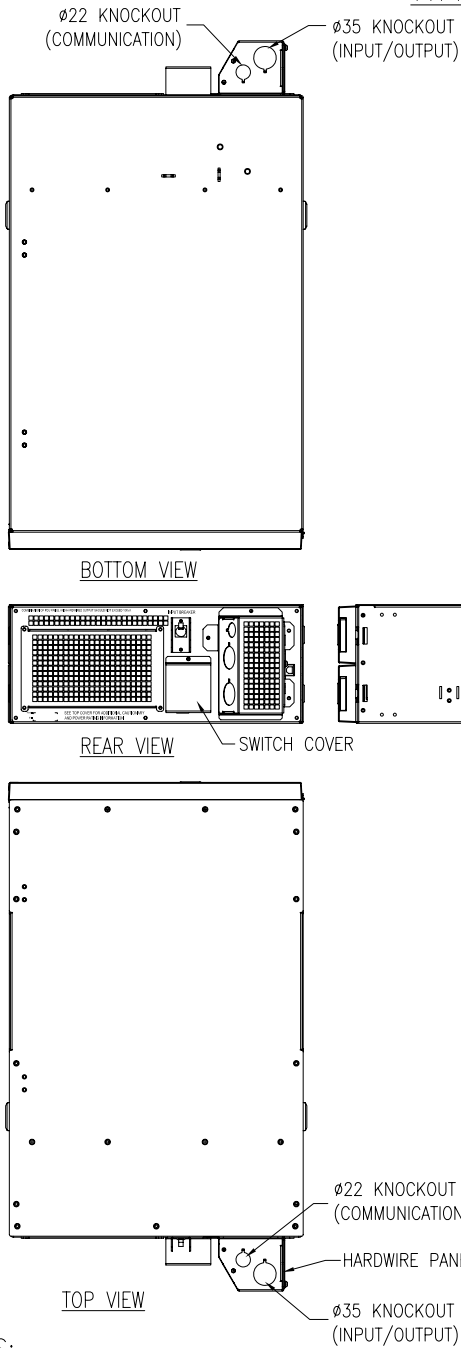
APC
www.apc.com

TITLE:
ISOLATION TRANSFORMER 10kVA
INPUT: 200-240V AC 2PH/400V AC 2PH
OUTPUT: 200-240V AC/120V AC
MAIN MECHANICAL
PROJECT: SUBMITTAL DRAWINGS SHEET 2 OF 3

DWG NO: APTF10KW01-MM2
DRAWN: JAYAPRAKASH
ENGINEER: K.WHITE/B.BUNGCAYAO
APPROVED: M.TAVARES

REV: 0
FIRST ANGLE PROJECTION

TYPICAL DETAILS FOR RACK MOUNT AND TOWER MOUNT CONFIGURATION



TERMINAL BLOCKS
(ENLARGED VIEW)

TERMINAL BLOCK CONNECTIONS FOR OUTPUT
TORQUE REQUIRED IS 1.5 N-m

INPUT NO OF PHASE	INPUT VOLTAGE (AC)		OUTPUT VOLTAGE AT 60A (10kVA UNITS) TERMINAL BLOCK CONNECTIONS			
	SWITCH POSITION	SWITCH CONTACTS (CLOSE POSITION)	7, 10	7, 9	8, 10	8, 7
SINGLE PHASE	200-240	1-2, 5-6, 13-14	200/240V	208V	100/120V	100/120V
	208V	3-4, 7-8, 13-14	240V	208V	120V	120V
TWO PHASE	400V	3-4, 11-12	220-240V	--	--	--
	480V	1-2, 9-10	240V	208V	120V	120V

NOTES:

- PLEASE REFER TO APC PRODUCT MANUAL FOR DETAILS.
- ALL DIMENSIONS ARE IN MILLIMETERS.
- INSTALLATION MUST COMPLY WITH NATIONAL AND LOCAL ELECTRICAL REGULATIONS.

THIS DRAWING AND SPECIFICATIONS HEREIN ARE THE PROPERTY OF AMERICAN POWER CONVERSION AND SHALL NOT BE COPIED, REPRODUCED OR USED IN WHOLE OR IN PART, AS THE BASIS FOR THE MANUFACTURE OR SALE OF ITEMS WITHOUT WRITTEN PERMISSION FROM APC. THIS DRAWING IS BASED UPON LATEST AVAILABLE INFORMATION AND IS SUBJECT TO CHANGE WITHOUT NOTICE.



TITLE: ISOLATION TRANSFORMER 10kVA
INPUT: 200-240V AC 2PH/400V AC 2PH
OUTPUT: 200-240V AC/120V AC
REAR VIEW DETAILS

PROJECT: SUBMITTAL DRAWINGS SHEET 3 OF 3

DWG NO: APTF10KW01-MM3

ENGINEER: K.WHITE/B.BUNGCAYAO

APPROVED: M.TAVARES

REV: 0

FIRST ANGLE PROJECTION