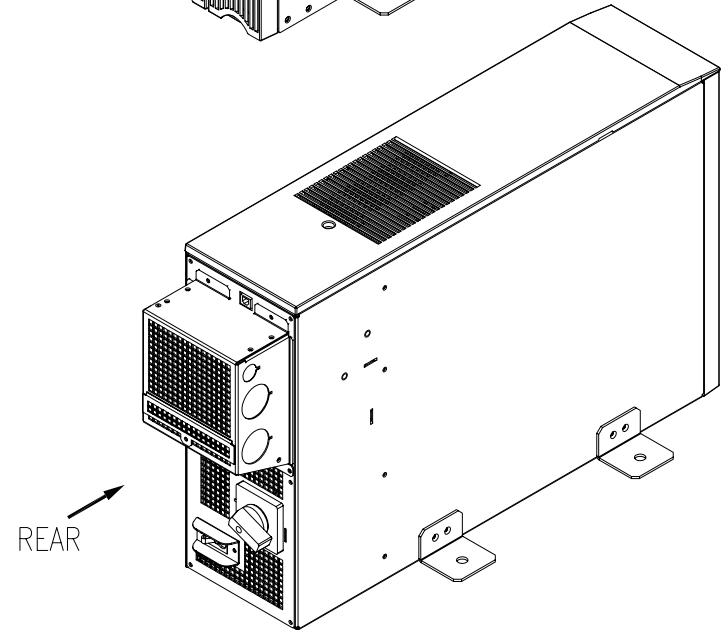
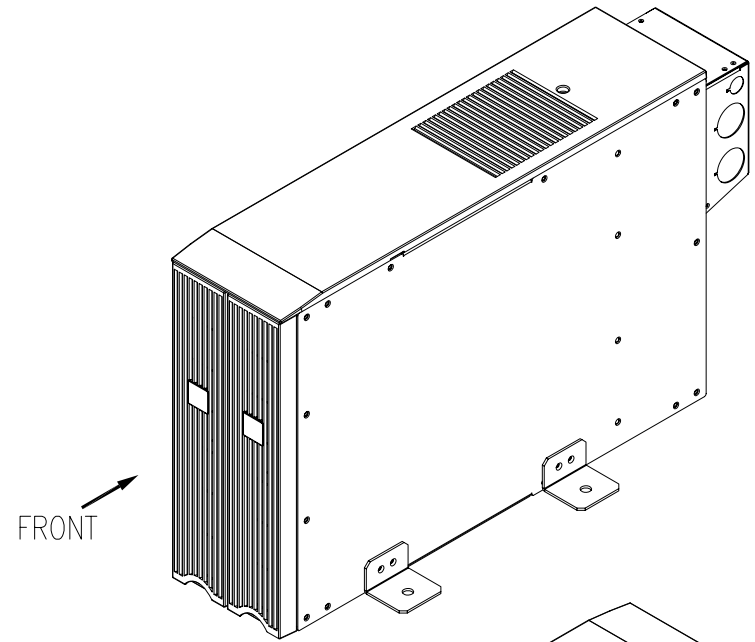


ISOMETRIC VIEWS (RACK MOUNT)



ISOMETRIC VIEWS (TOWER MOUNT)

NOTES:

1. PLEASE REFER TO APC PRODUCT MANUAL FOR DETAILS.
2. INSTALLATION MUST COMPLY WITH ALL APPLICABLE NATIONAL AND LOCAL CODES.

THIS DRAWING AND SPECIFICATIONS HEREIN ARE THE PROPERTY OF AMERICAN POWER CONVERSION AND SHALL NOT BE COPIED, REPRODUCED OR USED IN WHOLE OR IN PART, AS THE BASIS FOR THE MANUFACTURE OR SALE OF ITEMS WITHOUT WRITTEN PERMISSION FROM APC. THIS DRAWING IS BASED UPON LATEST AVAILABLE INFORMATION AND IS SUBJECT TO CHANGE WITHOUT NOTICE.



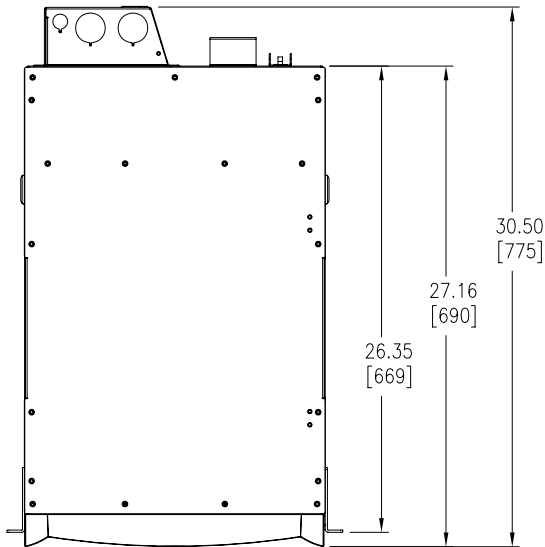
TITLE: ISOLATION TRANSFORMER 20kVA  
 INPUT: 200-240V AC 2PH/400V AC 2PH  
 OUTPUT: 200-240V AC/120V AC  
 ISOMETRIC VIEW  
 PROJECT: SUBMITTAL DRAWINGS SHEET 1 OF 3

DWG NO: APTF20KW01-MM1  
 DRAWN: JAYAPRAKASH 17-SEP-07  
 ENGINEER: K.WHITE/B.BUNGAYAO 29-SEP-07  
 APPROVED: M.TAVARES 29-SEP-07

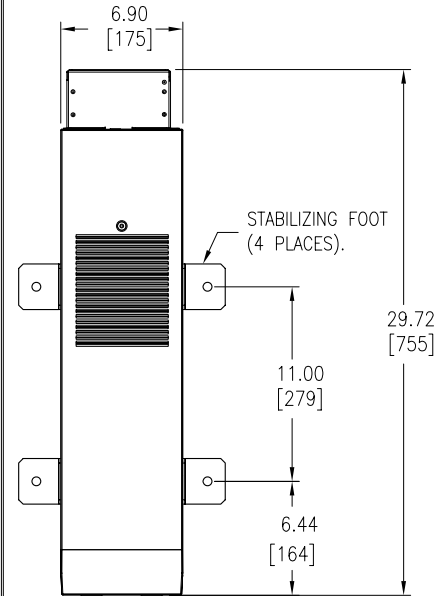
REV: 0  
 THIRD ANGLE PROJECTION

# RACK MOUNT CONFIGURATION

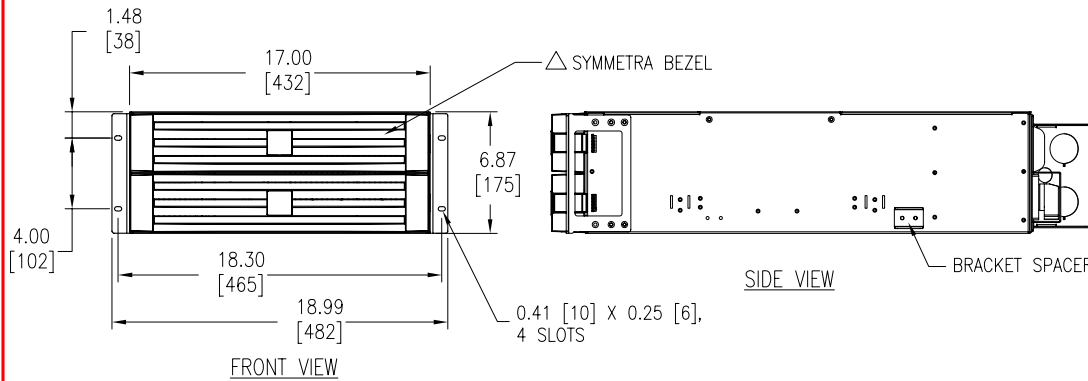
# TOWER MOUNT CONFIGURATION



TOP VIEW

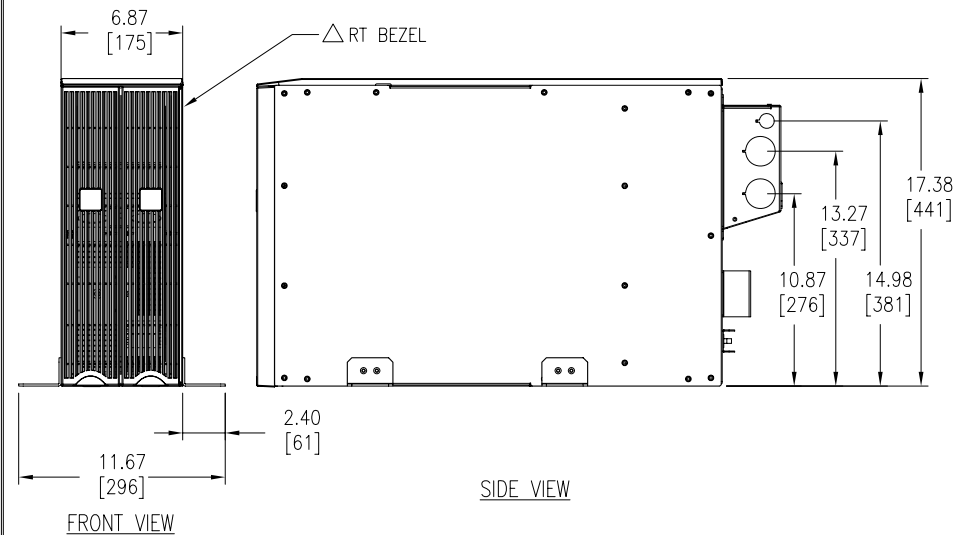


TOP VIEW



FRONT VIEW

SIDE VIEW



FRONT VIEW

SIDE VIEW

**NOTES:**

1. PLEASE REFER TO APC PRODUCT MANUAL FOR DETAILS.
2. ALL DIMENSIONS ARE IN INCHES [MILLIMETERS].
3. WEIGHT OF UNIT IS 260 LBS [118.18 kg].
4. UNIT SHIPPED WITH BOTH SYMMETRA BEZELS AND RT BEZELS.
- △ 5. EITHER SYMMETRA BEZELS OR RT BEZELS CAN BE USED FOR THIS OPTION.
6. INSTALLATION MUST COMPLY WITH ALL APPLICABLE NATIONAL AND LOCAL CODES.

THIS DRAWING AND SPECIFICATIONS HEREIN ARE THE PROPERTY OF AMERICAN POWER CONVERSION AND SHALL NOT BE COPIED, REPRODUCED OR USED IN WHOLE OR IN PART, AS THE BASIS FOR THE MANUFACTURE OR SALE OF ITEMS WITHOUT WRITTEN PERMISSION FROM APC. THIS DRAWING IS BASED UPON LATEST AVAILABLE INFORMATION AND IS SUBJECT TO CHANGE WITHOUT NOTICE.

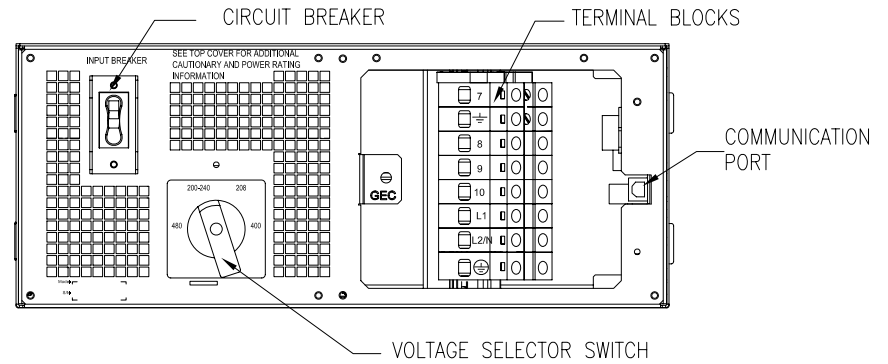
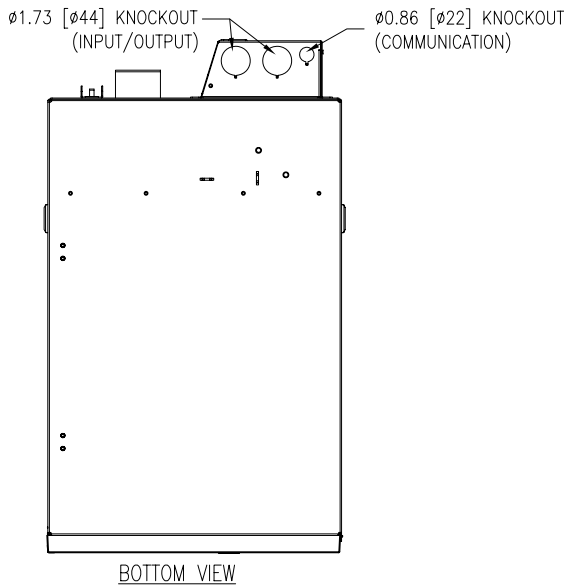
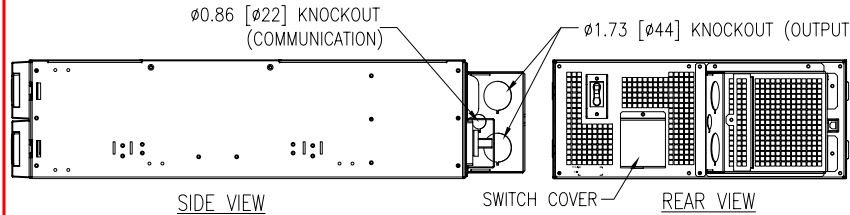
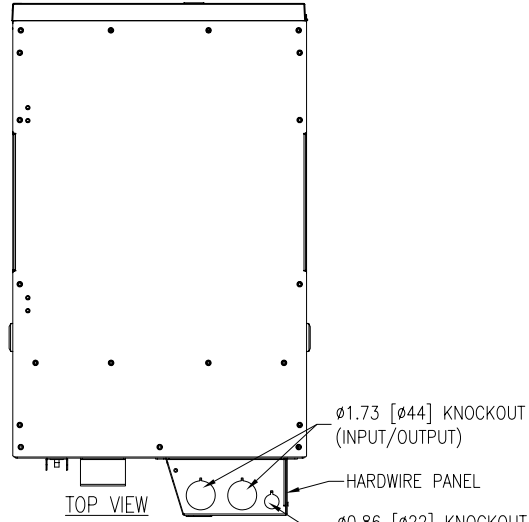


TITLE: ISOLATION TRANSFORMER 20KVA  
 INPUT: 200-240V AC 2PH/400V AC 2PH  
 OUTPUT: 200-240V AC/120V AC  
 MAIN MECHANICAL  
 PROJECT: SUBMITTAL DRAWINGS SHEET 2 OF 3

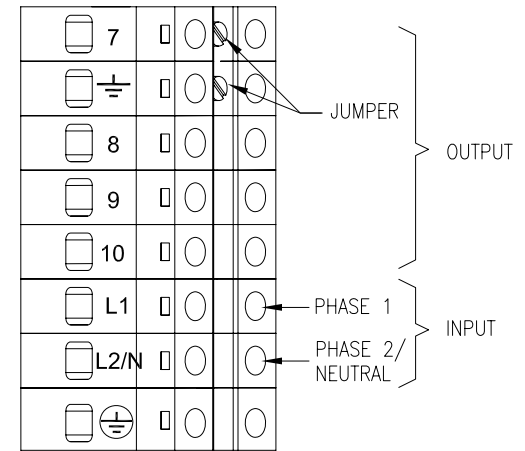
DWG NO: APTF20KW01-MM2  
 DRAWN: JAYAPRAKASH 17-SEP-07  
 ENGINEER: K.WHITE/B.BUNGAYAO 29-SEP-07  
 APPROVED: M.TAVARES 29-SEP-07

REV. 0  
 THIRD ANGLE  
 PROJECTION

# TYPICAL DETAILS FOR RACK MOUNT AND TOWER MOUNT CONFIGURATION



REAR VIEW (ENLARGED)  
(WITHOUT HARDWIRE PANEL & SWITCH COVER)



TERMINAL BLOCKS (ENLARGED VIEW)

TERMINAL BLOCK CONNECTIONS FOR OUTPUT  
TORQUE REQUIRED IS 22.1 in-lbs [2.5 N-m]

INPUT NO OF PHASE	INPUT VOLTAGE (AC)		OUTPUT VOLTAGE AT 100A (20kVA UNITS)			
	SWITCH POSITION	SWITCH CONTACTS (CLOSE POSITION)	TERMINAL BLOCK CONNECTIONS			
SINGLE PHASE	200-240	1-2, 5-6, 13-14	200/240V	208V	100/120V	100/120V
	208V	3-4, 7-8, 13-14	240V	208V	120V	120V
TWO PHASE	400V	3-4, 11-12	220-240V	--	--	--
	480V	1-2, 9-10	240V	208V	120V	120V

NOTES:

- PLEASE REFER TO APC PRODUCT MANUAL FOR DETAILS.
- ALL DIMENSIONS ARE IN INCHES [MILLIMETERS].
- INSTALLATION MUST COMPLY WITH ALL APPLICABLE NATIONAL AND LOCAL CODES.

THIS DRAWING AND SPECIFICATIONS HEREIN ARE THE PROPERTY OF AMERICAN POWER CONVERSION AND SHALL NOT BE COPIED, REPRODUCED OR USED IN WHOLE OR IN PART, AS THE BASIS FOR THE MANUFACTURE OR SALE OF ITEMS WITHOUT WRITTEN PERMISSION FROM APC. THIS DRAWING IS BASED UPON LATEST AVAILABLE INFORMATION AND IS SUBJECT TO CHANGE WITHOUT NOTICE.



TITLE:  
ISOLATION TRANSFORMER 20kVA  
INPUT: 200-240V AC 2PH/400V AC 2PH  
OUTPUT: 200-240V AC/120V AC  
REAR AND SECTION VIEWS

DWG NO: APTF20KW01-MM3

REV. 1

DRAWN: JAYAPRAKASH	18-OCT-07	THIRD ANGLE PROJECTION
ENGINEER: K.WHITE/B.BUNGCCAYAO	18-OCT-07	
APPROVED: M.TAVARES	18-OCT-07	

PROJECT: SUBMITTAL DRAWINGS | SHEET 3 OF 3