

FRONT  
ISOMETRIC VIEW

THIS DRAWING AND SPECIFICATIONS HEREIN ARE THE PROPERTY OF SCHNEIDER ELECTRIC AND SHALL NOT BE COPIED, REPRODUCED OR USED IN WHOLE OR IN PART, AS THE BASIS FOR THE MANUFACTURE OR SALE OF ITEMS WITHOUT WRITTEN PERMISSION FROM SCHNEIDER ELECTRIC. THIS DRAWING IS BASED UPON LATEST AVAILABLE INFORMATION AND IS SUBJECT TO CHANGE WITHOUT NOTICE.



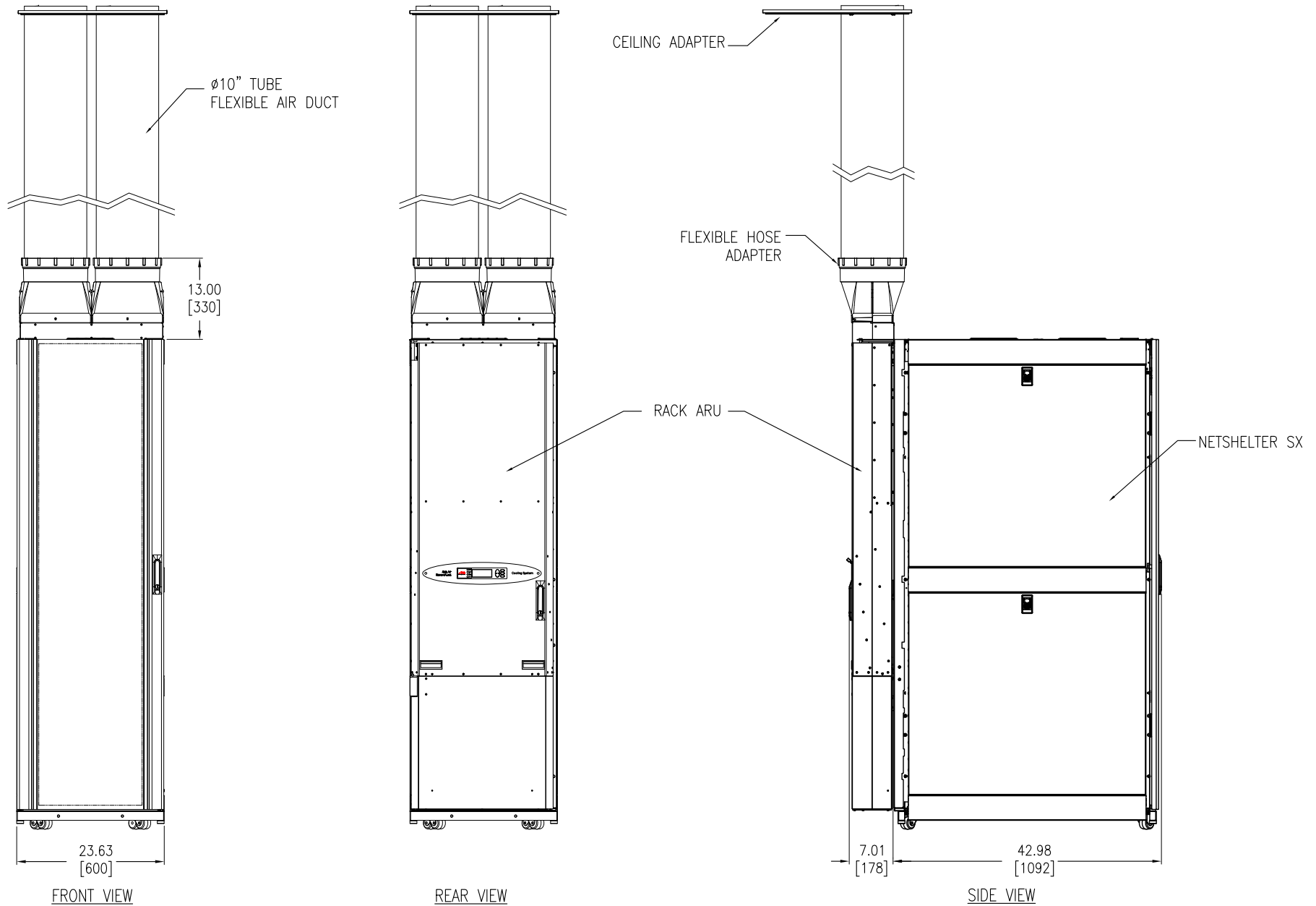
TITLE: NETWORKAIR PRODUCT  
RACK AIR REMOVAL UNIT  
100-240V, 50/60Hz  
FOR NETSHELTER SX 42U-24Wx42D  
ISOMETRIC

DWG NO: NSH+ACF400-TL-ISO  
DRAWN BY: JAYAPRAKASH/MWC  
ENGINEER: I.ROCHOW/D.RODEN

REV. 1  
THIRD  
ANGLE  
PROJ

PROJECT: STANDARD PRODUCT DRAWING | SHEET 1 OF 3

APPROVED BY: R.HANSEN/C.ZALDIVAR  
31-OCT-12  
31-OCT-12  
31-OCT-12



**NOTES:**

1. INSTALLATION SHALL COMPLY WITH ALL APPLICABLE NATIONAL AND LOCAL CODES.
2. UNLESS OTHERWISE SPECIFIED, ALL DIMENSIONS ARE IN INCHES [MILLIMETERS].
3. AIR REMOVAL UNIT (ARU) HAVE TO BE INSTALLED ON THE REAR OF THE NETSHELTER-SX REPLACING THE ORIGINAL REAR DOOR OF THE ENCLOSURE

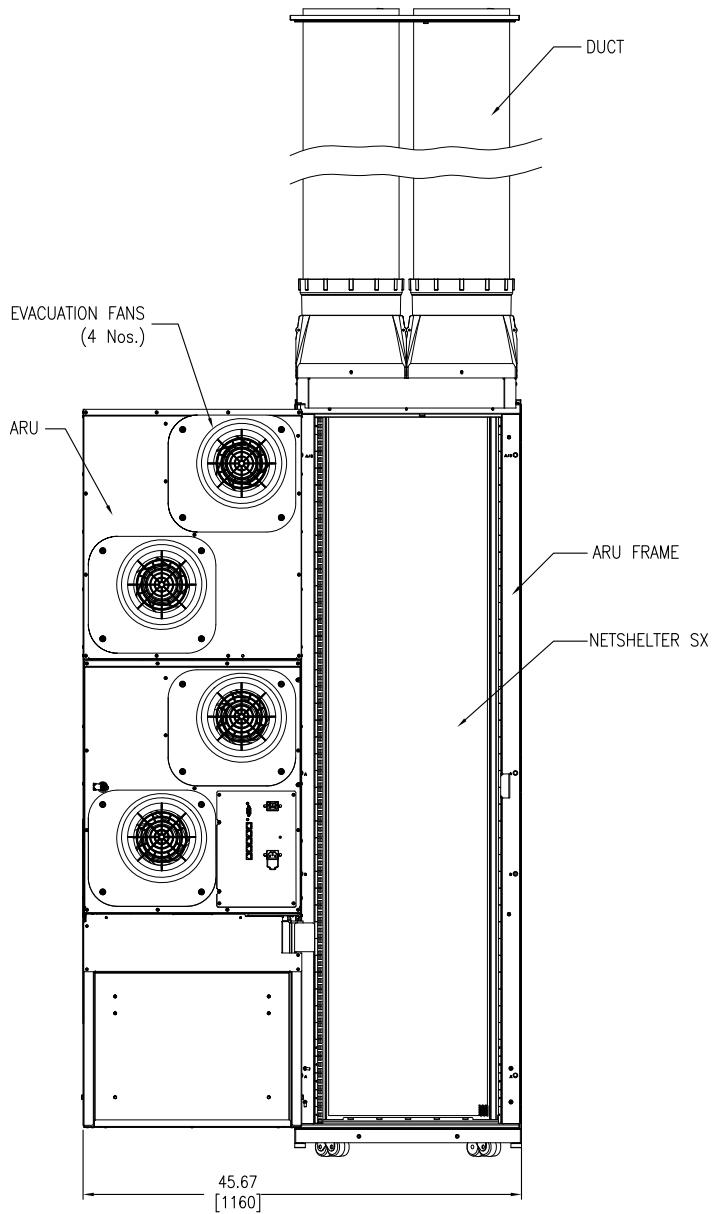
THIS DRAWING AND SPECIFICATIONS HEREIN ARE THE PROPERTY OF SCHNEIDER ELECTRIC AND SHALL NOT BE COPIED, REPRODUCED OR USED IN WHOLE OR IN PART, AS THE BASIS FOR THE MANUFACTURE OR SALE OF ITEMS WITHOUT WRITTEN PERMISSION FROM SCHNEIDER ELECTRIC. THIS DRAWING IS BASED UPON LATEST AVAILABLE INFORMATION AND IS SUBJECT TO CHANGE WITHOUT NOTICE.



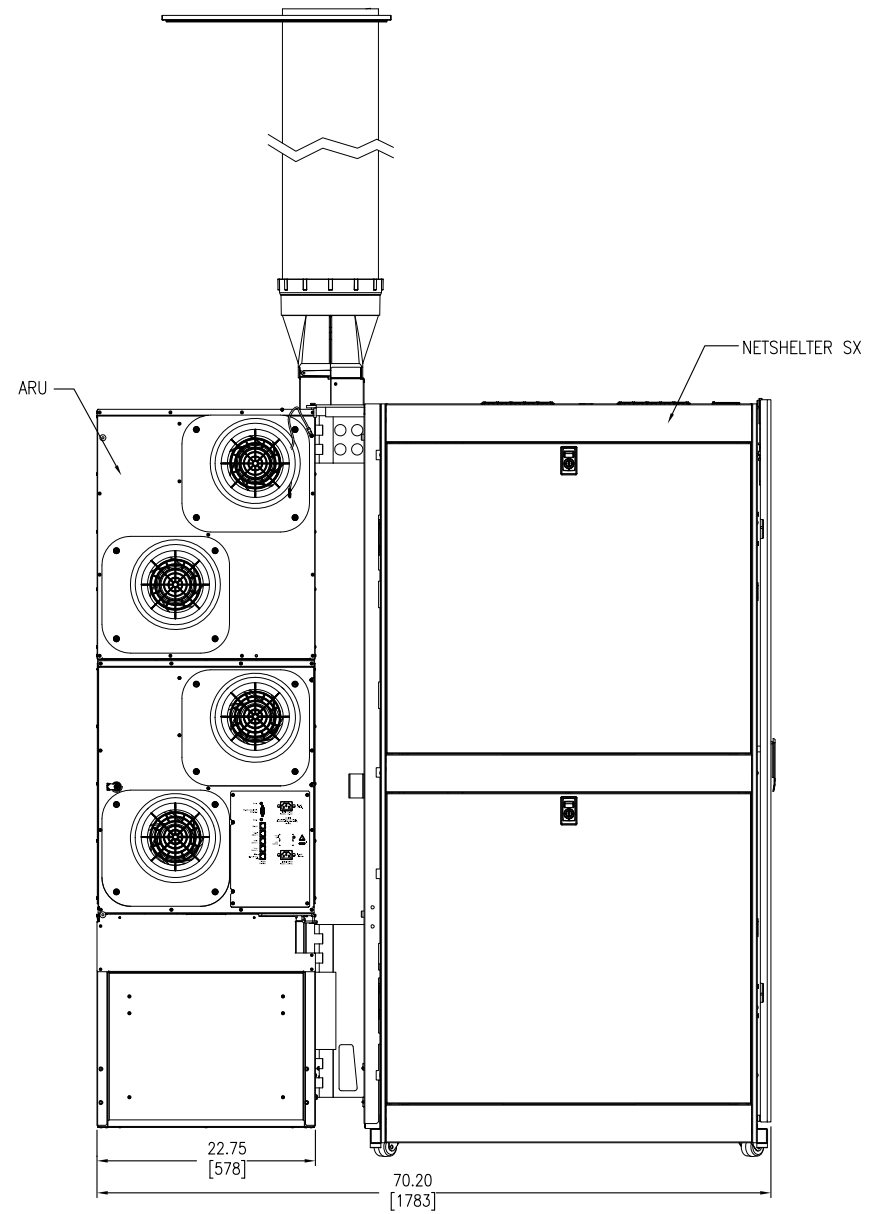
TITLE: NETWORKAIR PRODUCT  
RACK AIR REMOVAL UNIT  
100-240V, 50/60Hz  
FOR NETSHELTER SX 42U-24Wx42D  
TYPICAL LAYOUT 1  
PROJECT: STANDARD PRODUCT DRAWING | SHEET 2 OF 3

DWG NO: NSH+ACF400-TL2  
DRAWN BY: JAYAPRAKASH/MWC  
ENGINEER: I.ROCHOW/D.RODEN  
APPROVED BY: R.HANSEN/C.ZALDVAR

REV. 1  
THIRD ANGLE PROJ



REAR VIEW  
(REAR DOOR/ARU OPENED)



SIDE VIEW  
(REAR DOOR/ARU OPENED)

**NOTES:**

1. INSTALLATION SHALL COMPLY WITH ALL APPLICABLE NATIONAL AND LOCAL CODES.
2. UNLESS OTHERWISE SPECIFIED, ALL DIMENSIONS ARE IN INCHES [MILLIMETERS].

THIS DRAWING AND SPECIFICATIONS HEREIN ARE THE PROPERTY OF SCHNEIDER ELECTRIC AND SHALL NOT BE COPIED, REPRODUCED OR USED IN WHOLE OR IN PART, AS THE BASIS FOR THE MANUFACTURE OR SALE OF ITEMS WITHOUT WRITTEN PERMISSION FROM SCHNEIDER ELECTRIC. THIS DRAWING IS BASED UPON LATEST AVAILABLE INFORMATION AND IS SUBJECT TO CHANGE WITHOUT NOTICE.



TITLE: NETWORKAIR PRODUCT  
RACK AIR REMOVAL UNIT  
100-240V, 50/60Hz  
FOR NETSHELTER SX 42U-24Wx42D  
TYPICAL LAYOUT 2

DWG NO: NSH+ACF400-TL2

REV. 1

DRAWN BY: JAYAPRAKASH/MWC 31-OCT-12

ENGINEER: I.ROCHOW/D.RODEN 31-OCT-12

PROJECT: STANDARD PRODUCT DRAWING SHEET 3 OF 3

APPROVED BY: R.HANSEN/C.ZALDVAR 31-OCT-12

THIRD  
ANGLE  
PROJ