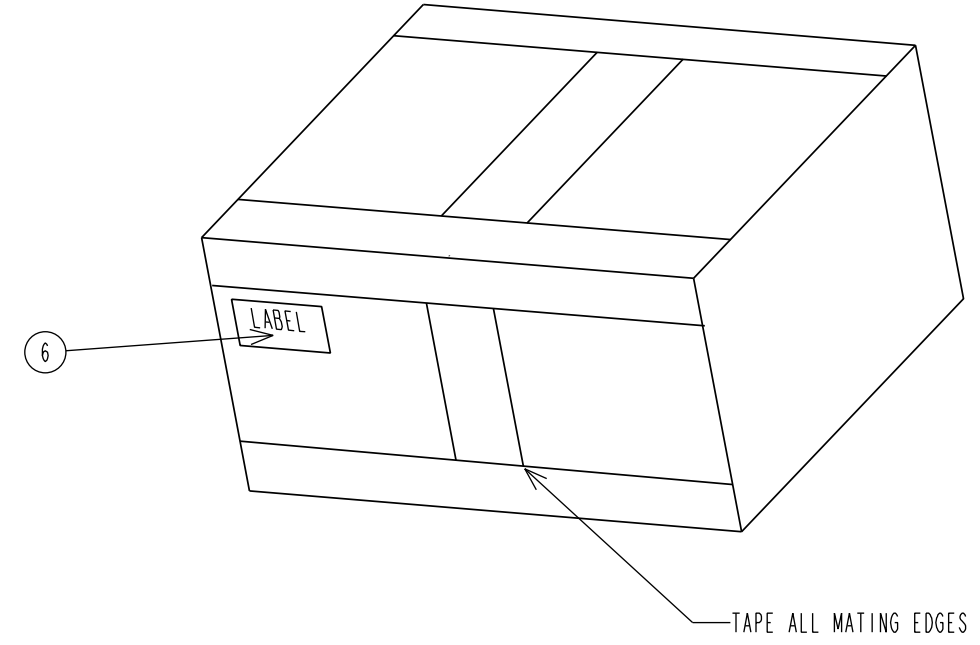
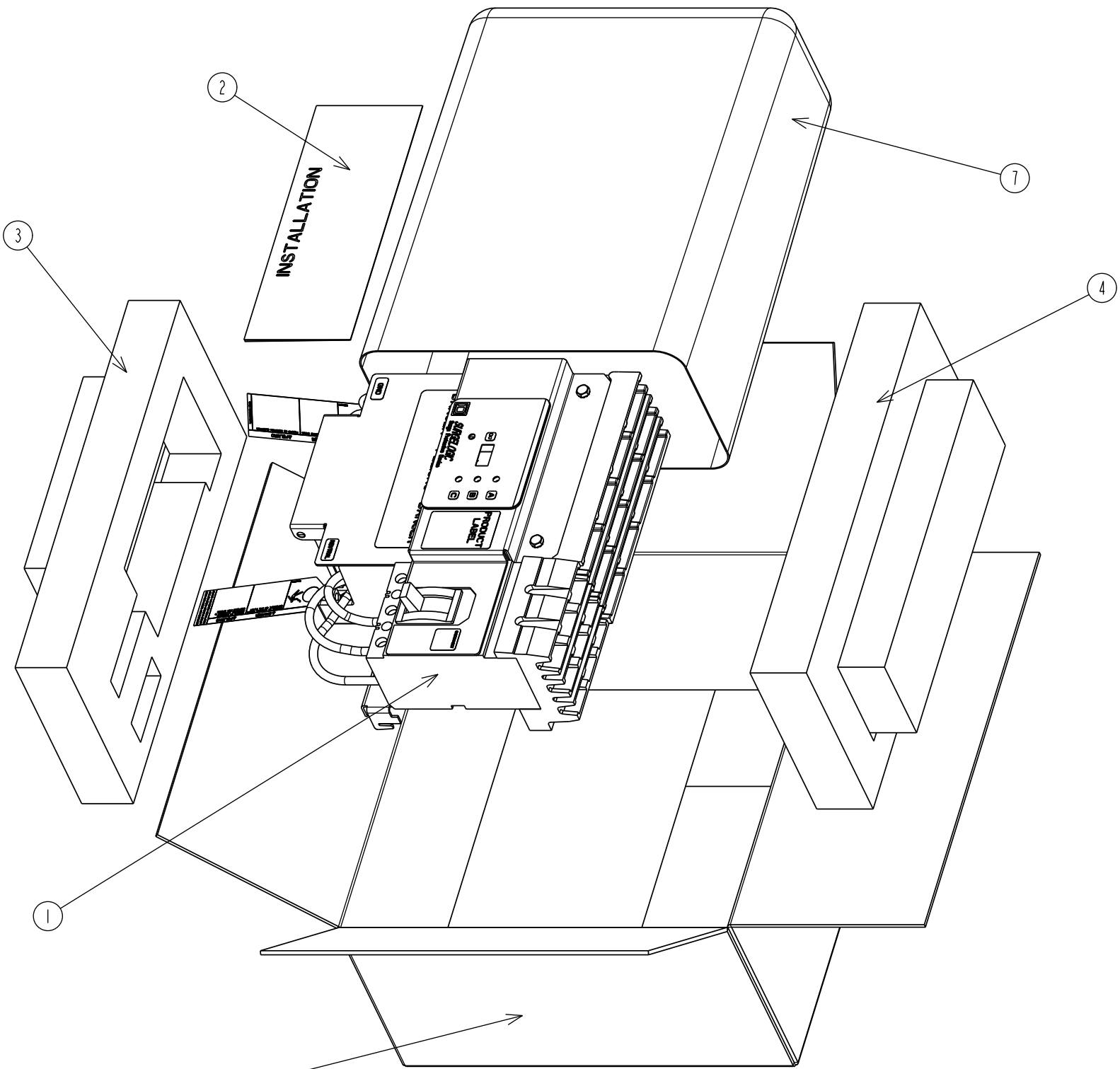


16 15 14 13 12 11 10 9 8 7 6 5 4 3 2 1

REVISIONS					
REV	ECO NO.	DATE	DESCRIPTION OF CHANGE	DWN	APRV
A	2657	15JUL2002	ENGINEERING RELEASE	JAI	KE
B	2659	OCT312002	ADD PACKAGING INSTRUCTIONS	JH	KE
C	200677	03JUN2005	PACKING CHANGE	DJB	KE
D	200814	02FEB2007	NEW FOAM CAPS	DJB	RA
E	300060	01OCT2009	ADDED SHEET 2 FOR LABEL REF DESIGNATORS	MLJ	GPA
F	300157	30MAR2010	ADD GROUNDING HAZARD TAG	MLJ	DSR
G	300442	23OCT2012	ADDED UR LABEL TO BACKPLANE	JSW	DSR



J
I
H
G
F
E
D
C
B
A

J
I
H
G
F
E
D
C
B
A

16 15 14 13 12 11 10 9 8 7 6 5 4 3 2 1

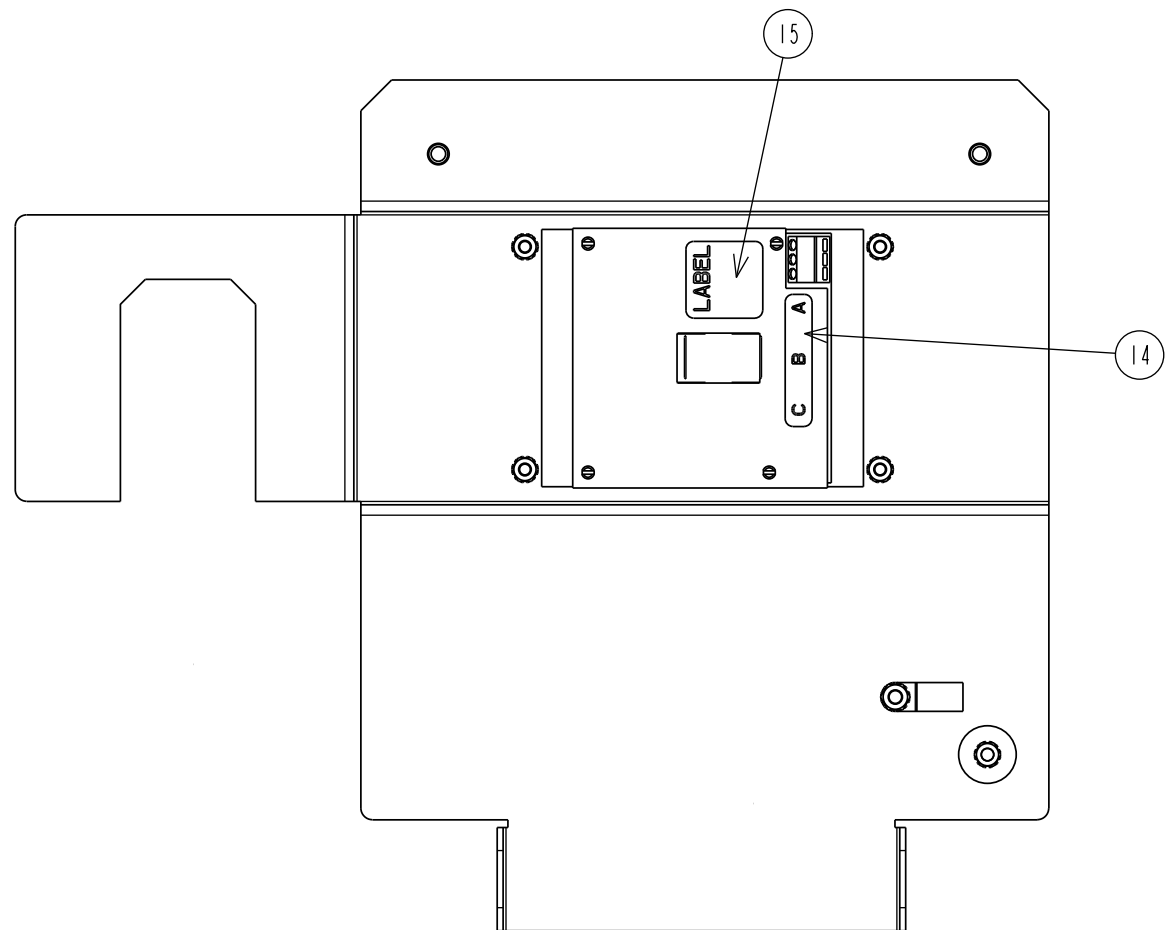
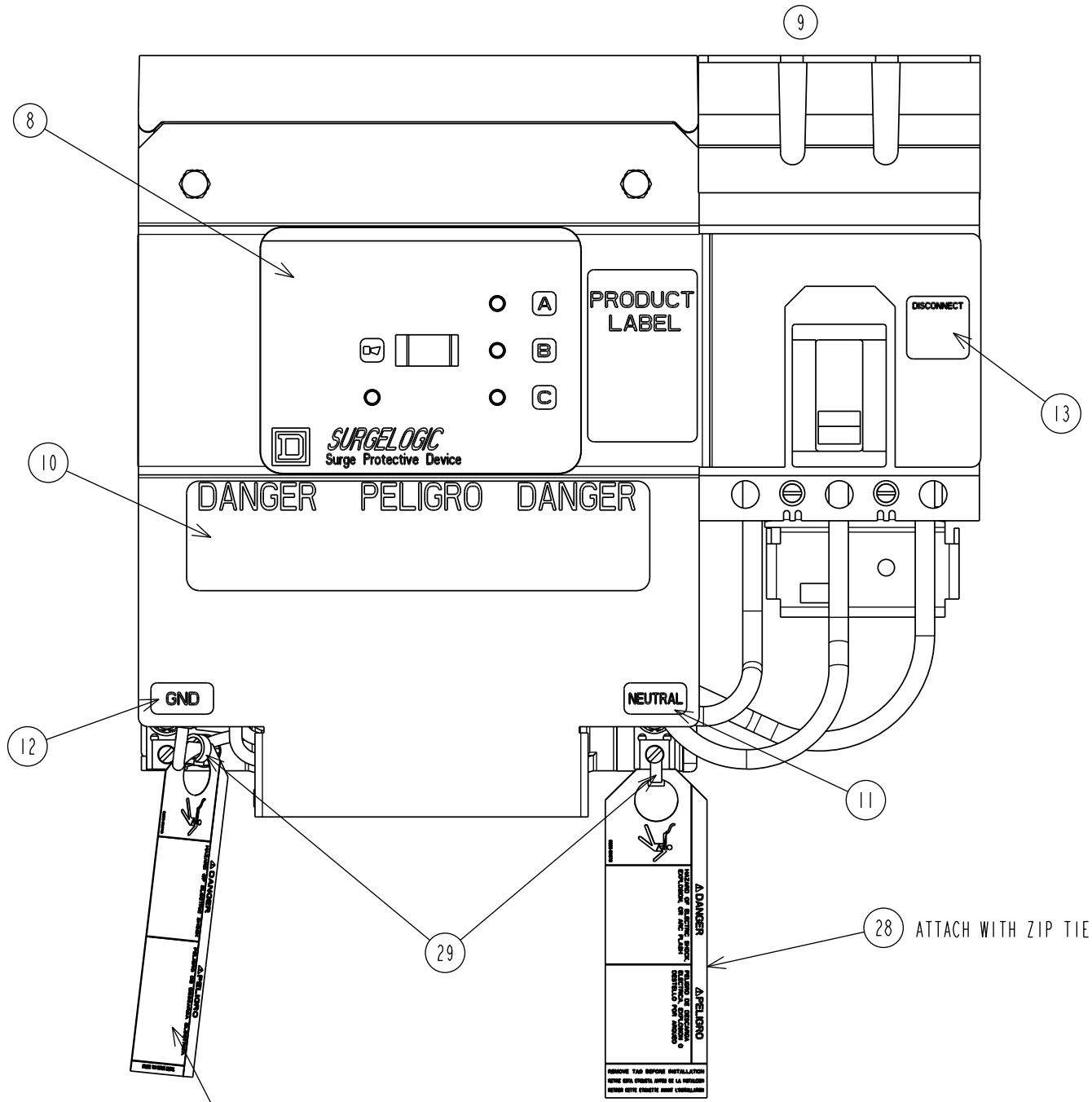
UNLESS OTHERWISE SPECIFIED DO NOT SCALE DRAWING. DIMENSIONS ARE IN INCHES. REMOVE ALL BURRS & SHARP EDGES 0.03 RADII MAX. FILLET RADIUS 0.03 MAX. TOLERANCES: FINISH: 125 .X = ± 0.1 .XX = ± 0.03 .XXX = ± 0.005 ANGLES ± 0° 30" UNMARKED ANLES ARE 90° NOM. HOLES: .000 THRU .250 Ø = +.002 .251 THRU .500 Ø = +.003 .501 AND GREATER = +.005	<small>THIS DOCUMENT AND THE DATA DISCLOSED HEREIN OR HEREWITH IS NOT TO BE REPRODUCED, USED, OR DISCLOSED IN WHOLE OR IN PART TO ANYONE WITHOUT THE PERMISSION OF SCHNEIDER ELECTRIC.</small>			1751 SOUTH 4800 WEST SALT LAKE CITY, UT 84104 PHONE (801) 977-9009 FAX (801) 977-3474	ASSEM T220-2300 in D220-0016 MODEL
	INITIAL DRWN: MLJ ENGR: GPA MANF: NT QUALITY: GPA	DATE 01OCT2009 17OCT2009 17OCT2009 17OCT2009			

Released for Manufacturing
Printed on 2021/08/03

16 15 14 13 12 11 10 9 8 7 6 5 4 3 2 1

J
I
H
G
F
E
D
C
B
A

J
I
H
G
F
E
D
C
B
A



29 ATTACH WITH ZIP TIE THRU TERMINAL LUG HOLE

30 NOTE: ATTACH WITH ZIP TIE AROUND GROUND WIRE

I-LINE SHIPPING		
SIZE B	DWG NO. D220-0016	REV G
SCALE 1/8" = 1"	2 OF 3	SHEET

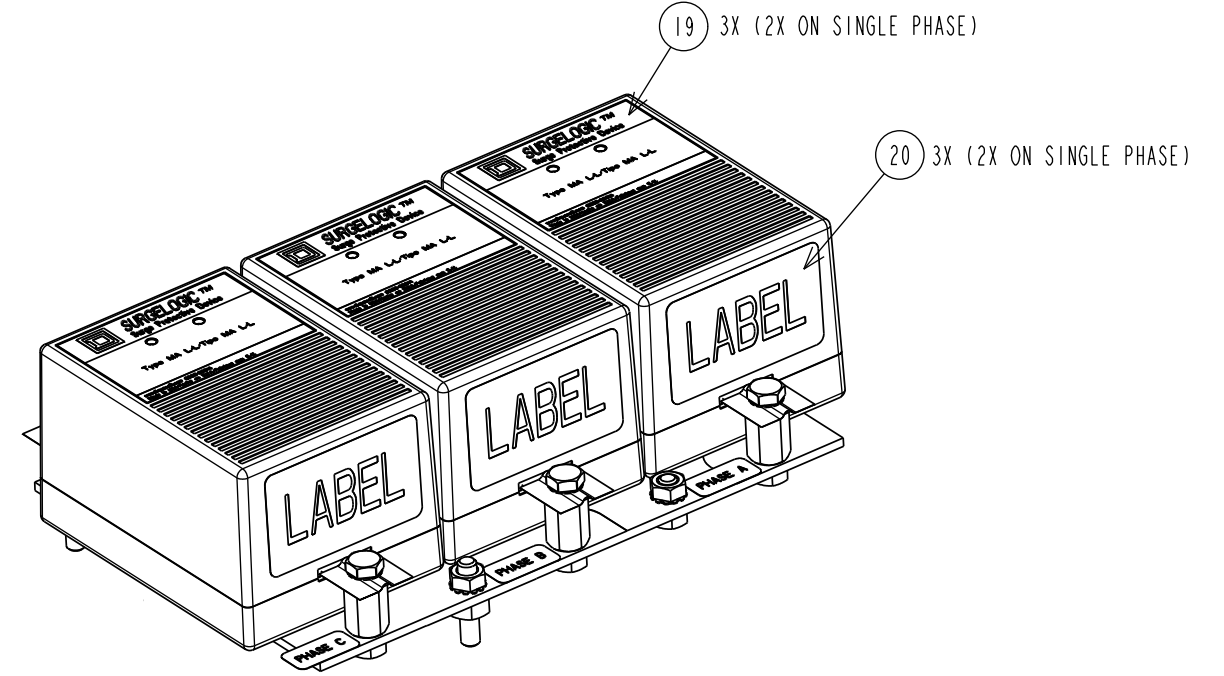
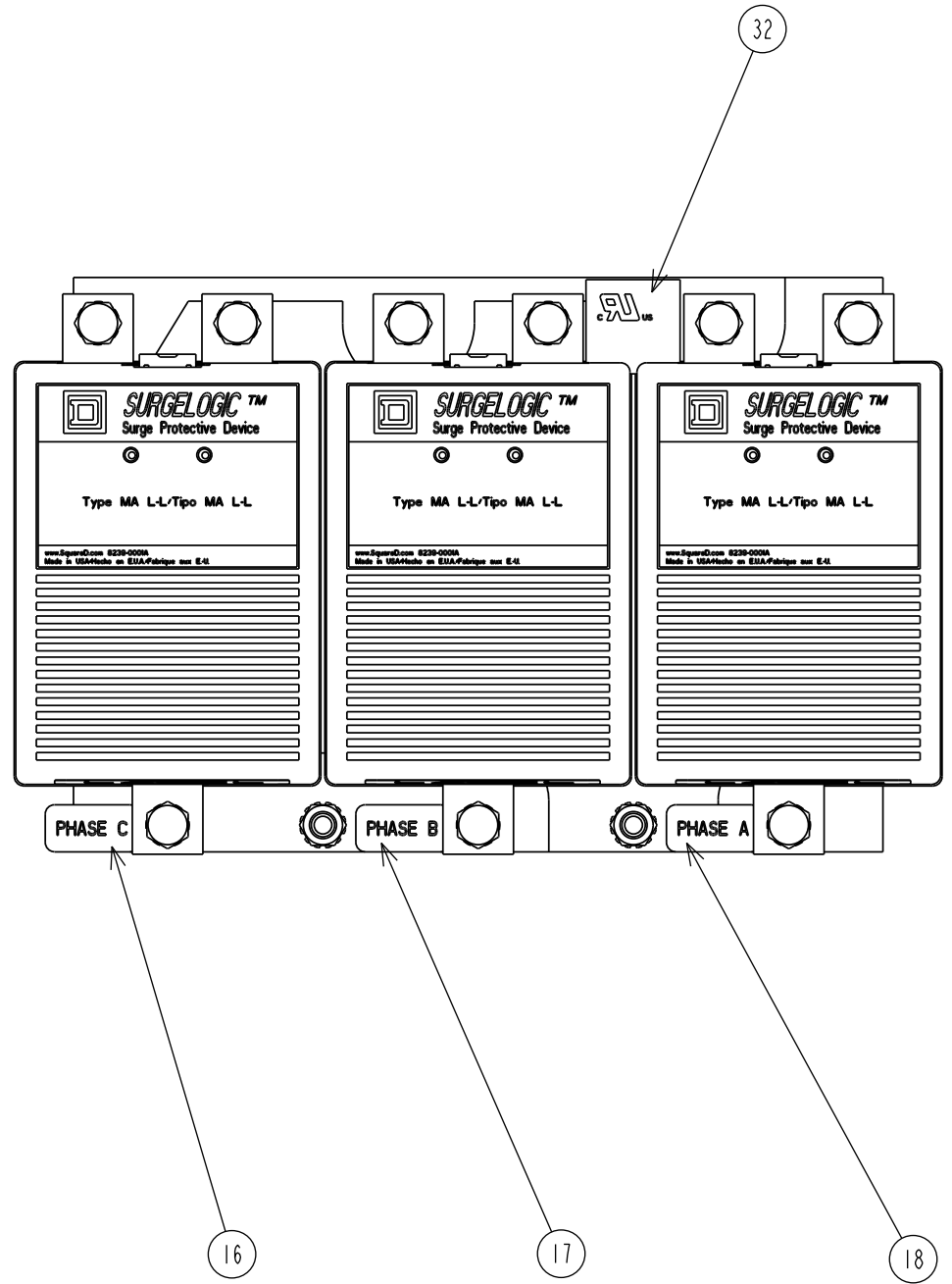
ASSEM T220-2300 in D220-0016
Root Folder/EF/1-Line
MODEL

16 15 14 13 12 11 10 9 8 7 6 5 4 3 2 1

16 15 14 13 12 11 10 9 8 7 6 5 4 3 2 1

J
I
H
G
F
E
D
C
B
A

J
I
H
G
F
E
D
C
B
A



16 15 14 13 12 11 10 9 8 7 6 5 4 3 2 1

I-LINE SHIPPING			
SIZE B	DWG NO. D220-0016	REV G	
SCALE 0.5" = 1"	Released for Manufacturing Printed on 2021/08/03	SHEET 3 OF 3	

ASSEM T220-2300 in D220-0016
Root Folder/EF/1-Line
MODEL