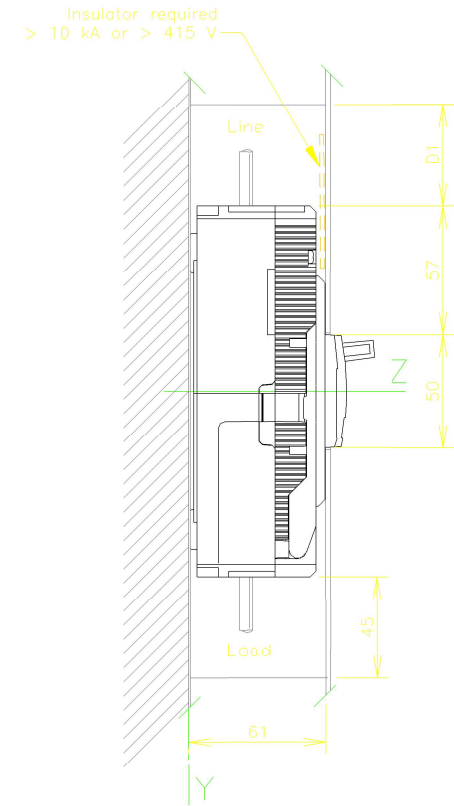
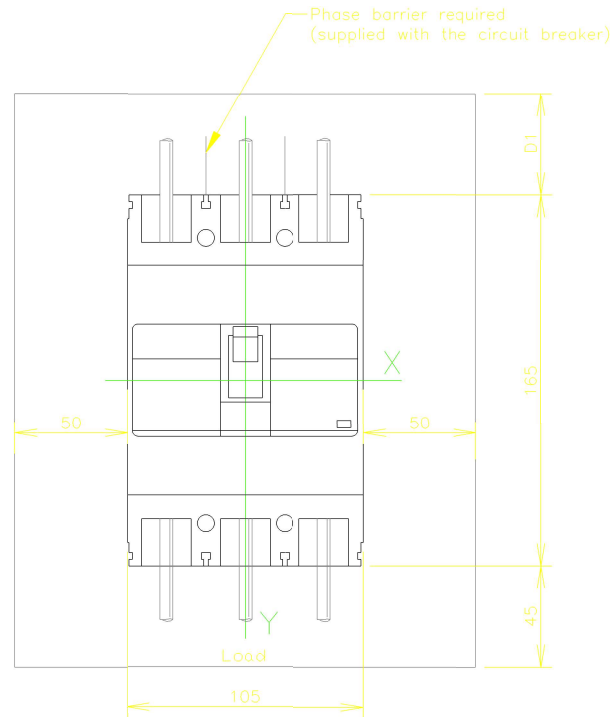
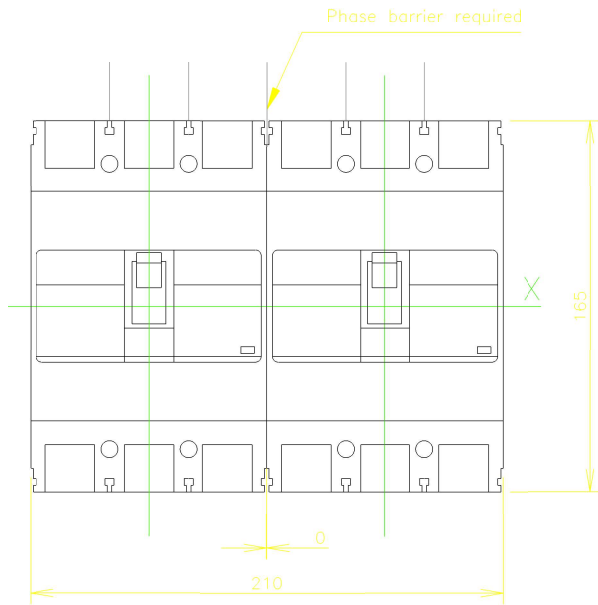


# EZC250SY



Dimensions (mm)	Bare or painted sheet metal insulated bars	Bare busbar under voltage
EasyPact circuit breaker	D1	D1
EZC250F/N	60	140
EZC250H	80	140