

Ø3.30
[Ø.13]
COUNTERSUNK
HOLES, 8 PLACES

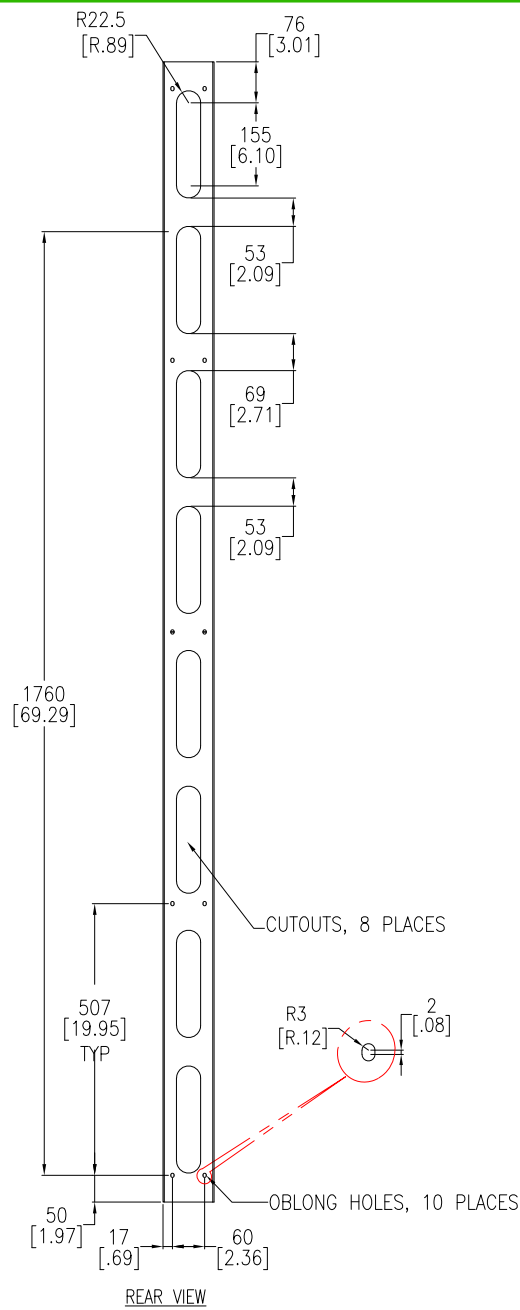
CUTOUTS, 41 PLACES
ON EITHER SIDES

FRONT VIEW

LEFT SIDE VIEW

TOP VIEW

1.5
[.06]
THICK

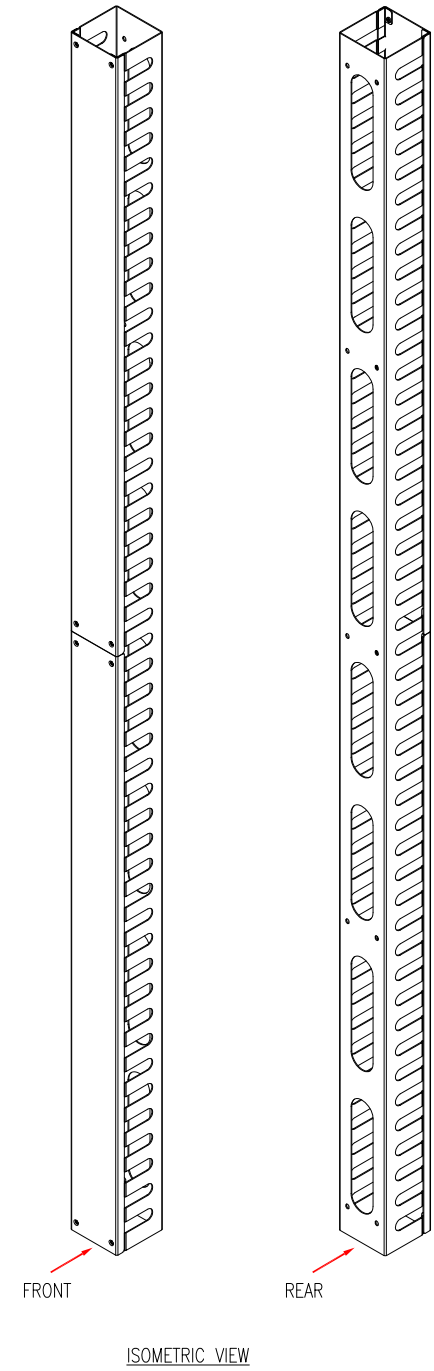


CUTOUTS, 8 PLACES

R3
[R.12]

OBLONG HOLES, 10 PLACES

REAR VIEW



FRONT

REAR

ISOMETRIC VIEW

- NOTES:
1. INSTALLATION SHALL COMPLY WITH ALL APPLICABLE NATIONAL, STATE AND LOCAL ELECTRICAL REGULATIONS.
 2. REFER TO PRODUCT DOCUMENTATION FOR ADDITIONAL DETAILS PRIOR TO INSTALLATION AND SITE PREPARATION WORK.
 3. ALL DIMENSIONS ARE IN MILLIMETERS [INCHES].
 4. NET WEIGHT OF THE UNIT IS 7 kg [15.43 lb].

THIS DRAWING AND SPECIFICATIONS HEREIN ARE THE PROPERTY OF SCHNEIDER ELECTRIC AND SHALL NOT BE COPIED, REPRODUCED OR USED IN WHOLE OR IN PART, AS THE BASIS FOR THE MANUFACTURE OR SALE OF ITEMS WITHOUT WRITTEN PERMISSION FROM SCHNEIDER ELECTRIC. THIS DRAWING IS BASED UPON LATEST AVAILABLE INFORMATION AND IS SUBJECT TO CHANGE WITHOUT NOTICE.

Schneider
Electric

TITLE:
Easy RACK
VERTICAL CABLE MANAGER, 48U
GENERAL ARRANGEMENT

DWG NO: ER7VCM48

REV. 0

DRAWN BY: JAYAPRAKASH 29-JAN-21

FIRST

ENGINEER: Job GU 01-FEB-21

ANGLE

PROJECT: SUBMITTAL DRAWINGS SHEET 1 OF 1

APPROVED BY: Job GU 01-FEB-21

PROJECTION