

- NOTES:**
1. INSTALLATION SHALL COMPLY WITH ALL APPLICABLE NATIONAL, STATE AND LOCAL CODES.
 2. REFER TO PRODUCT DOCUMENTATION FOR ADDITIONAL DETAILS PRIOR TO INSTALLATION AND SITE PREPARATION WORK.
 3. ALL DIMENSIONS ARE IN INCHES [MILLIMETERS].
 - Δ4. CLEARANCE DIMENSIONS ARE REQUIRED FOR AIRFLOW AND SERVICE ACCESS ONLY. CONSULT WITH THE LOCAL SAFETY CODES AND STANDARDS FOR ADDITIONAL REQUIREMENTS IN YOUR LOCAL AREA.
 - Δ5. IF THE UPS IS INSTALLED WITHOUT SIDE ACCESS, THE LENGTH OF THE CABLES CONNECTED TO THE UPS MUST ALLOW FOR ROLLING OUT THE UPS.
 - Δ6. THIS INFORMATION PROVIDES APPROXIMATE CENTER OF GRAVITY CALCULATION.
 7. WEIGHT OF UNIT WITHOUT BATTERY MODULES: 428 lbs [194 kg].
 8. WEIGHT OF 1 BATTERY MODULE: 60 lbs [27 kg].
 9. MAXIMUM WEIGHT OF UNIT (WITH 12 BATT. MODULES): 1148 lbs [518 kg].
 10. CABLE ENTRY IS FROM REAR OF THE UNIT.
 11. OPERATING TEMPERATURE: 32°F TO 104°F [0°C TO 40°C].
 12. PROTECTION CLASS: IP20. (DUST FILTER AS STANDARD).
 13. COLOR: RAL 9003.

THIS DRAWING AND SPECIFICATIONS HEREIN ARE THE PROPERTY OF SCHNEIDER ELECTRIC AND SHALL NOT BE COPIED, REPRODUCED OR USED IN WHOLE OR IN PART, AS THE BASIS FOR THE MANUFACTURE OR SALE OF ITEMS WITHOUT WRITTEN PERMISSION FROM SCHNEIDER ELECTRIC. THIS DRAWING IS BASED UPON LATEST AVAILABLE INFORMATION AND IS SUBJECT TO CHANGE WITHOUT NOTICE.

Schneider Electric

TITLE: Easy UPS 3S
 Input: 208V 3PH 40-70Hz
 Output: 208V 3PH 50/60Hz
 40kVA UPS FOR INTERNAL BATTERIES
 GENERAL ARRANGEMENT

PROJECT: SUBMITTAL DRAWINGS **SHEET 1 OF 4**

DWG NO: E3SUPS40KFB

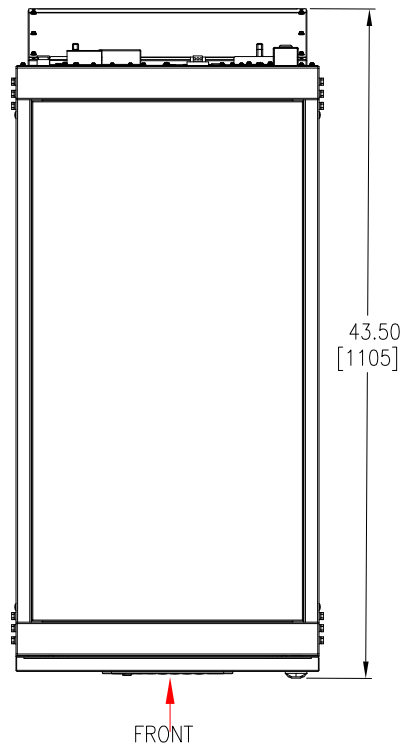
DRAWN BY: BALA 29-JAN-21

ENGINEER: YaPing Yang 2-MAR-21

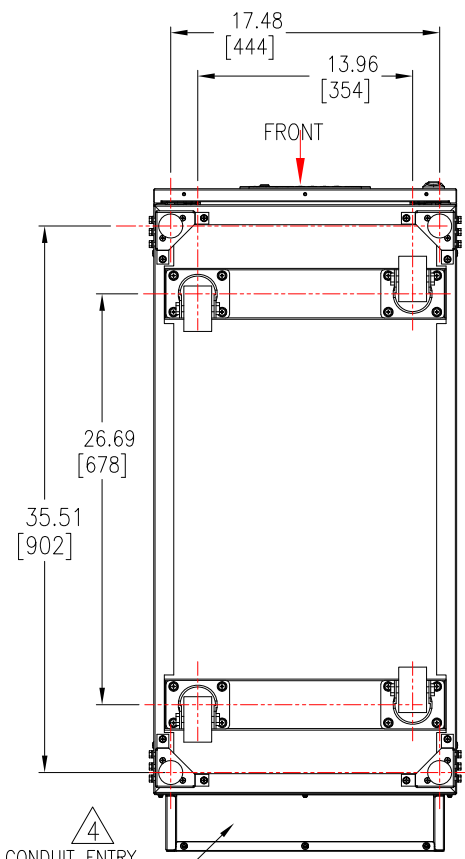
APPROVED BY: YaPing Yang 2-MAR-21

REV. 0

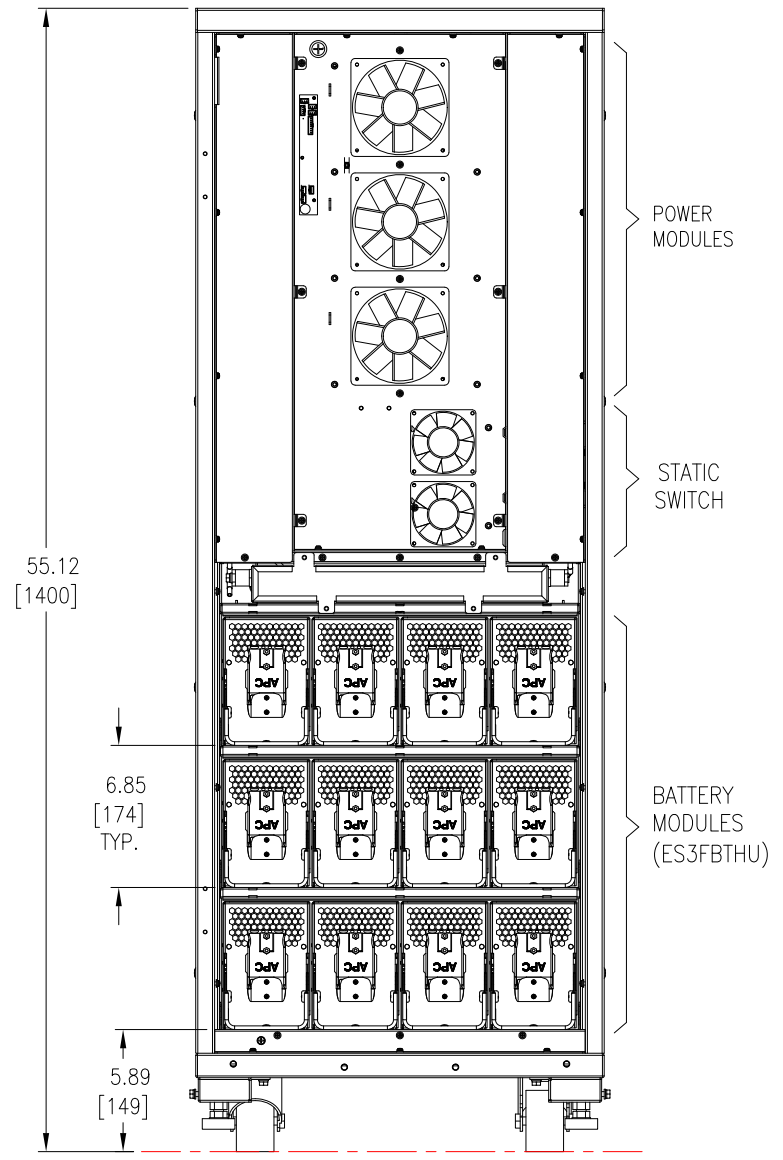
THIRD ANGLE PROJECTION



TOP VIEW



BOTTOM VIEW



INTERNAL FRONT VIEW

- NOTES:**
1. INSTALLATION SHALL COMPLY WITH ALL APPLICABLE NATIONAL, STATE AND LOCAL CODES.
 2. REFER TO PRODUCT DOCUMENTATION FOR ADDITIONAL DETAILS PRIOR TO INSTALLATION AND SITE PREPARATION WORK.
 3. ALL DIMENSIONS ARE IN INCHES [MILLIMETERS].
 - △4. DRILL/PUNCH HOLES IN PLATE. REMOVE PLATE FROM CABINET BEFORE DRILLING/PUNCHING.
 5. SOME STRUCTURAL DETAILS HAVE BEEN OMITTED FOR THE PURPOSE OF CLARITY.

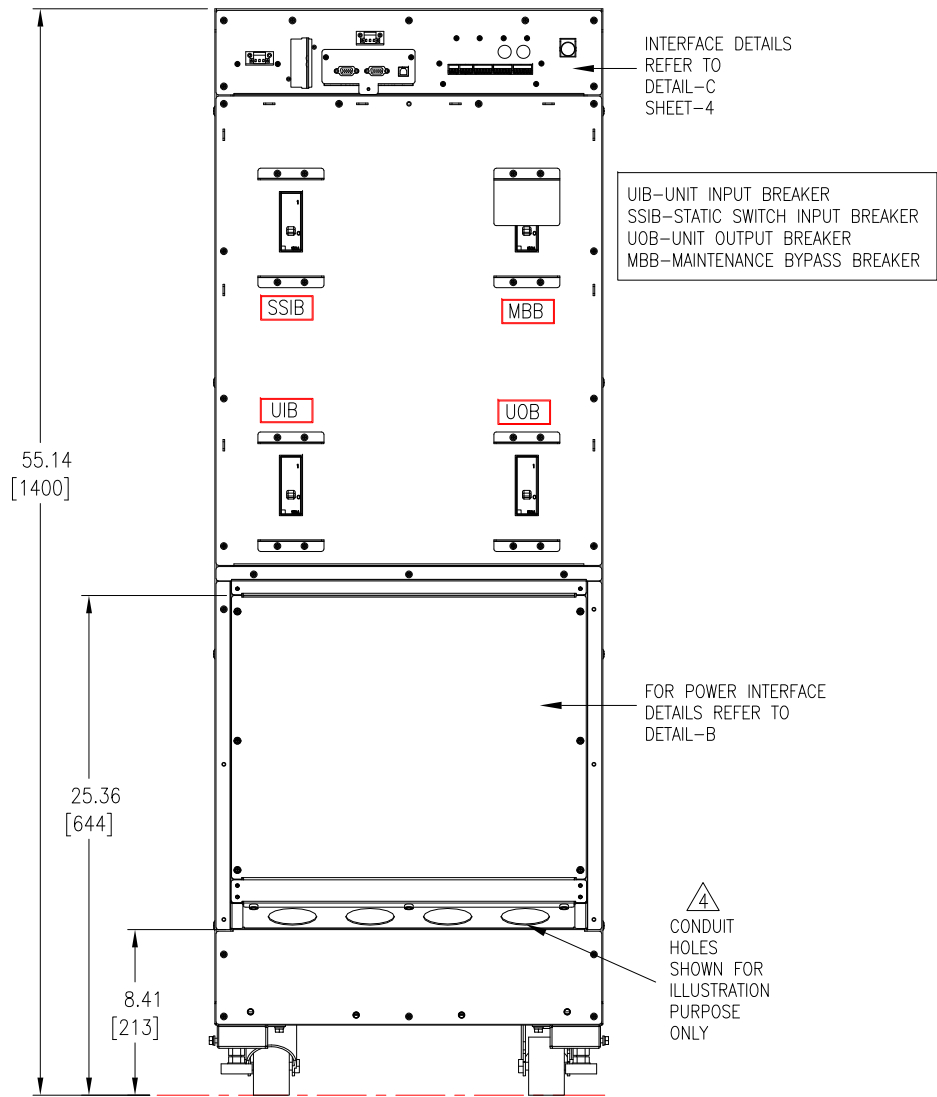
THIS DRAWING AND SPECIFICATIONS HEREIN ARE THE PROPERTY OF SCHNEIDER ELECTRIC AND SHALL NOT BE COPIED, REPRODUCED OR USED IN WHOLE OR IN PART, AS THE BASIS FOR THE MANUFACTURE OR SALE OF ITEMS WITHOUT WRITTEN PERMISSION FROM SCHNEIDER ELECTRIC. THIS DRAWING IS BASED UPON LATEST AVAILABLE INFORMATION AND IS SUBJECT TO CHANGE WITHOUT NOTICE.



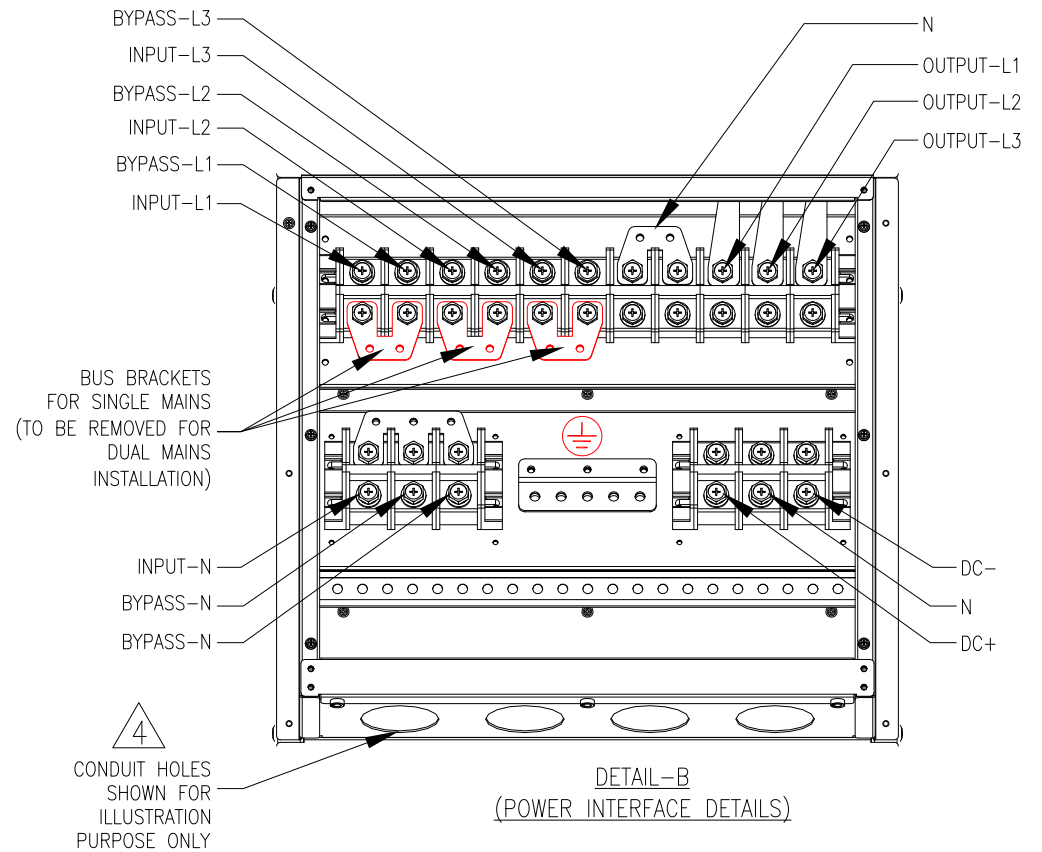
TITLE: Easy UPS 3S
 Input: 208V 3PH 40-70Hz
 Output: 208V 3PH 50/60Hz
 40kVA UPS FOR INTERNAL BATTERIES
 TOP-BOTTOM AND INTERNAL FRONT VIEW

DWG NO: E3SUPS40KFB
REV: 0
DRAWN BY: BALA 29-JAN-21
ENGINEER: YaPing Yang 2-MAR-21
APPROVED BY: YaPing Yang 2-MAR-21

THIRD ANGLE PROJECTION



PARTIAL INTERNAL REAR VIEW



NOTES:

1. INSTALLATION SHALL COMPLY WITH ALL APPLICABLE NATIONAL, STATE AND LOCAL CODES.
2. REFER TO PRODUCT DOCUMENTATION FOR ADDITIONAL DETAILS PRIOR TO INSTALLATION AND SITE PREPARATION WORK.
3. ALL DIMENSIONS ARE IN INCHES [MILLIMETERS].
4. DRILL/PUNCH HOLES IN PLATE. REMOVE PLATE FROM CABINET BEFORE DRILLING/PUNCHING.
5. SOME STRUCTURAL DETAILS HAVE BEEN OMITTED FOR THE PURPOSE OF CLARITY.

THIS DRAWING AND SPECIFICATIONS HEREIN ARE THE PROPERTY OF SCHNEIDER ELECTRIC AND SHALL NOT BE COPIED, REPRODUCED OR USED IN WHOLE OR IN PART, AS THE BASIS FOR THE MANUFACTURE OR SALE OF ITEMS WITHOUT WRITTEN PERMISSION FROM SCHNEIDER ELECTRIC. THIS DRAWING IS BASED UPON LATEST AVAILABLE INFORMATION AND IS SUBJECT TO CHANGE WITHOUT NOTICE.

Schneider Electric

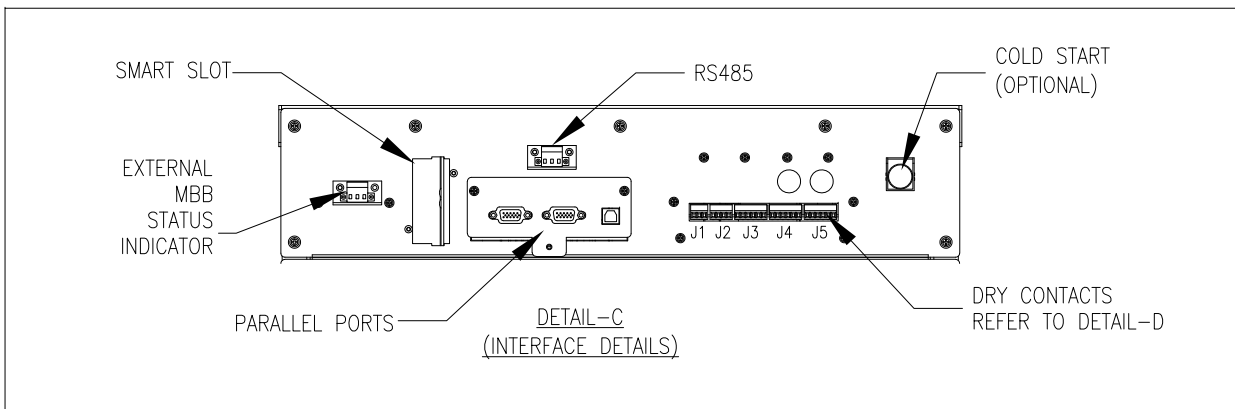
TITLE: Easy UPS 3S
Input: 208V 3PH 40-70Hz
Output: 208V 3PH 50/60Hz
40kVA UPS FOR INTERNAL BATTERIES
POWER INTERFACE DETAILS

DWG NO: E3SUPS40KFB REV. 0

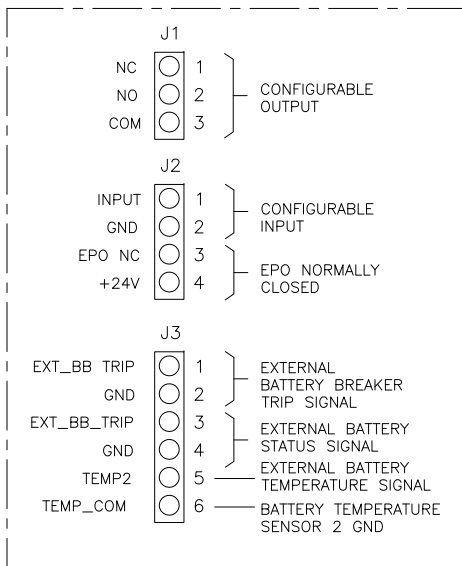
DRAWN BY: BALA 29-JAN-21 THIRD

ENGINEER: YaPing Yang 2-MAR-21 ANGLE

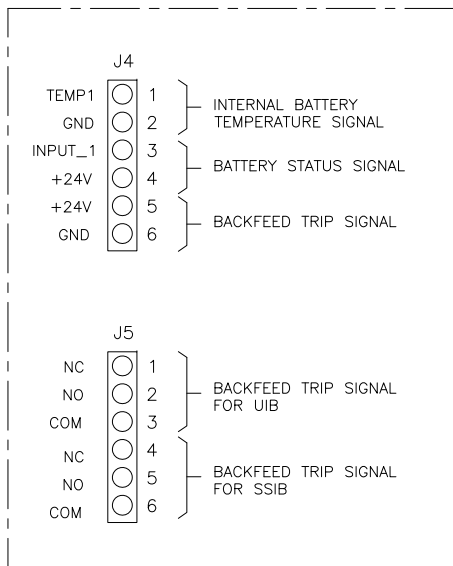
PROJECT: SUBMITTAL DRAWINGS SHEET 3 OF 4 APPROVED BY: YaPing Yang 2-MAR-21 PROJECTION



DRY CONTACTS INTERFACE FOR EXTERNAL CONNECTIONS

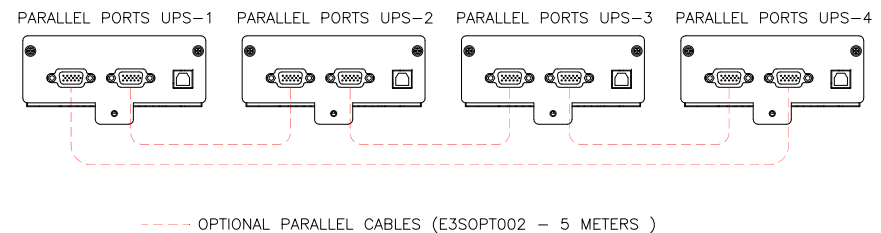


DRY CONTACTS INTERFACE FOR INTERNAL CONNECTIONS



DETAIL-D (DRY CONTACTS INTERFACE)

PARALLEL SYSTEMS INTERFACE



NOTES:

1. INSTALLATION SHALL COMPLY WITH ALL APPLICABLE NATIONAL, STATE AND LOCAL CODES.
2. REFER TO PRODUCT DOCUMENTATION FOR ADDITIONAL DETAILS PRIOR TO INSTALLATION AND SITE PREPARATION WORK.

THIS DRAWING AND SPECIFICATIONS HEREIN ARE THE PROPERTY OF SCHNEIDER ELECTRIC AND SHALL NOT BE COPIED, REPRODUCED OR USED IN WHOLE OR IN PART, AS THE BASIS FOR THE MANUFACTURE OR SALE OF ITEMS WITHOUT WRITTEN PERMISSION FROM SCHNEIDER ELECTRIC. THIS DRAWING IS BASED UPON LATEST AVAILABLE INFORMATION AND IS SUBJECT TO CHANGE WITHOUT NOTICE.



TITLE: Easy UPS 3S
 Input: 208V 3PH 40-70Hz
 Output: 208V 3PH 50/60Hz
 40kVA UPS FOR INTERNAL BATTERIES
 COMMUNICATION INTERFACE DETAILS
PROJECT: SUBMITTAL DRAWINGS **SHEET** 4 OF 4

DWG NO: E3SUPS40KFB	REV. 0
DRAWN BY: BALA	29-JAN-21
ENGINEER: YaPing Yang	2-MAR-21
APPROVED BY: YaPing Yang	2-MAR-21
ANGLE OF PROJECTION N.A.	