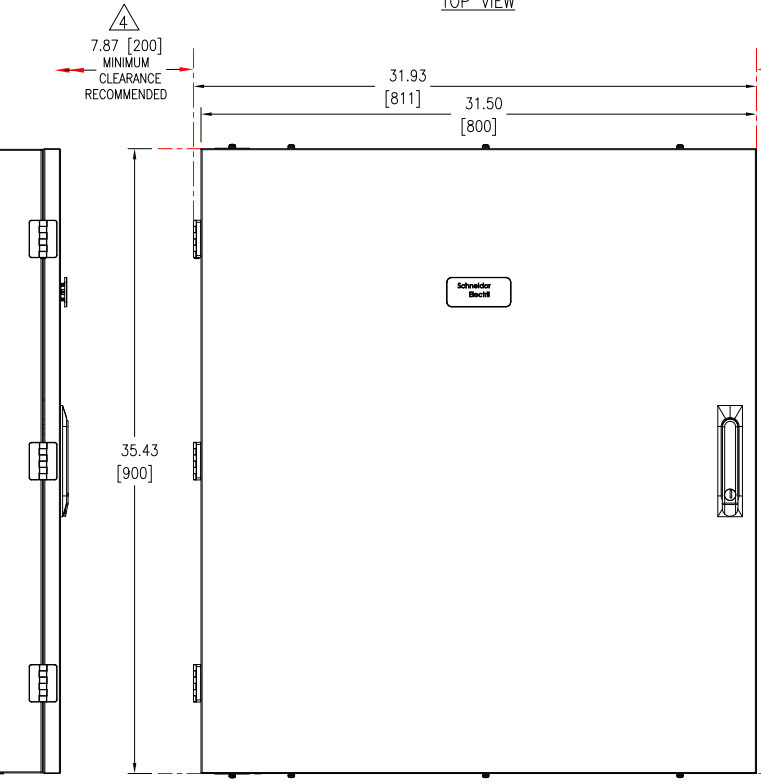
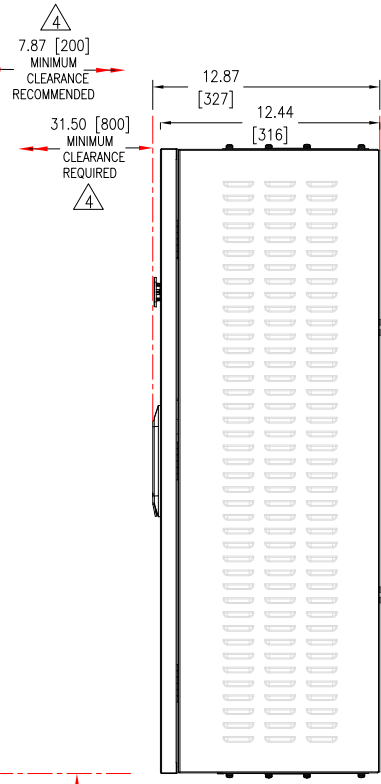


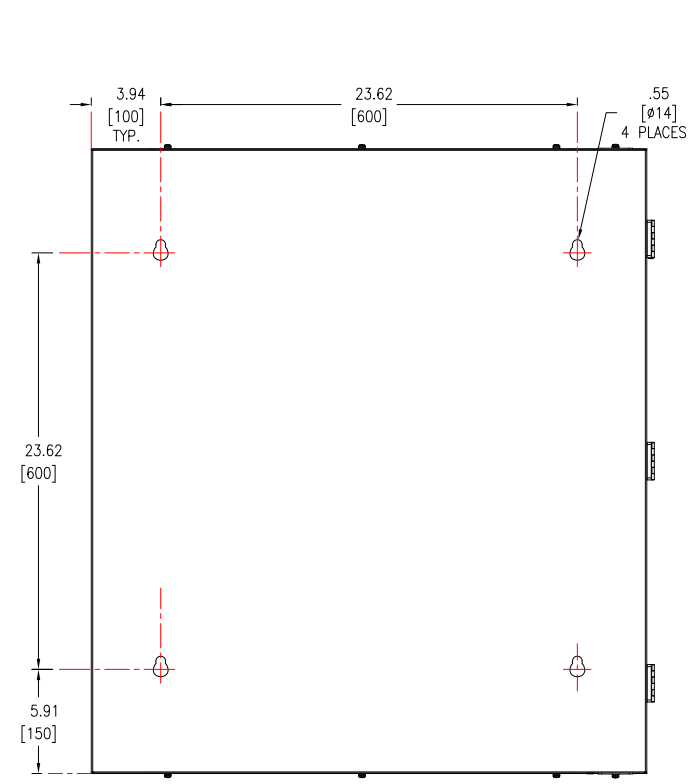
TOP VIEW



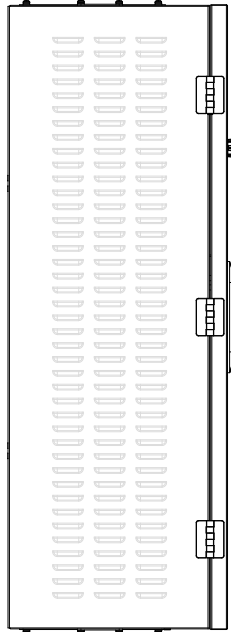
FRONT VIEW



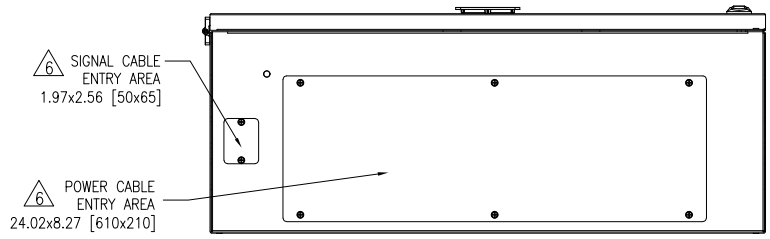
SIDE VIEW



REAR VIEW



SIDE VIEW



BOTTOM VIEW

NOTES:

1. INSTALLATION SHALL COMPLY WITH ALL APPLICABLE NATIONAL, STATE AND LOCAL CODES.
2. REFER TO PRODUCT DOCUMENTATION FOR ADDITIONAL DETAILS PRIOR TO INSTALLATION AND SITE PREPARATION WORK.
3. ALL DIMENSIONS ARE IN INCHES [MILLIMETERS].
- △4. CLEARANCE DIMENSIONS ARE MEANT FOR AIRFLOW AND SERVICE ACCESS ONLY. CONSULT WITH LOCAL SAFETY CODES AND STANDARDS FOR ADDITIONAL REQUIREMENTS IN YOUR LOCAL AREA.
5. CABLE ENTRY IS FROM TOP, BOTTOM OF UNIT.
- △6. REMOVE THE GLAND PLATES AND DRILL OR PUNCH HOLES FOR CABLES/CONDUITS.
7. WEIGHT OF UNIT 143 lbs {65 kg}.
8. PROTECTION CLASS: IP20.
9. OPERATING TEMPERATURE: 32°F TO 104°F {0°C TO 40°C}.
10. PANEL COLOR: RAL 9003, GLOSS LEVEL 85%.

THIS DRAWING AND SPECIFICATIONS HEREIN ARE THE PROPERTY OF SCHNEIDER ELECTRIC AND SHALL NOT BE COPIED, REPRODUCED OR USED IN WHOLE OR IN PART, AS THE BASIS FOR THE MANUFACTURE OR SALE OF ITEMS WITHOUT WRITTEN PERMISSION FROM SCHNEIDER ELECTRIC. THIS DRAWING IS BASED UPON LATEST AVAILABLE INFORMATION AND IS SUBJECT TO CHANGE WITHOUT NOTICE.



TITLE: Easy UPS 3S MBP
 Input: 208V 3PH 40-70Hz
 Output: 208V 3PH 50/60Hz
 30-40kVA MAINTENANCE BYPASS PANEL
 GENERAL ARRANGEMENT

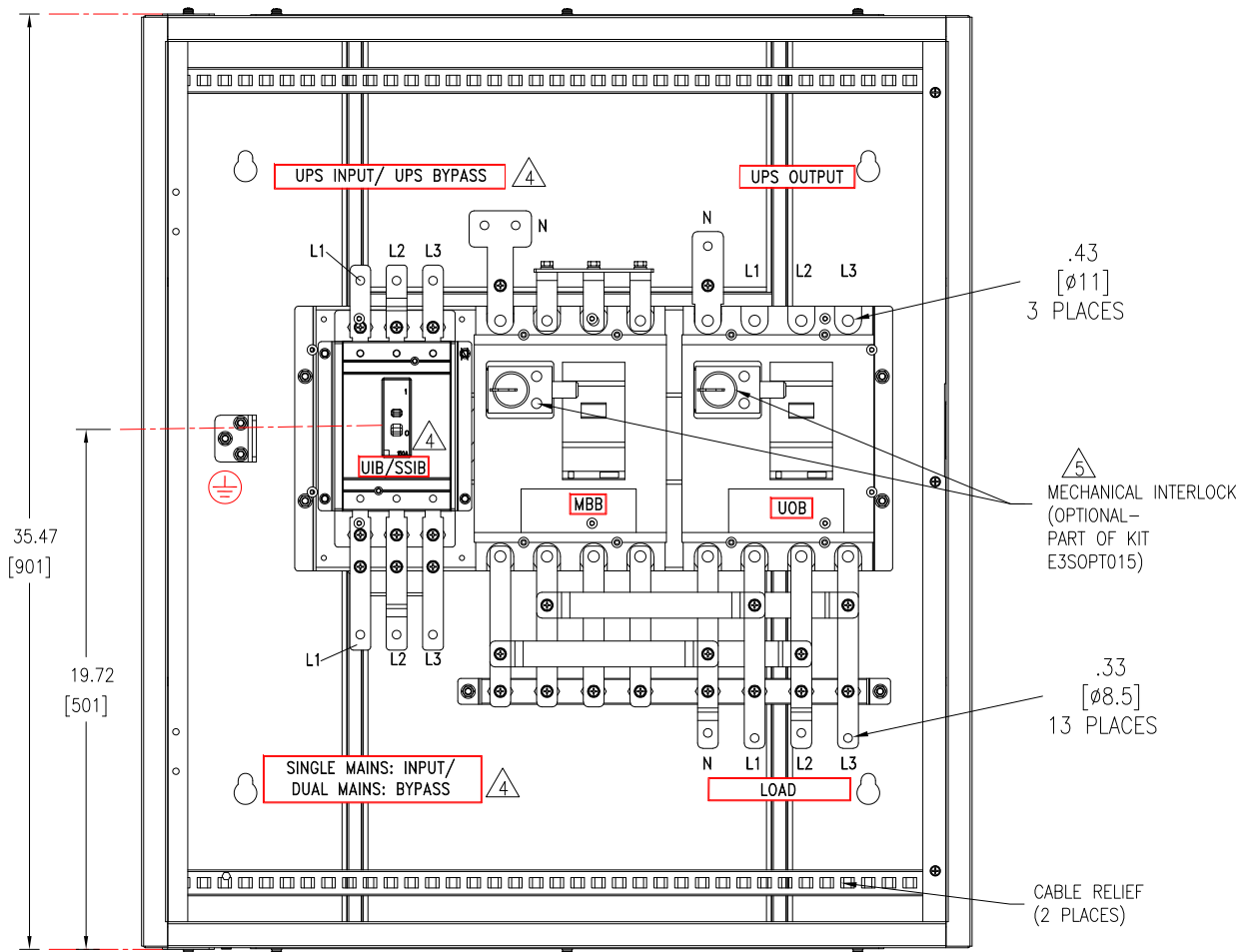
PROJECT: SUBMITTAL DRAWINGS SHEET 1 OF 2

DWG NO: E3SBPSU30K40F REV. 0

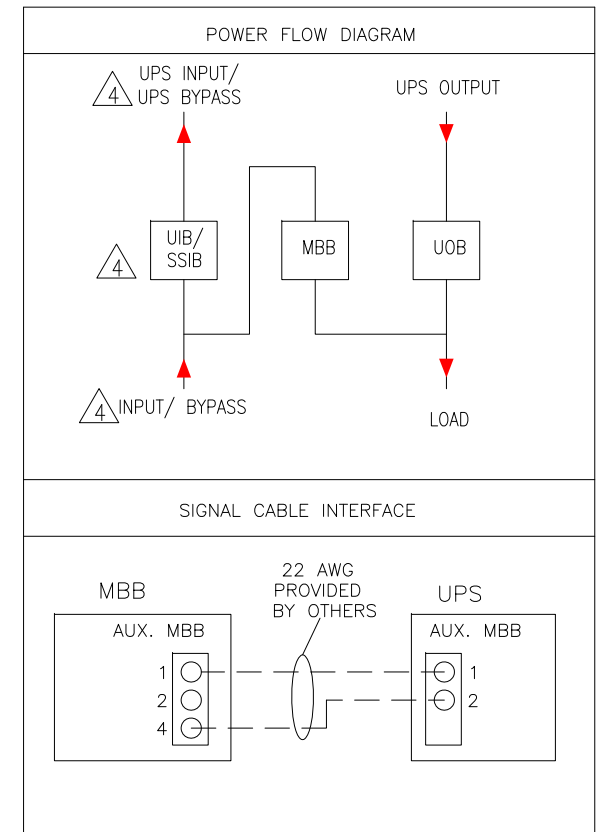
DRAWN BY: BALA 29-JAN-21 THIRD

ENGINEER: YaPing Yang 2-MAR-21 ANGLE

APPROVED BY: YaPing Yang 2-MAR-21 PROJECTION



INTERNAL FRONT VIEW
(FRONT DOOR AND FRONT PANEL REMOVED)



BREAKER DETAILS AND TRIP SETTING (MAKE: SCHNEIDER ELECTRIC)		
APPLICABLE UPS RATING	UIB / SSIB (RATING/MODEL NUMBER/ I _r /I _m SETTING)	MBB / UOB (RATING/MODEL NUMBER/ I _r /I _m (I _i)/Tr SETTING / N)
30kVA	150A/ HGF36150C /	250A/ LJF46250CU31X/ 100A/ 1.5-12/0.5-16/4P3D
40kVA	150A FIXED / 1250A	250A/ LJF46250CU31X/ 150A/ 1.5-12/0.5-16/4P3D

LEGEND:
UIB---UNIT INPUT BREAKER
SSIB---STATIC SWITCH INPUT BREAKER
UOB---UNIT OUTPUT BREAKER
MBB---MAINTENANCE BYPASS BREAKER

- NOTES:
1. INSTALLATION SHALL COMPLY WITH ALL APPLICABLE NATIONAL, STATE AND LOCAL CODES.
 2. REFER TO PRODUCT DOCUMENTATION FOR ADDITIONAL DETAILS PRIOR TO INSTALLATION AND SITE PREPARATION WORK.
 3. ALL DIMENSIONS ARE IN INCHES [MILLIMETERS].
 - △ 4. APPLICABLE LABELS:
FOR SINGLE MAINS: "UPS INPUT", "UIB", "INPUT".
FOR DUAL MAINS: "UPS BYPASS", "SSIB", "BYPASS".
 - △ 5. FOR MECHANICAL INTERLOCK INSTALLATION REFER TO PRODUCT MANUAL.
 6. FOR INTERFACE CABLE AND LUG DETAILS REFER TO PRODUCT MANUAL.

THIS DRAWING AND SPECIFICATIONS HEREIN ARE THE PROPERTY OF SCHNEIDER ELECTRIC AND SHALL NOT BE COPIED, REPRODUCED OR USED IN WHOLE OR IN PART, AS THE BASIS FOR THE MANUFACTURE OR SALE OF ITEMS WITHOUT WRITTEN PERMISSION FROM SCHNEIDER ELECTRIC. THIS DRAWING IS BASED UPON LATEST AVAILABLE INFORMATION AND IS SUBJECT TO CHANGE WITHOUT NOTICE.

Schneider Electric

TITLE: Easy UPS 3S MBP
Input: 208V 3PH 40-70Hz
Output: 208V 3PH 50/60Hz
30-40kVA MAINTENANCE BYPASS PANEL
INTERNAL AND INTERFACE DETAILS

DWG NO: E3SBPSU30K40F REV. 0

DRAWN BY: BALA	12-FEB-21	THIRD
ENGINEER: YaPing Yang	2-MAR-21	ANGLE
APPROVED BY: YaPing Yang	2-MAR-21	PROJECTION

PROJECT: SUBMITTAL DRAWINGS SHEET 2 OF 2