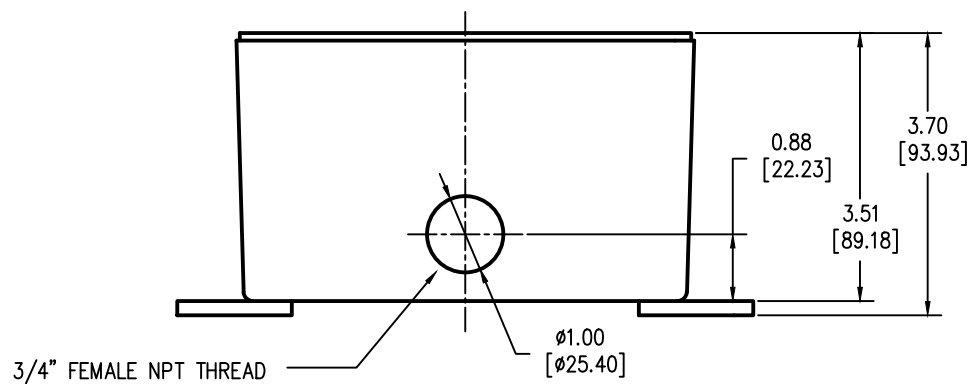
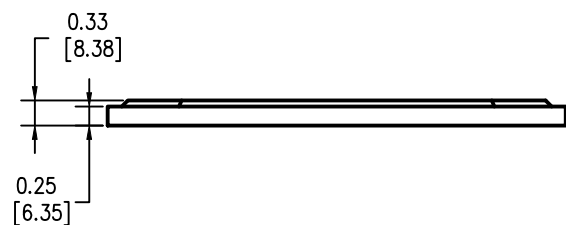
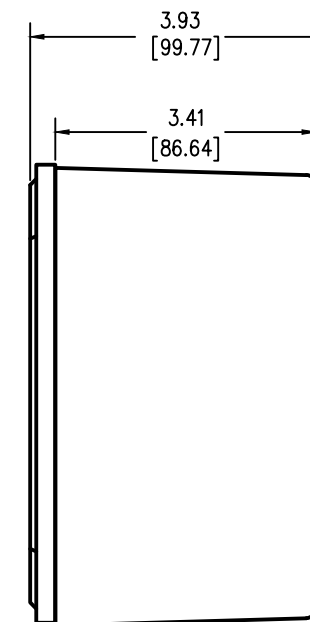
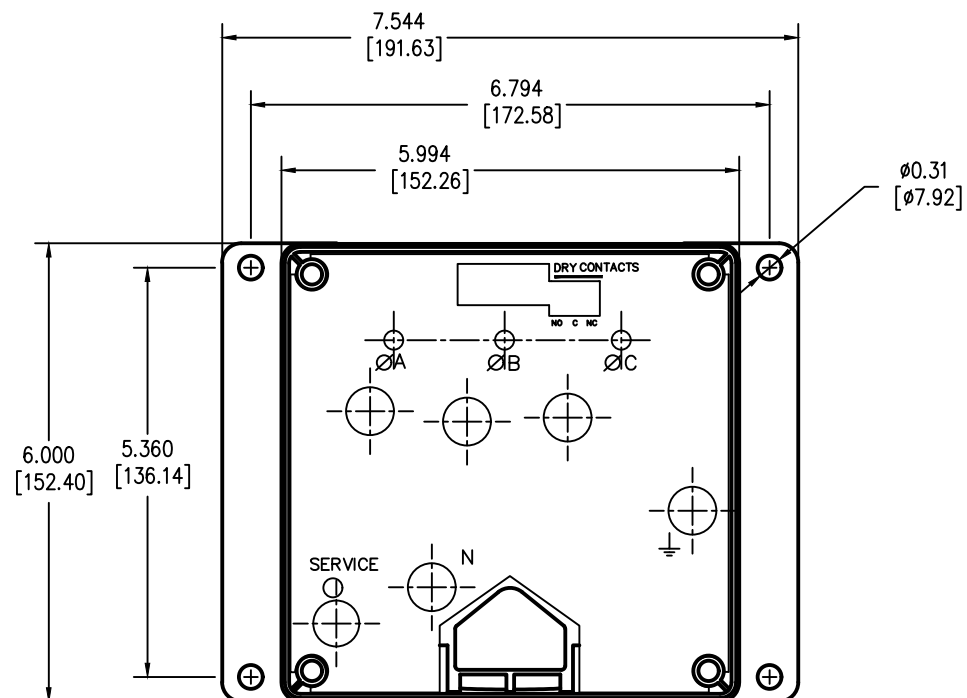
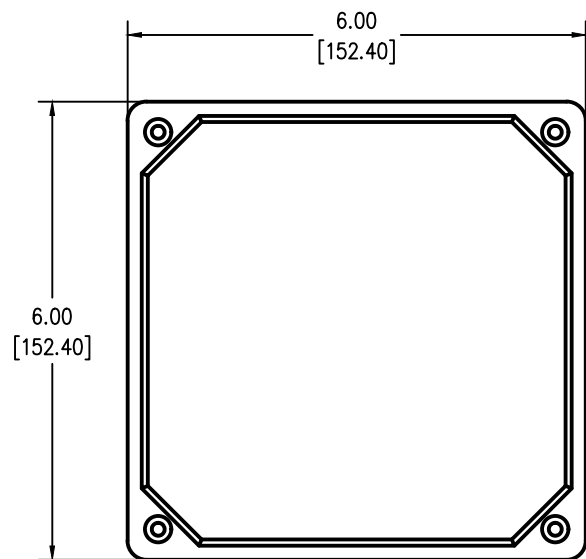


SURGE PROTECTIVE DEVICE (SPD)  
WEIGHTS & DIMENSIONS  
NEMA RATING: 4X NON METALLIC



ENCLOSURE SPECS.:  
DESC: NON-METALLIC ENCLOSURE  
DIM: 6.00"H x 6.00"W x 3.93"D  
MAT: POLYCARBONATE (V2 & F1)  
FINISH: GRAY  
NEMA RATING: 4X  
DEVICE WEIGHT: 4.95LBS. (2.24KG.)

PROJECT NAME:		REV. TO SHEET	ECN NO.	BY	APP.	DATE
SERIES 400		MODEL 430		 THIRD ANGLE PROJECTION		
XDS SERIES, 100-200k		NEMA RATING: 4X				
DRAWN BY	HD	DATE	7/18/09	MANUFACTURING TOLERANCES TO BE IN ACCORDANCE WITH ASCO PROCEDURE MP-1-003. FOR PLASTIC PARTS SEE MP-1-055.		ASSEM. REF. NO.
CHECKED	MJG	DATE	7/18/09	PROPERTY OF ASCO POWER TECHNOLOGIES. USE PERMITTED FOR OUR WORK ONLY. ALL RIGHTS OF DESIGN OR INVENTION ARE RESERVED.		SCALE NONE SIZE BS
PROJECT APPROVAL	MJG	DATE	7/18/09	 ASCO POWER TECHNOLOGIES, L.P. FLORHAM PARK, NEW JERSEY 07932 U.S.A.		DWG. NO. DD-TEXD-4X
FINAL APPROVAL						DRAWING REV. 1 SHEET 1 OF 1