

NOTES:

1. UNLESS OTHERWISE SPECIFIED ALL DIMENSIONS ARE TO THE OUTSIDE EDGE OF ENCLOSURE, EXCLUDING HARDWARE, LOCKS, KEYS, ETC.
2. UNLESS OTHERWISE NOTED ALL INTERCONNECTION WIRES TO BE SUPPLIED AND INSTALLED BY THE CUSTOMER.
3. COLOR: LIGHT BEIGE
4. APPROXIMATE WEIGHT: 20 LBS. 5. REF. ASSY. NO. 20-120100-00

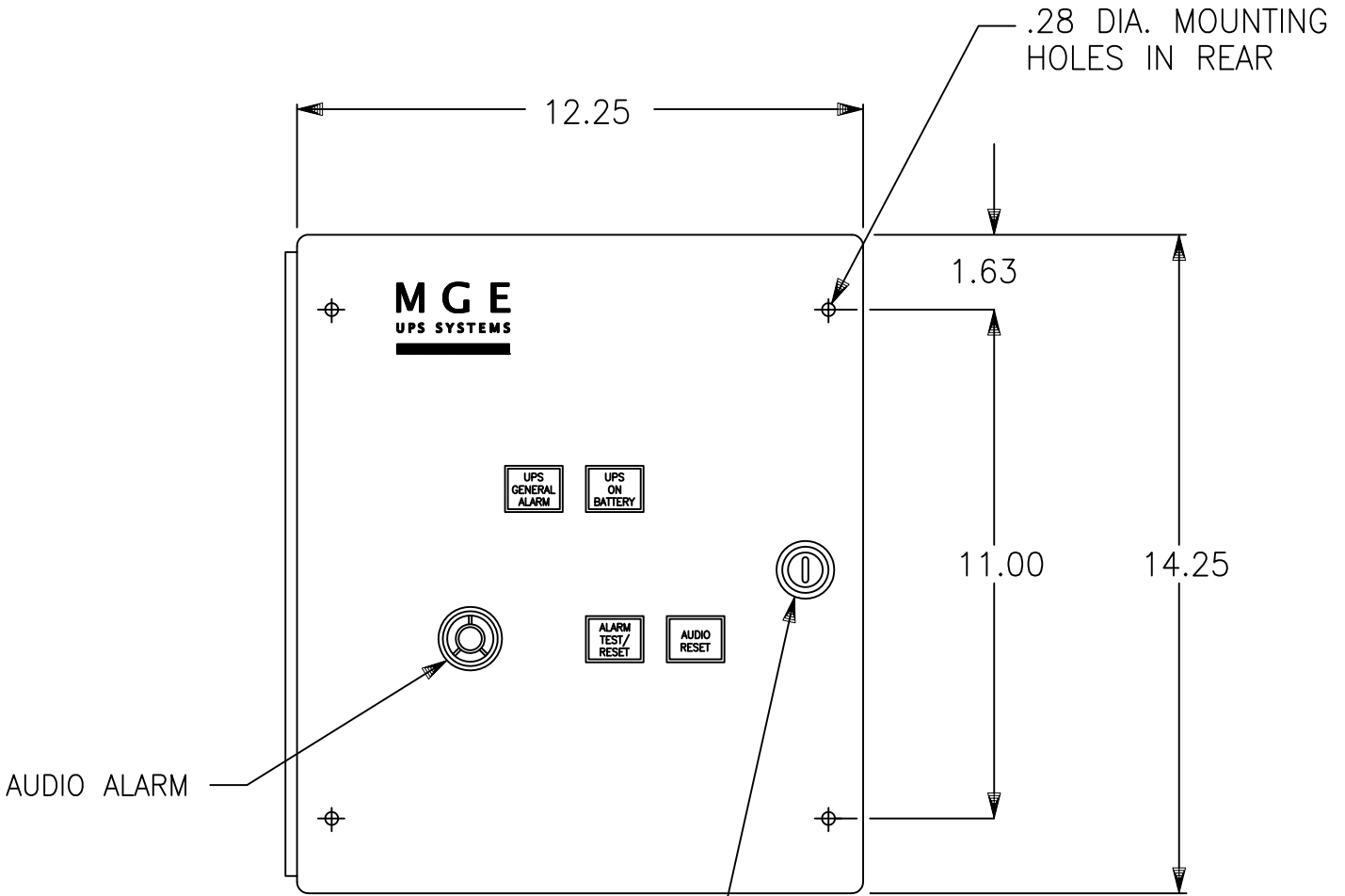
SHEET NO.	APPLICABLE PRODUCT
3	EPS6000, EPS7000, EPS8000
4	GALAXY PW225
5	EPS-3000, COMET
6	GALAXY3000, GALAXY4000, GALAXY5000

THIS DRAWING AND SPECIFICATIONS HEREIN ARE THE PROPERTY OF SCHNEIDER ELECTRIC AND SHALL NOT BE COPIED, REPRODUCED OR USED IN WHOLE OR IN PART, AS THE BASIS FOR THE MANUFACTURE OR SALE OF ITEMS WITHOUT WRITTEN PERMISSION FROM SCHNEIDER ELECTRIC. THIS DRAWING IS BASED UPON LATEST AVAILABLE INFORMATION AND IS SUBJECT TO CHANGE WITHOUT NOTICE.



TITLE:
MGE G4000
REMOTE SUMM ALARM PANEL (RSAP)
SURFACE MOUNT
INSTALLATION AND OUTLINE DRAWING
PROJECT: STD SUBMITTAL DRAWINGS SHEET 1 OF 6

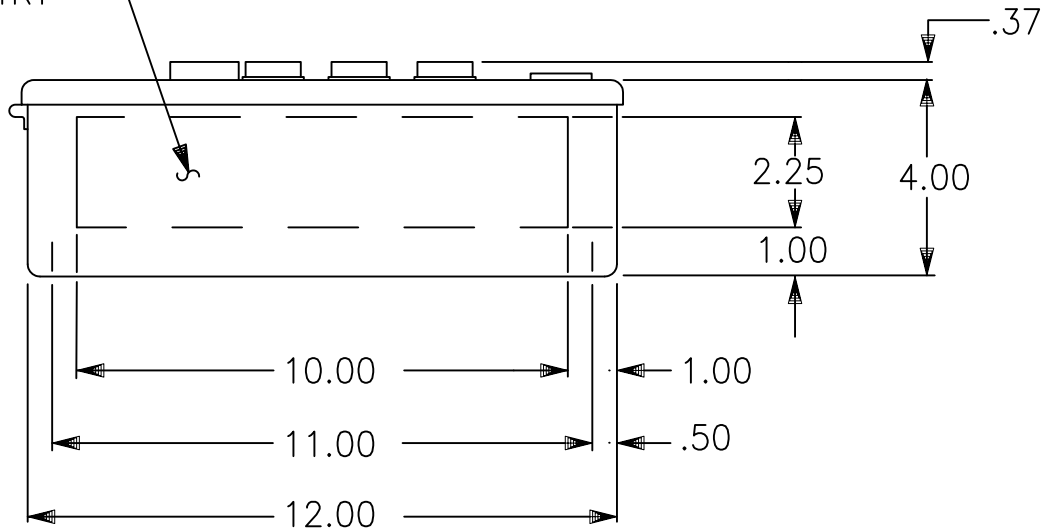
DWG NO:	90-133058-00		REV:	C01
DRAWN BY:	HD	20-MAY-02	PROJ.:	ANGLE
ENGINEER:	LNA	20-MAY-02	APPROVED BY:	LNA
	LNA	20-MAY-02		N/A



AUDIO ALARM

SUGGESTED AREA FOR WIRING ENTRY

KEY LOCK



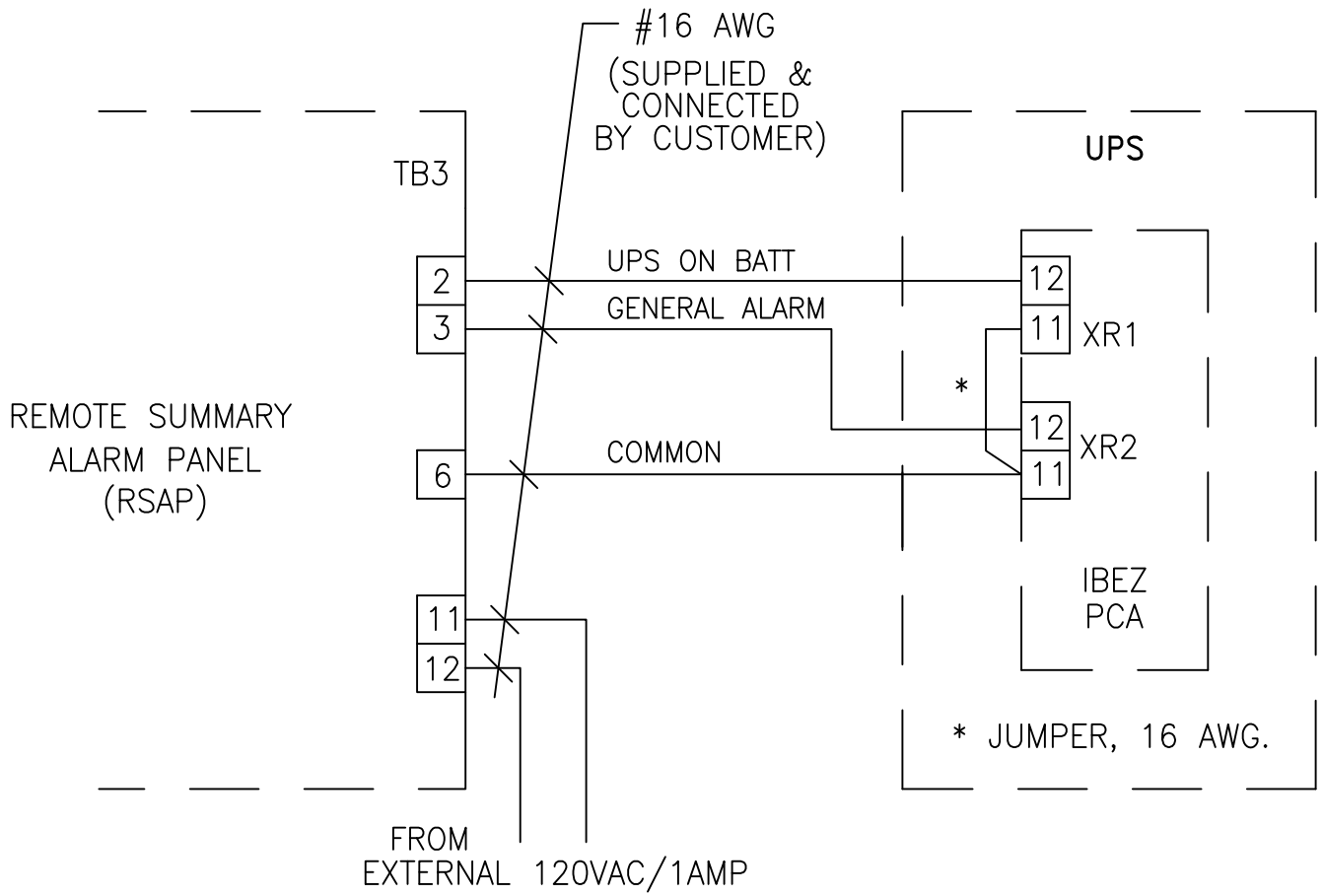
BOTTOM VIEW

THIS DRAWING AND SPECIFICATIONS HEREIN ARE THE PROPERTY OF SCHNEIDER ELECTRIC AND SHALL NOT BE COPIED, REPRODUCED OR USED IN WHOLE OR IN PART, AS THE BASIS FOR THE MANUFACTURE OR SALE OF ITEMS WITHOUT WRITTEN PERMISSION FROM SCHNEIDER ELECTRIC. THIS DRAWING IS BASED UPON LATEST AVAILABLE INFORMATION AND IS SUBJECT TO CHANGE WITHOUT NOTICE.



TITLE: MGE G4000 REMOTE SUMM ALARM PANEL (RSAP) SURFACE MOUNT INSTALLATION AND OUTLINE DRAWING
 PROJECT: STD SUBMITTAL DRAWINGS SHEET 2 OF 6

DWG NO:	90-133058-00	REV:	C01
DRAWN BY:	HD	DATE:	20-MAY-02
ENGINEER:	LNA	DATE:	20-MAY-02
APPROVED BY:	LNA	DATE:	20-MAY-02
			THIRD ANGLE PROJ.



EPS6000, EPS7000, EPS8000 INTERCONNECTION DIAGRAM

NOTES:

① REFER TO UPS INSTALLATION DWG. FOR LOCATION OF IBEZ PCA.

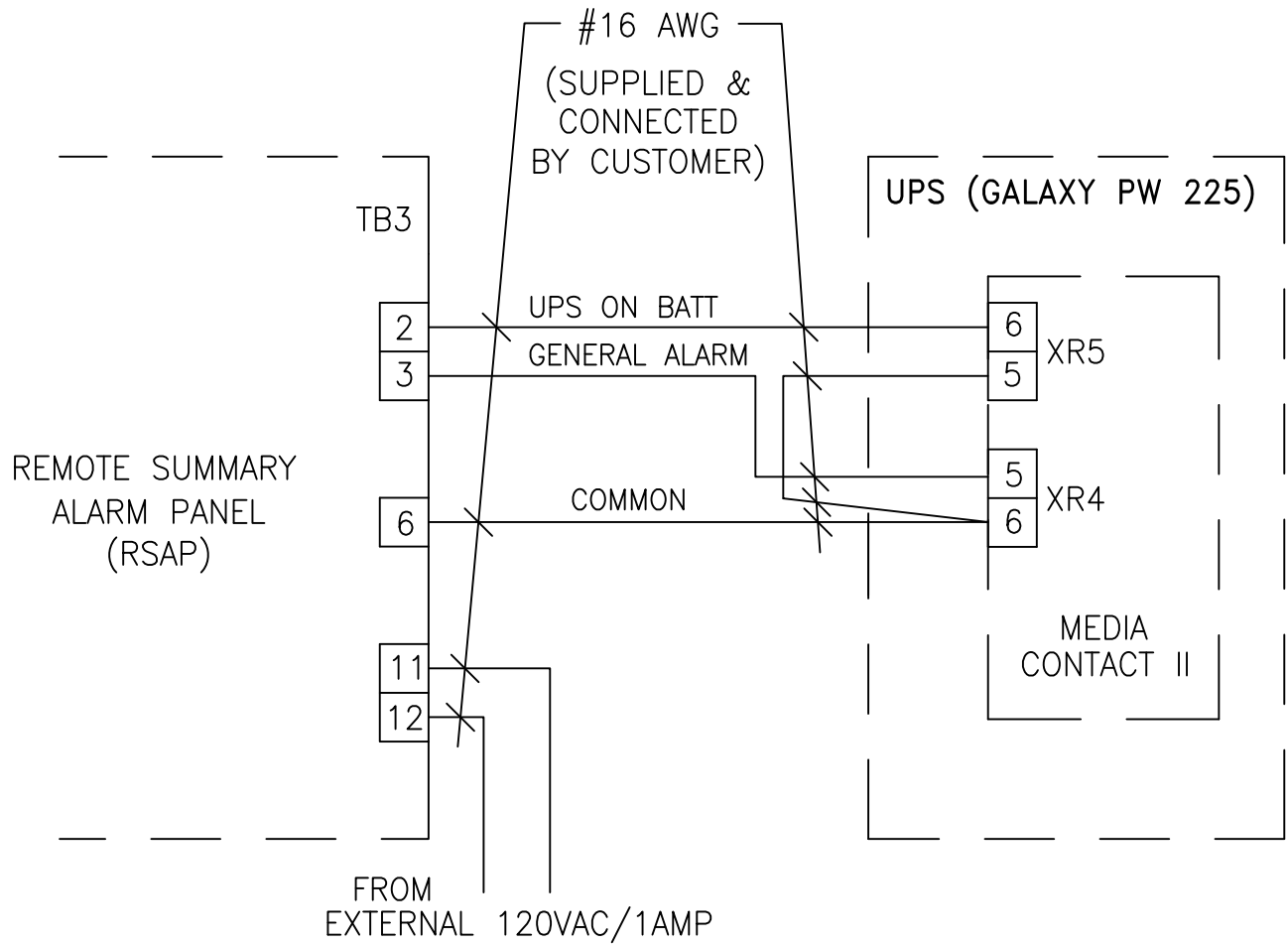
THIS DRAWING AND SPECIFICATIONS HEREIN ARE THE PROPERTY OF SCHNEIDER ELECTRIC AND SHALL NOT BE COPIED, REPRODUCED OR USED IN WHOLE OR IN PART, AS THE BASIS FOR THE MANUFACTURE OR SALE OF ITEMS WITHOUT WRITTEN PERMISSION FROM SCHNEIDER ELECTRIC. THIS DRAWING IS BASED UPON LATEST AVAILABLE INFORMATION AND IS SUBJECT TO CHANGE WITHOUT NOTICE.



TITLE:
MGE G4000
REMOTE SUMM ALARM PANEL (RSAP)
SURFACE MOUNT
INSTALLATION AND OUTLINE DRAWING
PROJECT: STD SUBMITTAL DRAWINGS SHEET 3 OF 6

DWG NO: 90-133058-00
DRAWN BY: HD 20-MAY-02
ENGINEER: LNA 20-MAY-02
APPROVED BY: LNA 20-MAY-02

REV: C01
PROJ.: ANGLE
N/A



GALAXY PW225 INTERCONNECTION DIAGRAM

NOTES:

1 REFER TO UPS INSTALLATION DWG. FOR LOCATION OF PCA.

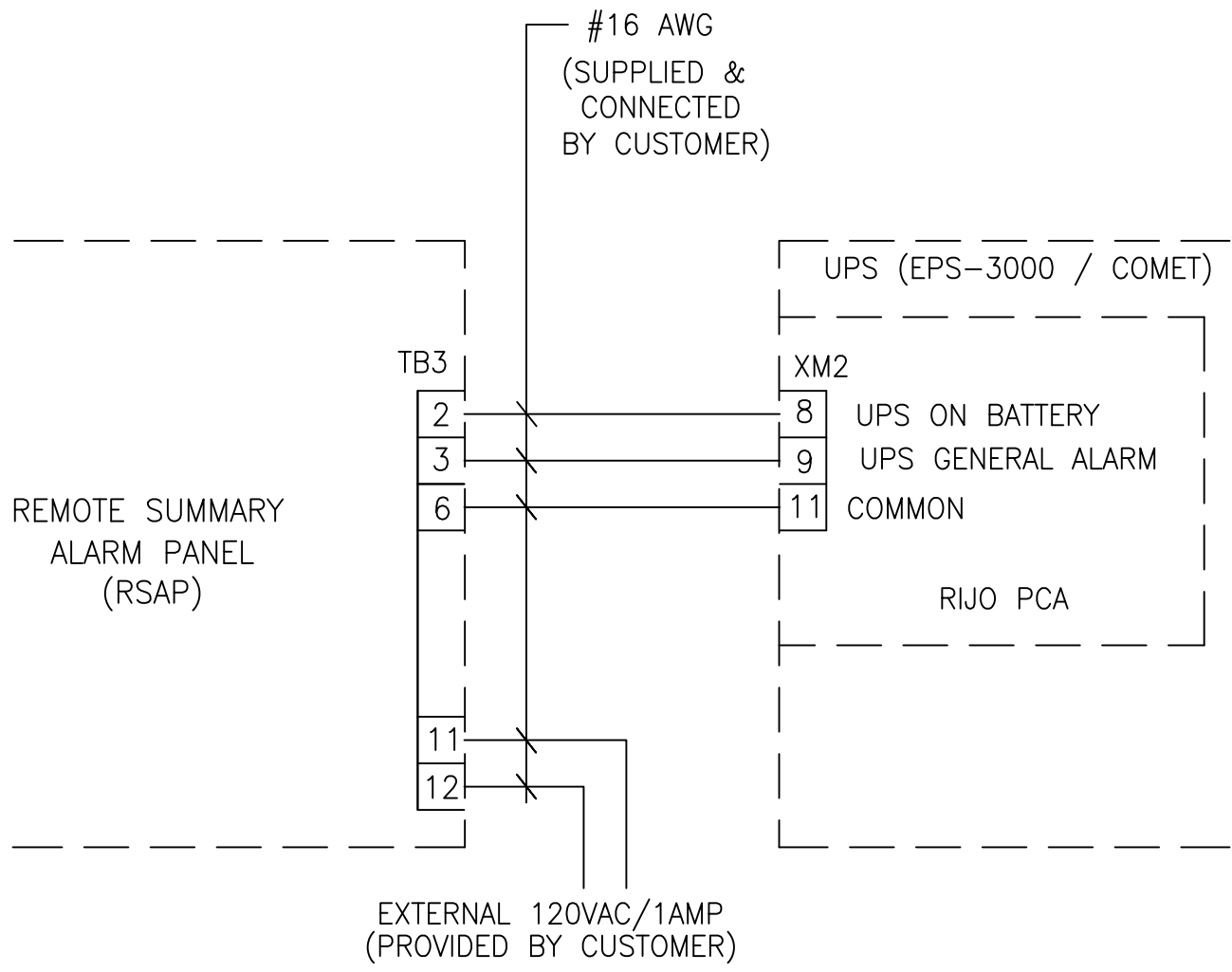
THIS DRAWING AND SPECIFICATIONS HEREIN ARE THE PROPERTY OF SCHNEIDER ELECTRIC AND SHALL NOT BE COPIED, REPRODUCED OR USED IN WHOLE OR IN PART, AS THE BASIS FOR THE MANUFACTURE OR SALE OF ITEMS WITHOUT WRITTEN PERMISSION FROM SCHNEIDER ELECTRIC. THIS DRAWING IS BASED UPON LATEST AVAILABLE INFORMATION AND IS SUBJECT TO CHANGE WITHOUT NOTICE.



TITLE:
MGE G4000
REMOTE SUMM ALARM PANEL (RSAP)
SURFACE MOUNT
INSTALLATION AND OUTLINE DRAWING
PROJECT: STD SUBMITTAL DRAWINGS SHEET 4 OF 6

DWG NO: 90-133058-00
DRAWN BY: HD 20-MAY-02
ENGINEER: LNA 20-MAY-02
APPROVED BY: LNA 20-MAY-02

REV: C01
PROJ.: ANGLE
N/A



EPS-3000/COMET INTERCONNECTION DIAGRAM

NOTES:

1. WHEN USING A SECOND REMOTE PANEL (RSAP), USE SAME WIRING AS SHOWN ON INTERCONNECT DIAGRAM.

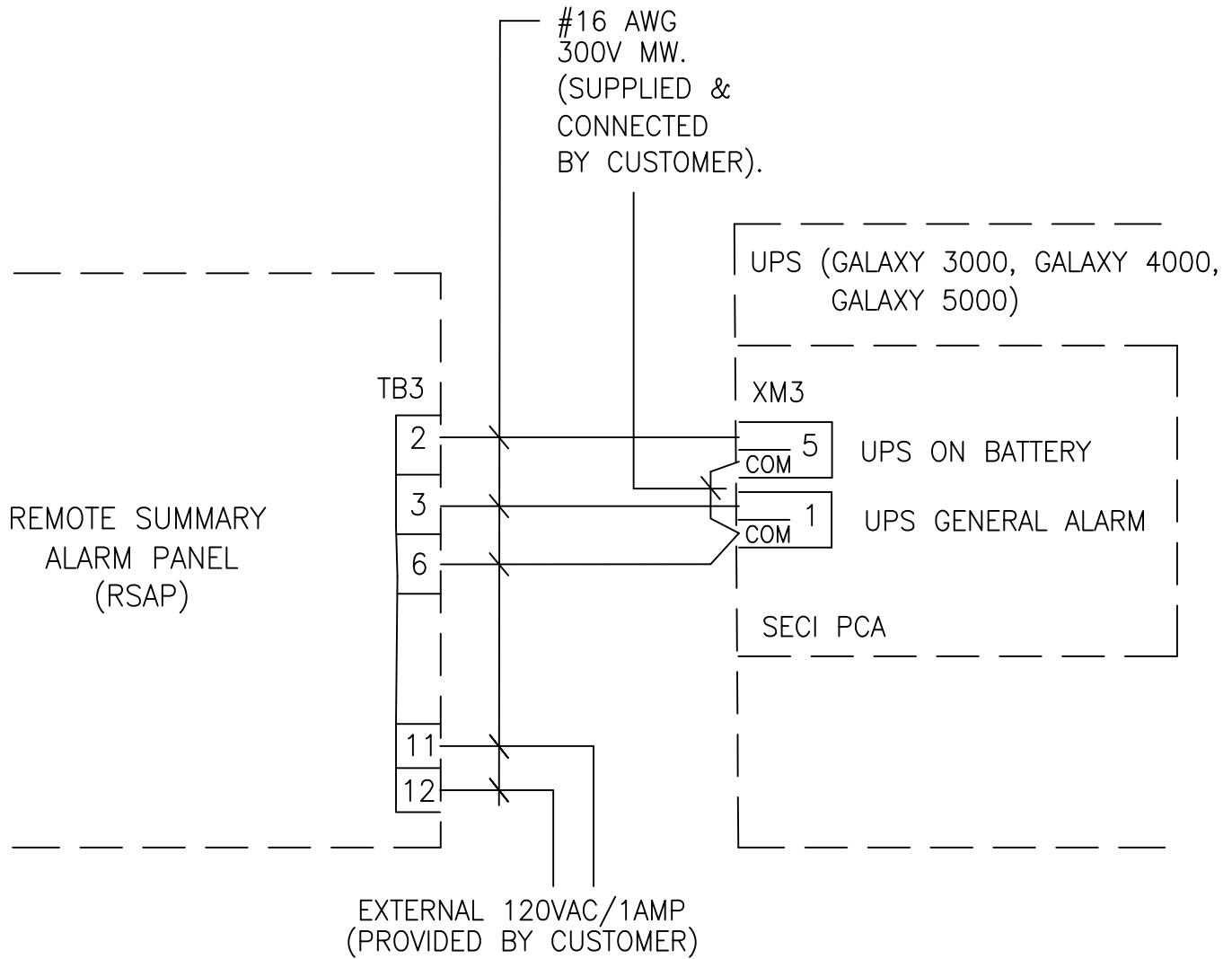
THIS DRAWING AND SPECIFICATIONS HEREIN ARE THE PROPERTY OF SCHNEIDER ELECTRIC AND SHALL NOT BE COPIED, REPRODUCED OR USED IN WHOLE OR IN PART, AS THE BASIS FOR THE MANUFACTURE OR SALE OF ITEMS WITHOUT WRITTEN PERMISSION FROM SCHNEIDER ELECTRIC. THIS DRAWING IS BASED UPON LATEST AVAILABLE INFORMATION AND IS SUBJECT TO CHANGE WITHOUT NOTICE.



TITLE:
MGE G4000
REMOTE SUMM ALARM PANEL (RSAP)
SURFACE MOUNT
INSTALLATION AND OUTLINE DRAWING
PROJECT: STD SUBMITTAL DRAWINGS SHEET 5 OF 6

DWG NO: 90-133058-00
DRAWN BY: HD 20-MAY-02
ENGINEER: LNA 20-MAY-02
APPROVED BY: LNA 20-MAY-02

REV: C01
PROJ.: ANGLE
N/A



GALAXY 3000, GALAXY 4000, GALAXY 5000 INTERCONNECTION DIAGRAM

NOTES:

1. WHEN USING A SECOND REMOTE PANEL (RSAP), USE SAME WIRING ALSO AS SHOWN ON INTERCONNECT DIAGRAM.

THIS DRAWING AND SPECIFICATIONS HEREIN ARE THE PROPERTY OF SCHNEIDER ELECTRIC AND SHALL NOT BE COPIED, REPRODUCED OR USED IN WHOLE OR IN PART, AS THE BASIS FOR THE MANUFACTURE OR SALE OF ITEMS WITHOUT WRITTEN PERMISSION FROM SCHNEIDER ELECTRIC. THIS DRAWING IS BASED UPON LATEST AVAILABLE INFORMATION AND IS SUBJECT TO CHANGE WITHOUT NOTICE.



TITLE:
MGE G4000
REMOTE SUMM ALARM PANEL (RSAP)
SURFACE MOUNT
INSTALLATION AND OUTLINE DRAWING
PROJECT: STD SUBMITTAL DRAWINGS SHEET 6 OF 6

DWG NO: 90-133058-00
DRAWN BY: HD 20-MAY-02
ENGINEER: LNA 20-MAY-02
APPROVED BY: LNA 20-MAY-02

REV: C01
PROJ.: ANGLE
N/A