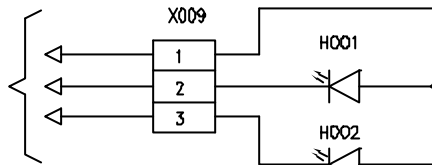
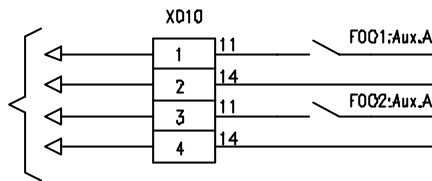


CONTROL CIRCUIT

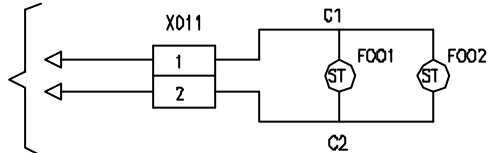
LED signal from UPS
"OK for operating corresponding MCCB"



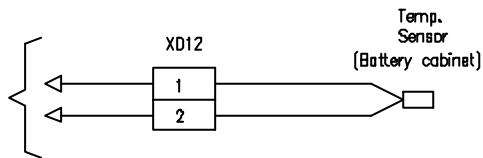
MCCB position signals for UPS



Trip for emergency stop (220-240V AC)



Battery temperature sensing for compensation of charging voltage

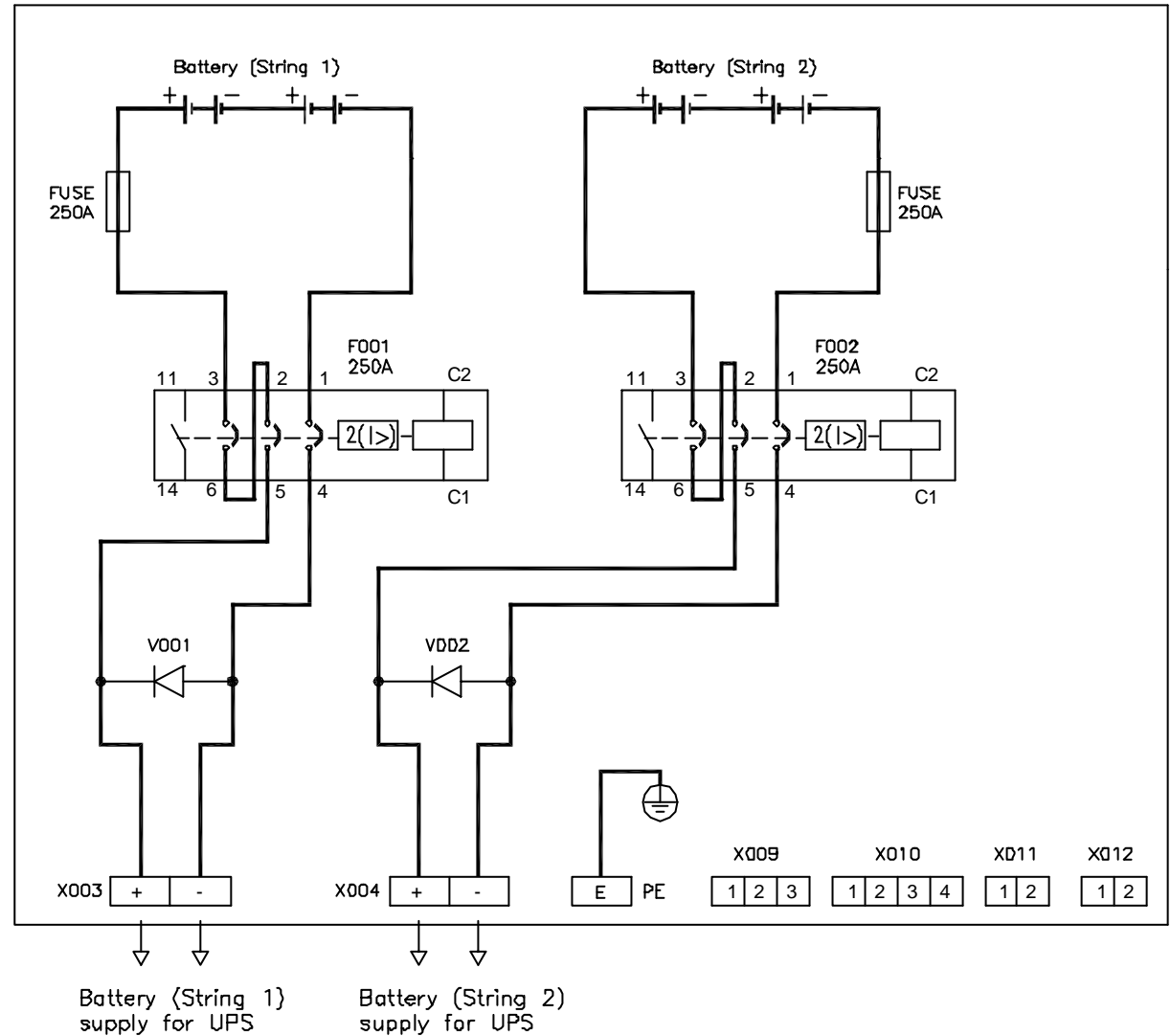


NOTE:

ST : Shunt trip

C1,C2 : Shunt trip coil connections

POWER CIRCUIT



Battery (String 1)
supply for UPS

Battery (String 2)
supply for UPS

THIS DRAWING AND SPECIFICATIONS HEREIN ARE THE PROPERTY OF AMERICAN POWER CONVERSION AND SHALL NOT BE COPIED, REPRODUCED OR USED IN WHOLE OR IN PART, AS THE BASIS FOR THE MANUFACTURE OR SALE OF ITEMS WITHOUT WRITTEN PERMISSION FROM APC. THIS DRAWING IS BASED UPON LATEST AVAILABLE INFORMATION AND IS SUBJECT TO CHANGE WITHOUT NOTICE.

TITLE: SILICON UPS 120/160kW
BATTERY CABINET-ELECTRICAL SCHEMATIC (H2 STYLE)
120/160kW, 400V
PROJECT: SUBMITTAL DRAWINGS SHEET 1 OF 1

DWG NO: SLB120K160H2-ES
DRAWN: BALAMURIGAN
CHECKED: N SALOKHE
ENGINEER: P.FRANCIS/SWACH
12/07/01
12/07/01

REV: -
SCALE: NTS
PROJECTION: 1st Angle

