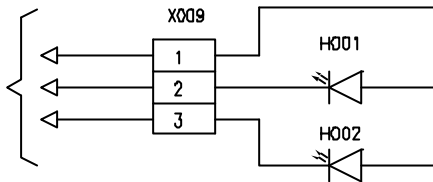
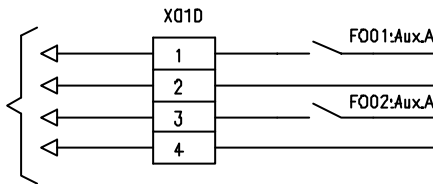


CONTROL CIRCUIT

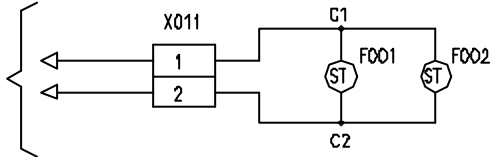
LED signal from UPS
"OK for operating corresponding MCCB"



MCCB position signals for UPS



Trip for emergency stop
(220-240V AC)

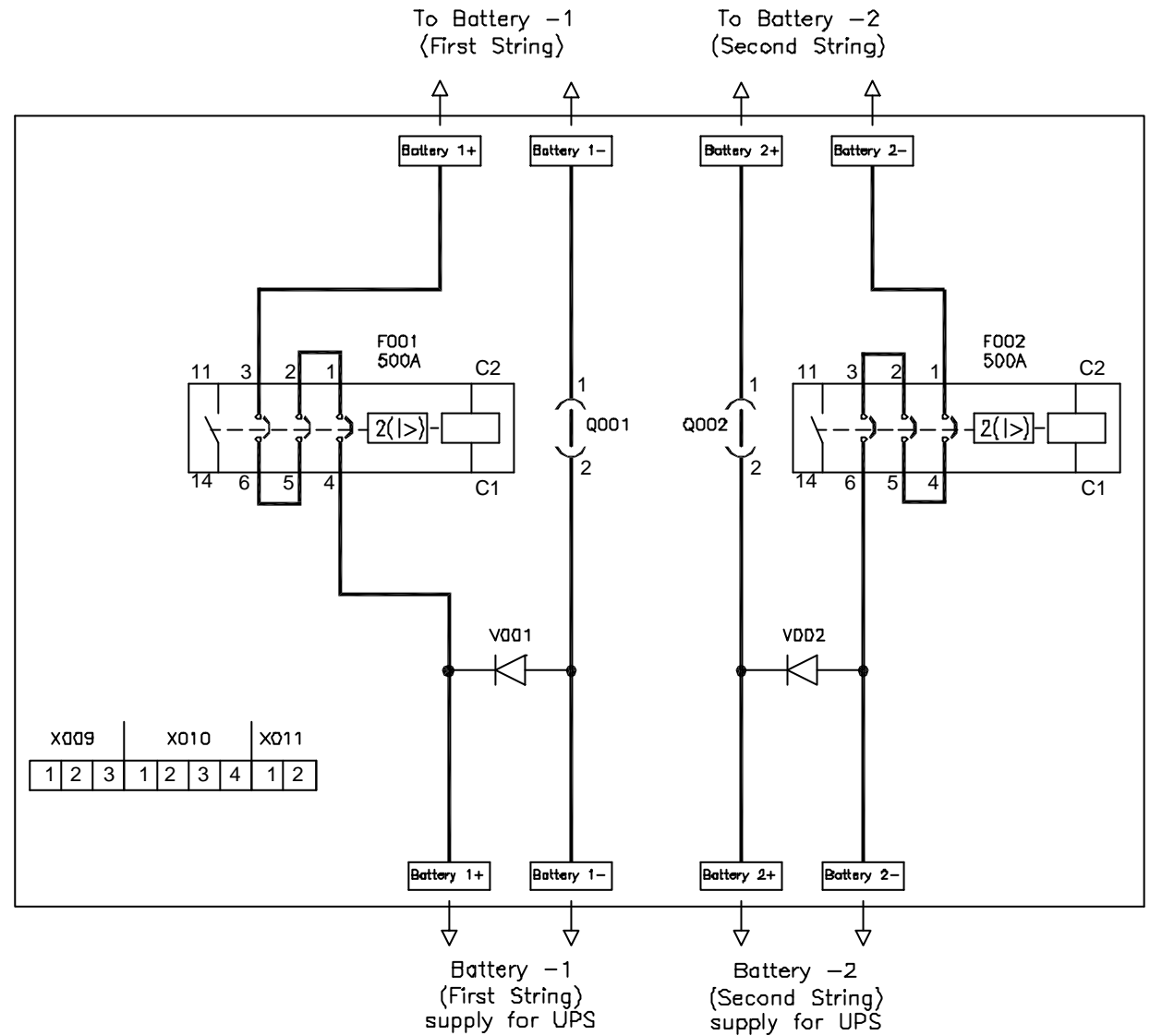


NOTE:

ST : Shunt trip

C1,C2 : Shunt trip coil connections

POWER CIRCUIT



X009			X010				X011	
1	2	3	1	2	3	4	1	2

THIS DRAWING AND SPECIFICATIONS HEREIN ARE THE PROPERTY OF AMERICAN POWER CONVERSION AND SHALL NOT BE COPIED, REPRODUCED OR USED IN WHOLE OR IN PART, AS THE BASIS FOR THE MANUFACTURE OR SALE OF ITEMS WITHOUT WRITTEN PERMISSION FROM APC. THIS DRAWING IS BASED UPON LATEST AVAILABLE INFORMATION AND IS SUBJECT TO CHANGE WITHOUT NOTICE.

TITLE: SILCON 320kW UPS
BATTERY BREAKER BOX -
ELECTRICAL SCHEMATIC
320kW, 400V

PROJECT: SUBMITTAL DRAWINGS SHEET 1 OF 1

DWG NO: SBB320KH-ES

SCALE: NTS

PROJECTION

ENGINEER: C.Rochford/BJMg

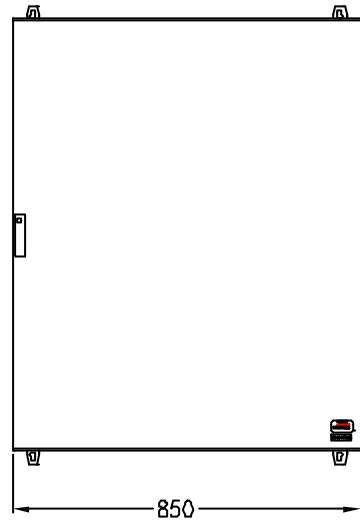
REV. -

DATE: 04/01/02

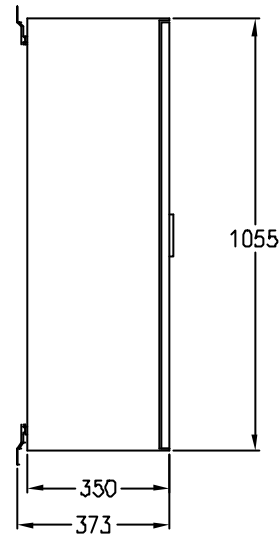
DATE: 04/01/02

DATE: 04/01/02

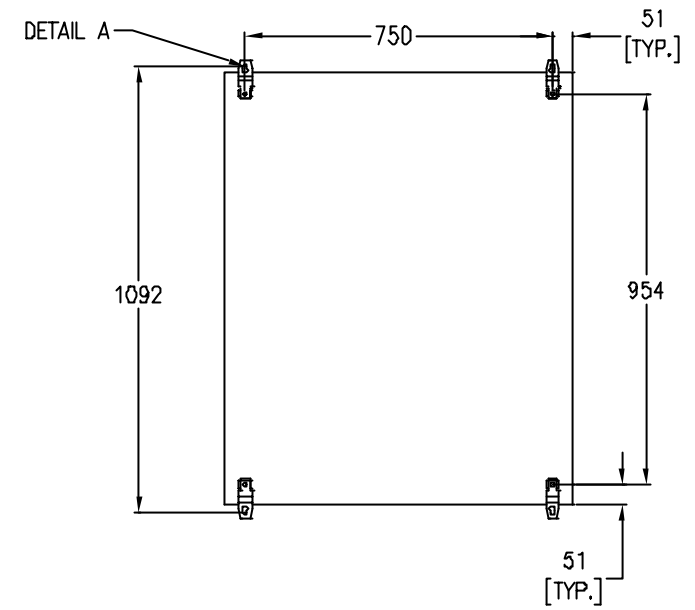




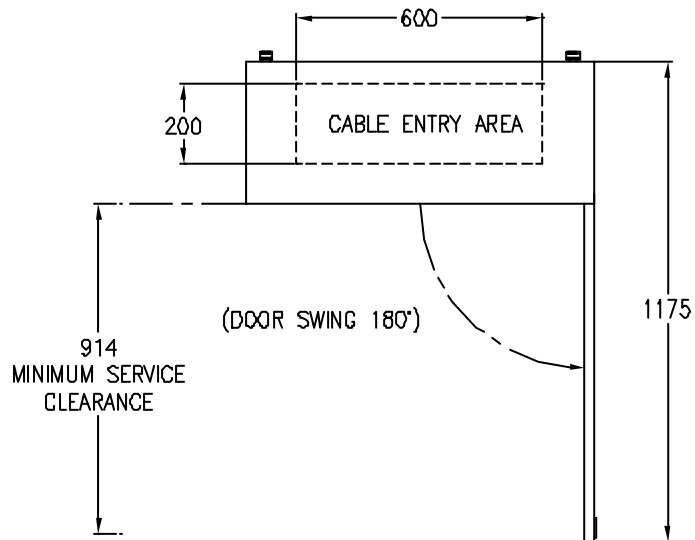
FRONT VIEW



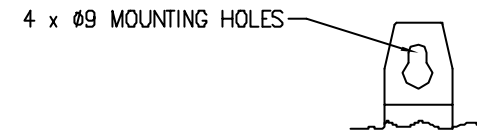
LEFT SIDE VIEW



REAR VIEW
(MOUNTING HOLE LOCATIONS)



TOP VIEW



DETAIL A
(ENLARGED VIEW)

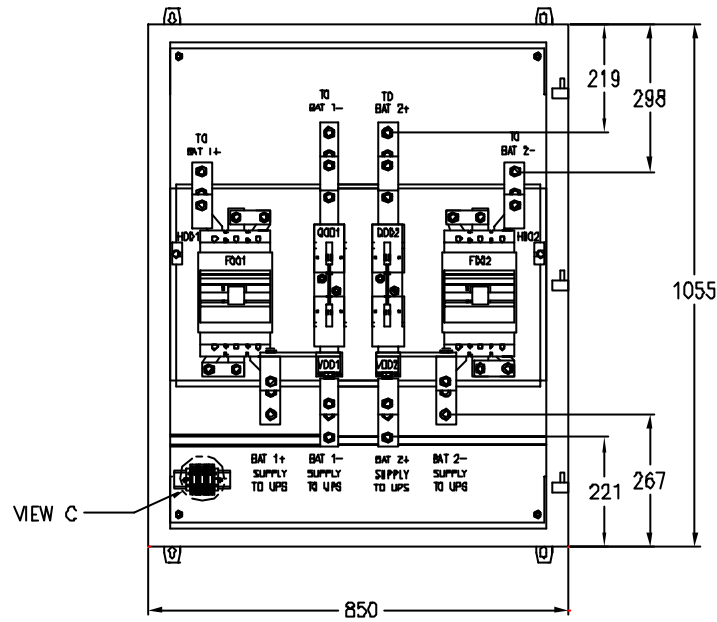
NOTES:

1. ALL DIMENSIONS ARE IN MILLIMETERS.
2. MINIMUM SERVICE CLEARANCE IS 914 FRONT AND RIGHT.
3. CONDUIT ENTRY IS TOP OR BOTTOM OF UNIT.
4. UNIT WEIGHT IS 100 kg.
5. INSTALLATION MUST COMPLY WITH ALL APPLICABLE NATIONAL AND LOCAL STANDARDS.

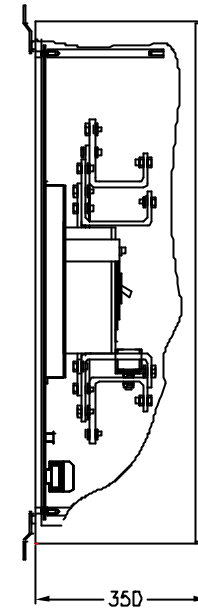
THIS DRAWING AND SPECIFICATIONS HEREIN ARE THE PROPERTY OF AMERICAN POWER CONVERSION AND SHALL NOT BE COPIED, REPRODUCED OR USED IN WHOLE OR IN PART, AS THE BASIS FOR THE MANUFACTURE OR SALE OF ITEMS WITHOUT WRITTEN PERMISSION FROM APC. THIS DRAWING IS BASED UPON LATEST AVAILABLE INFORMATION AND IS SUBJECT TO CHANGE WITHOUT NOTICE.

TITLE: SILICON 320kW UPS BATTERY BREAKER BOX - MAIN MECHANICAL 320kW, 400V	DWG NO: SBB320KH-MM	REV: -
DRAWN: Balaramurugan	04/01/02	SCALE: 1:1
CHECKED: Yogesh	04/01/02	PRODUCTION
PROJECT: SUBMITTAL DRAWINGS	SHEET 1 OF 1	ENGINEER: C.Rodford

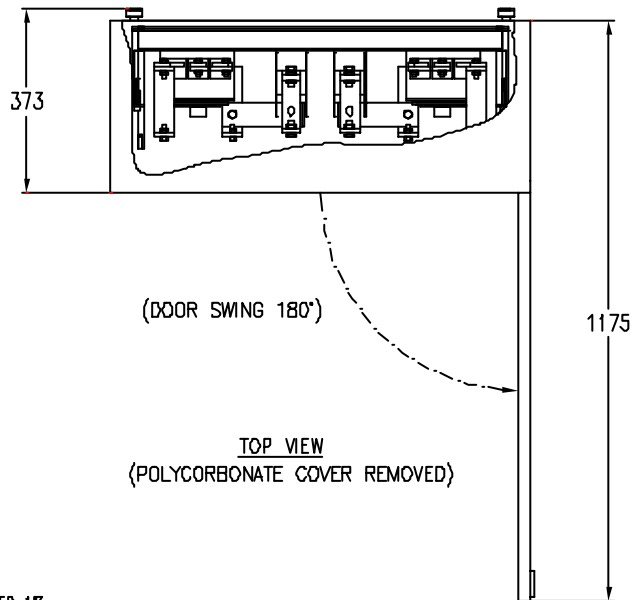




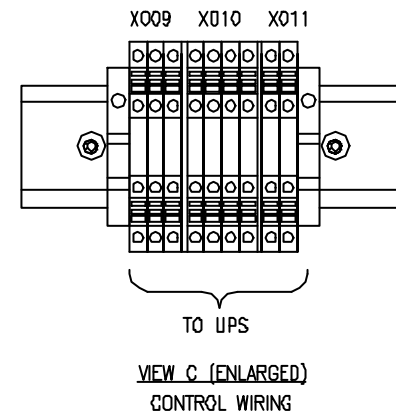
FRONT VIEW
(DOOR AND POLYCARBONATE COVER REMOVED)



LEFT SIDE VIEW
(POLYCARBONATE COVER REMOVED)



TOP VIEW
(POLYCARBONATE COVER REMOVED)



VIEW C (ENLARGED)
CONTROL WIRING

NOTES:

1. ALL DIMENSIONS ARE IN MILLIMETERS.
2. BATTERY CABLING VOLTAGE DRDP SHOULD NOT EXCEED 1%.
3. CIRCUIT BREAKERS FO01,FO02 ARE 500 AMP.
4. WIRING CONFIGURATION SHOWN IS FOR REFERENCE ONLY.
5. INSTALLATION MUST COMPLY WITH ALL APPLICABLE NATIONAL AND LOCAL CODES.

THIS DRAWING AND SPECIFICATIONS HEREIN ARE THE PROPERTY OF AMERICAN POWER CONVERSION AND SHALL NOT BE COPIED, REPRODUCED OR USED IN WHOLE OR IN PART, AS THE BASIS FOR THE MANUFACTURE OR SALE OF ITEMS WITHOUT WRITTEN PERMISSION FROM APC. THIS DRAWING IS BASED UPON LATEST AVAILABLE INFORMATION AND IS SUBJECT TO CHANGE WITHOUT NOTICE.

TITLE: SILICON 320kW UPS
BATTERY BREAKER BOX -
ELECTRO MECHANICAL
320kW, 400V

DWG NO: SBB320KH-ME

REV. -

DRAWN: Bhimurugan 04/01/02 SCALE: 1:1

CHECKED: Yogesh 04/01/02 PROJECTION

PROJECT: SUBMITTAL DRAWINGS SHEET 1 OF 1

ENGINEER: C.Rochford 04/01/02

