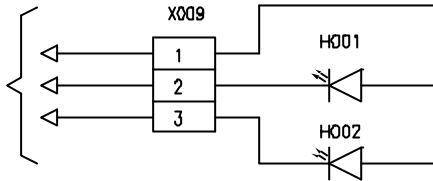
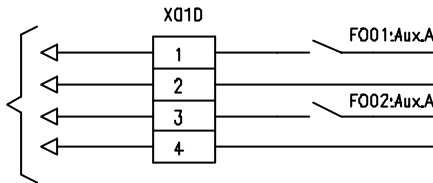


CONTROL CIRCUIT

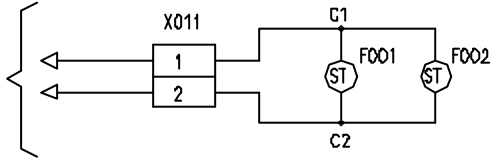
LED signal from UPS
"OK for operating corresponding MCCB"



MCCB position signals for UPS



Trip for emergency stop (220-240V AC)



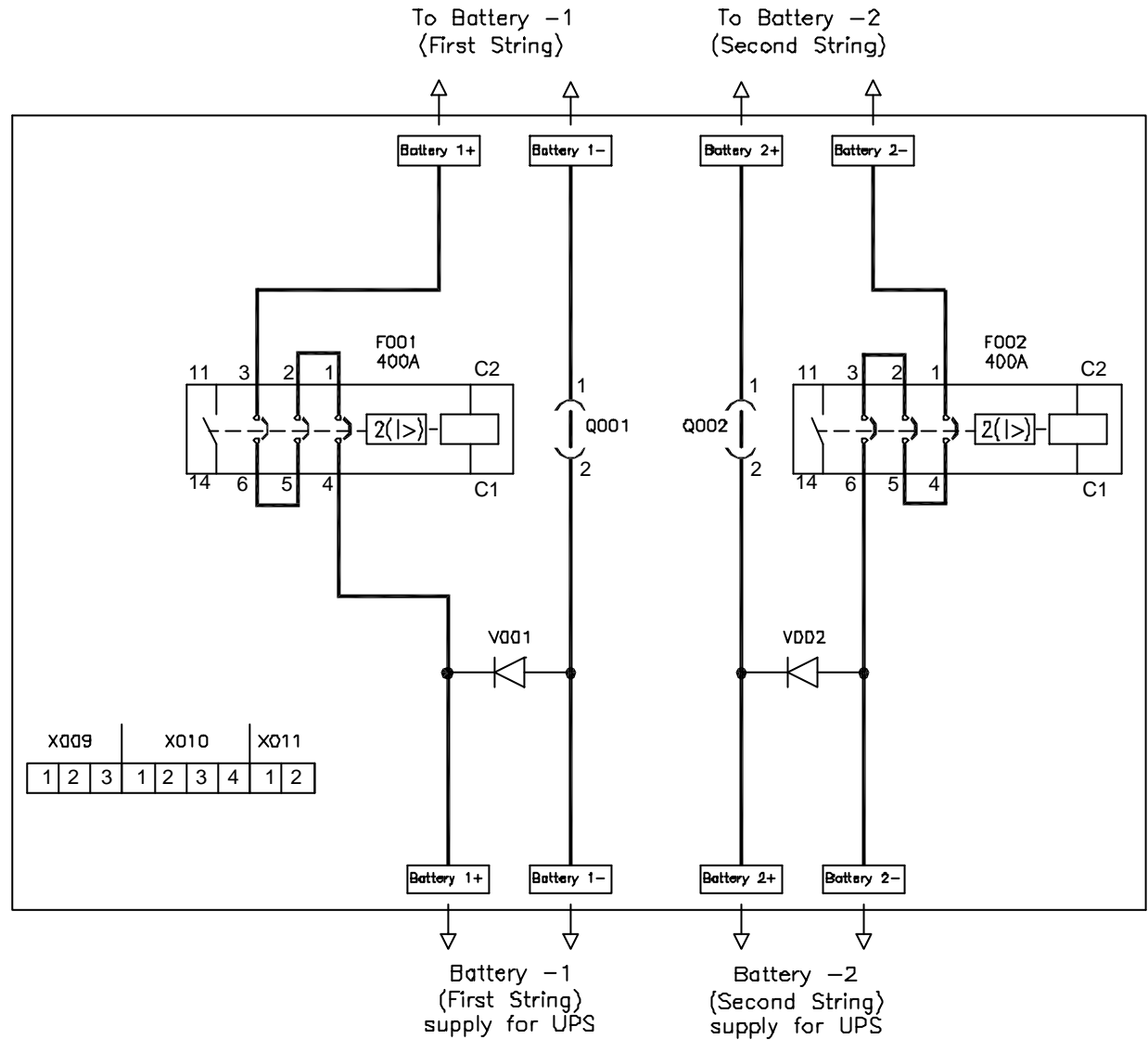
NOTE:

ST : Shunt trip

C1,C2 : Shunt trip coil connections

X009	X010	X011
1 2 3	1 2 3 4	1 2

POWER CIRCUIT



THIS DRAWING AND SPECIFICATIONS HEREIN ARE THE PROPERTY OF AMERICAN POWER CONVERSION AND SHALL NOT BE COPIED, REPRODUCED OR USED IN WHOLE OR IN PART, AS THE BASIS FOR THE MANUFACTURE OR SALE OF ITEMS WITHOUT WRITTEN PERMISSION FROM APC. THIS DRAWING IS BASED UPON LATEST AVAILABLE INFORMATION AND IS SUBJECT TO CHANGE WITHOUT NOTICE.

TITLE: SILCON 240kW UPS
BATTERY BREAKER BOX -
ELECTRICAL SCHEMATIC
240kW, 400V

DWG NO: SBB240KH-ES

REV. -

DRAWN: Badarmungun 04/01/02 SCALE: NTS

CHECKED: N.Selatin 04/01/02 PROJECTION

PROJECT: SUBMITTAL DRAWINGS SHEET 1 OF 1

ENGINEER: C.Rochford/BJMg 04/01/02

