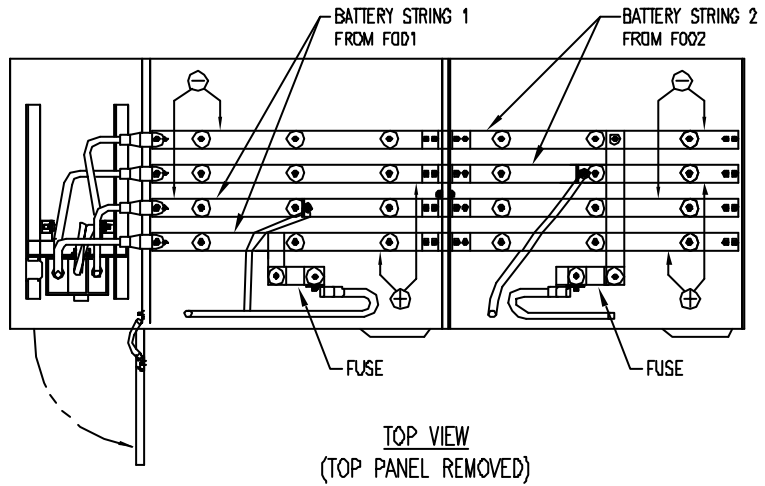


VIEW B (ENLARGED)  
CONTROL WIRING



**NOTE:**

1. ALL DIMENSIONS ARE IN MILLIMETERS.
2. BATTERY CABLING VOLTAGE DROP SHOULD NOT EXCEED 1%.
3. CIRCUIT BREAKERS F001, F002 AND FUSES ARE 250 AMP.
4. WIRING CONFIGURATION SHOWN IS FOR REFERENCE ONLY.
5. PLEASE REFER TO THE APC SILCON INSTALLATION GUIDE FOR CABLE DIMENSIONS.
6. INSTALLATION MUST COMPLY WITH ALL APPLICABLE NATIONAL AND LOCAL CODES.

THIS DRAWING AND SPECIFICATIONS HEREIN ARE THE PROPERTY OF AMERICAN POWER CONVERSION AND SHALL NOT BE COPIED, REPRODUCED OR USED IN WHOLE OR IN PART, AS THE BASIS FOR THE MANUFACTURE OR SALE OF ITEMS WITHOUT WRITTEN PERMISSION FROM APC. THIS DRAWING IS BASED UPON LATEST AVAILABLE INFORMATION AND IS SUBJECT TO CHANGE WITHOUT NOTICE.

TITLE: SILCON UPS 120/160kW BATTERY CABINET, ELECTRICAL (H5-2C STYLE) 120/160kW, 400V	DWG NO: SLB120K160H5-2C-ME	REV: -
DRWGR: Nijendra.K	17/05/11	SCALE: 1:1
CHECKER: M.Lepard	17/05/11	PROJECTION
PROJECT: SUBMITTAL DRAWINGS SHEET 1 OF 1	ENGINEER: P.Francis	17/05/11

