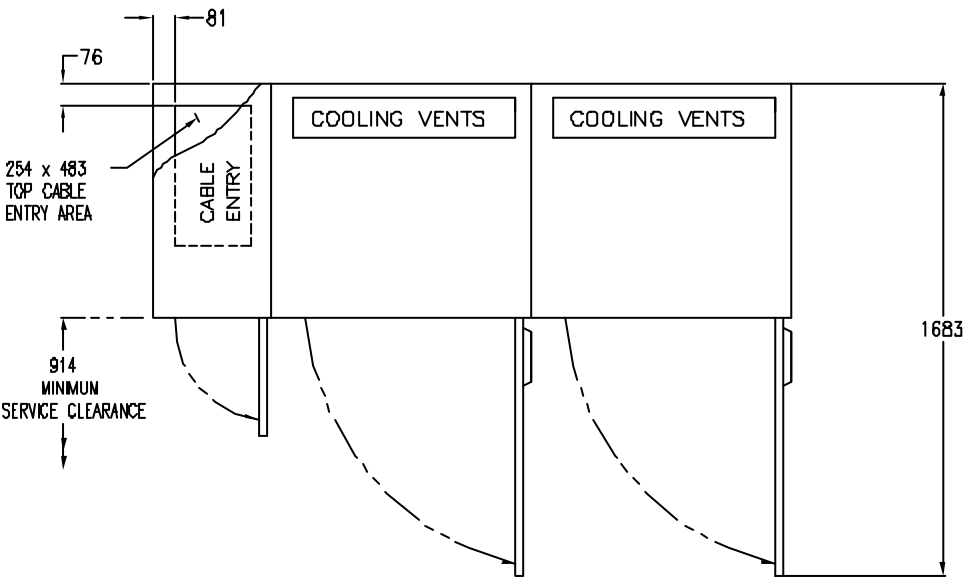
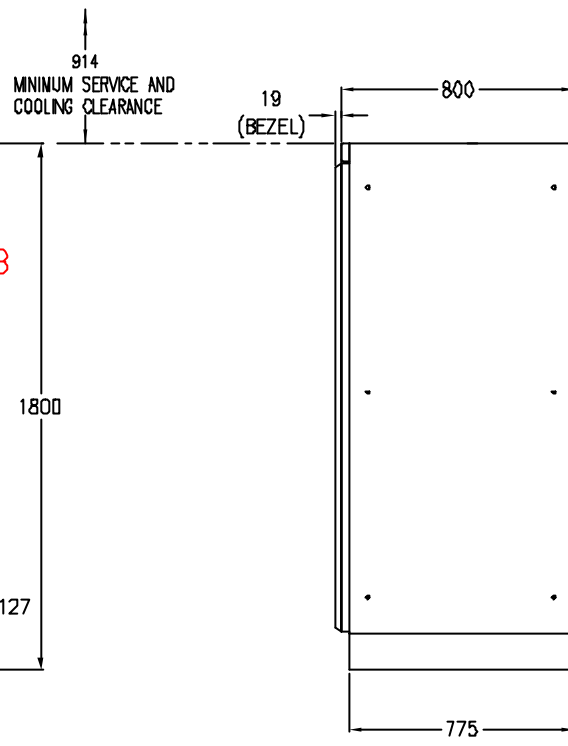


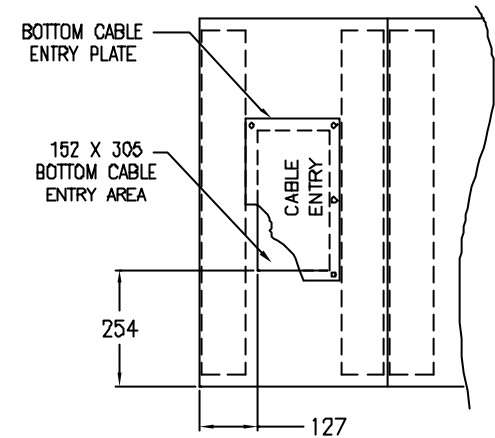
FRONT VIEW



TOP VIEW



VIEW-B
RIGHT SIDE VIEW



SECTION A-A (ENLARGED VIEW)
VIEW FROM INSIDE CABINET, LOOKING DOWN

NOTES:

1. ALL DIMENSIONS ARE IN MILLIMETERS.
2. MINIMUM COOLING AND SERVICE CLEARANCE IS 914 mm.
3. CABLE ENTRY IS TOP OR BOTTOM OF UNIT.
4. UNIT WEIGHT IS 3830 kg.
5. MAIN CABINETS ARE SHIPPED WITH ONE SIDE PANEL ONLY (OPPOSITE OF CIRCUIT BREAKER SIDE).
6. BOTTOM CABLE ENTRY PLATE SIZE IS 203x356x2.67mm. TOP COVER IS 2.67mm THICK.
7. INSTALLATION MUST COMPLY WITH ALL APPLICABLE NATIONAL AND LOCAL CODES.

THIS DRAWING AND SPECIFICATIONS HEREIN ARE THE PROPERTY OF AMERICAN POWER CONVERSION AND SHALL NOT BE COPIED, REPRODUCED OR USED IN WHOLE OR IN PART, AS THE BASIS FOR THE MANUFACTURE OR SALE OF ITEMS WITHOUT WRITTEN PERMISSION FROM APC. THIS DRAWING IS BASED UPON LATEST AVAILABLE INFORMATION AND IS SUBJECT TO CHANGE WITHOUT NOTICE.

TITLE: SILCON UPS 240/320kW
BATTERY CABINET, MECHANICAL
(H6-2C STYLE)
240/320kW, 400V

DWG NO:	SLB240K320H6-2C-MM	REV.	—
DRAWN:	B. Suresh	24/07/01	SCALE: 1:1
CHECKED:	M. Lapard	24/07/01	PROJECTION
PROJECT: SUBMITTAL DRAWINGS	SHEET 1 OF 1	ENGINEER:	P. J. Verdu

