

SILCON BATTERY BREAKER BOX SPECIFICATION

1. SYSTEM MAINS SUPPLY RATING

Mains voltage : 2x400V DC
Control Voltage : 230V at 50Hz
Short-circuit current I_{cc} : 10 kA

2. STANDARDS

The Silcon Battery Breaker Box is built according to : IEC 439-1

3. ENVIRONMENTS

The assembly is made for an ambient temperature of : Max: +40°C and Min : -5°C

4. ENCLOSURE

The enclosure of the assembly is : IP20 and Form 1
The assembly material is : Plastic

5. POSITIONING

The assembly is made for indoor installation on: floor
 wall

6. DIMENSIONS AND WEIGHTS

Height : 540 mm
Width : 540 mm
Depth : 183 mm
Weight : 20 kg

7. CABLE ENTRIES

Inlets for UPS: Bottom
Outlets for Batteries: Top

8. CONNECTIONS

Power Circuits: Input Output
Control Circuits: Terminals

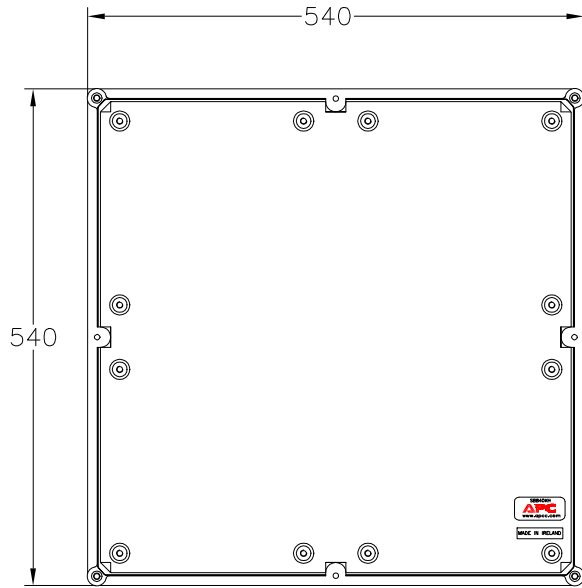
THIS DRAWING AND SPECIFICATIONS HEREIN ARE THE PROPERTY OF AMERICAN POWER CONVERSION AND SHALL NOT BE COPIED, REPRODUCED OR USED IN WHOLE OR IN PART, AS THE BASIS FOR THE MANUFACTURE OR SALE OF ITEMS WITHOUT WRITTEN PERMISSION FROM APC. THIS DRAWING IS BASED UPON LATEST AVAILABLE INFORMATION AND IS SUBJECT TO CHANGE WITHOUT NOTICE.

TITLE: SILCON 40kW UPS
BATTERY BREAKER BOX,
SPECIFICATION SHEET
40kW, 400V
PROJECT: SUBMITTAL DRAWINGS SHEET 1 OF 8

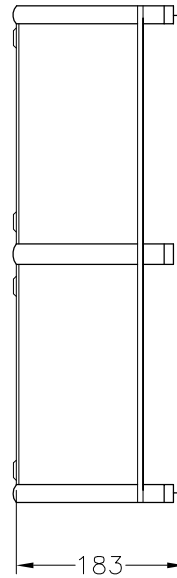
DWG NO: SBB40KH-SP
DRAWN BY: M.ZON 16/12/03
CHECKED BY: B.NIELSEN 16/12/03
ENGINEER: CLARSEN 16/12/03

REV. -
PROJECTION

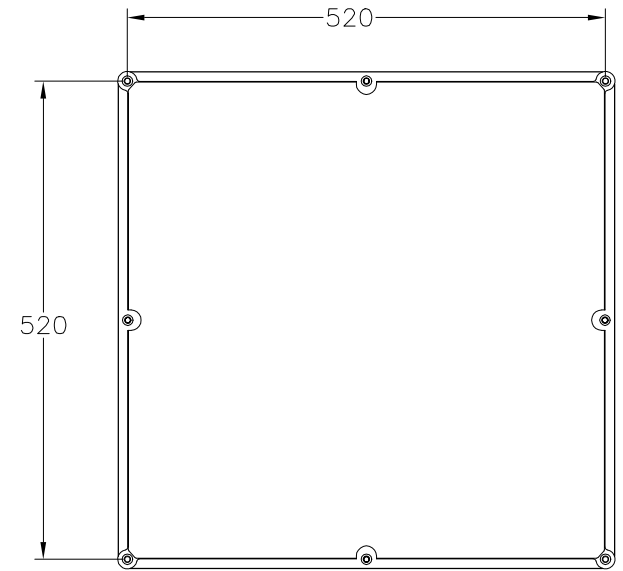
APC[®]
AMERICAN POWER CONVERSION
132 FAIRGROUNDS RD
WEST KINGSTON, RI 02892



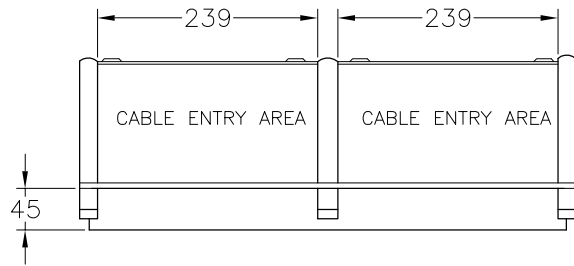
FRONT VIEW



LEFT SIDE VIEW



REAR VIEW
(MOUNTING LOCATIONS OF WALL FIXING LUGS)



TOP VIEW

NOTES:

1. ALL DIMENSIONS ARE IN MILLIMETERS.
2. MINIMUM SERVICE CLEARANCE IS 700 FRONT.
3. CONDUIT ENTRY IS TOP OR BOTTOM OF UNIT.
4. UNIT WEIGHT IS 20 kg.
5. INSTALLATION MUST COMPLY WITH ALL APPLICABLE NATIONAL AND LOCAL STANDARDS.

THIS DRAWING AND SPECIFICATIONS HEREIN ARE THE PROPERTY OF AMERICAN POWER CONVERSION AND SHALL NOT BE COPIED, REPRODUCED OR USED IN WHOLE OR IN PART, AS THE BASIS FOR THE MANUFACTURE OR SALE OF ITEMS WITHOUT WRITTEN PERMISSION FROM APC. THIS DRAWING IS BASED UPON LATEST AVAILABLE INFORMATION AND IS SUBJECT TO CHANGE WITHOUT NOTICE.

TITLE: SILICON 40kW UPS
BATTERY BREAKER BOX,
MAIN MECHANICAL
40kW, 400V

PROJECT: SUBMITTAL DRAWINGS SHEET 2 OF 8

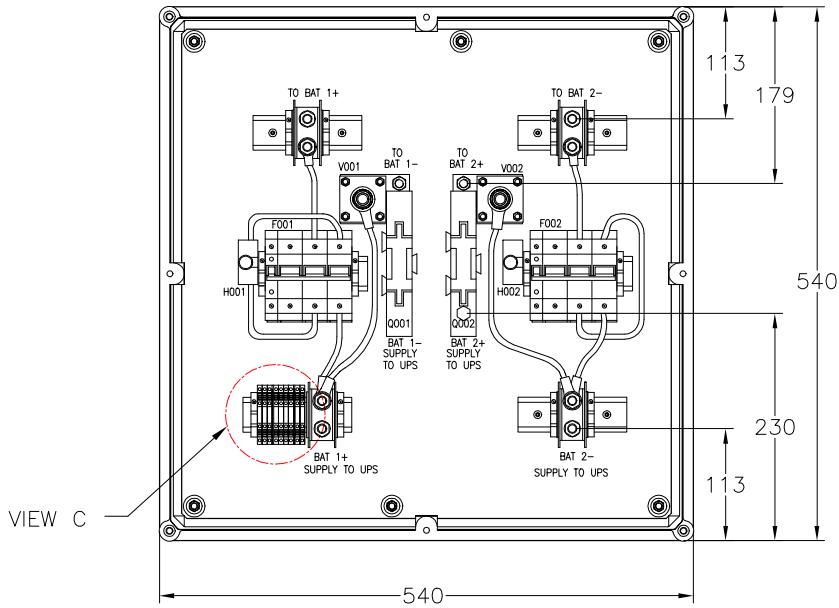
DWG NO: SBB40KH-MM

DRAWN BY: M.ZON	16/12/03
CHECKED BY: B.NIELSEN	16/12/03
ENGINEER: C.JARSEN	16/12/03

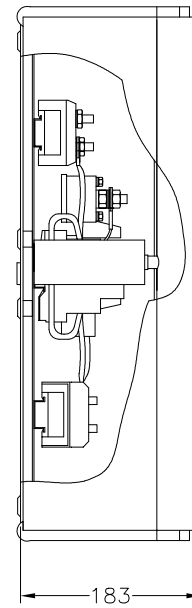
REV. -

PROJECTION



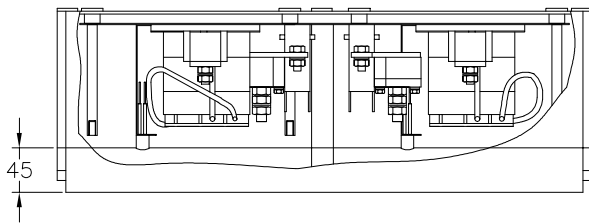


FRONT VIEW
(DOOR AND POLYCARBONATE COVER REMOVED)

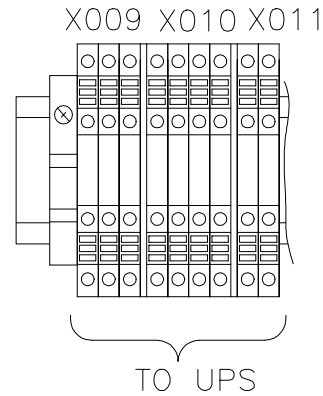


LEFT SIDE VIEW
(POLYCARBONATE COVER REMOVED)

VIEW C



TOP VIEW
(POLYCARBONATE COVER REMOVED)



VIEW C (ENLARGED)
CONTROL WIRING

NOTES:

1. ALL DIMENSIONS ARE IN MILLIMETERS.
2. BATTERY CABLING VOLTAGE DROP SHOULD NOT EXCEED 1%.
3. CIRCUIT BREAKERS F001,F002 ARE 63 AMP.
4. WIRING CONFIGURATION SHOWN IS FOR REFERENCE ONLY.
5. INSTALLATION MUST COMPLY WITH ALL APPLICABLE NATIONAL AND LOCAL CODES.

THIS DRAWING AND SPECIFICATIONS HEREIN ARE THE PROPERTY OF AMERICAN POWER CONVERSION AND SHALL NOT BE COPIED, REPRODUCED OR USED IN WHOLE OR IN PART, AS THE BASIS FOR THE MANUFACTURE OR SALE OF ITEMS WITHOUT WRITTEN PERMISSION FROM APC. THIS DRAWING IS BASED UPON LATEST AVAILABLE INFORMATION AND IS SUBJECT TO CHANGE WITHOUT NOTICE.

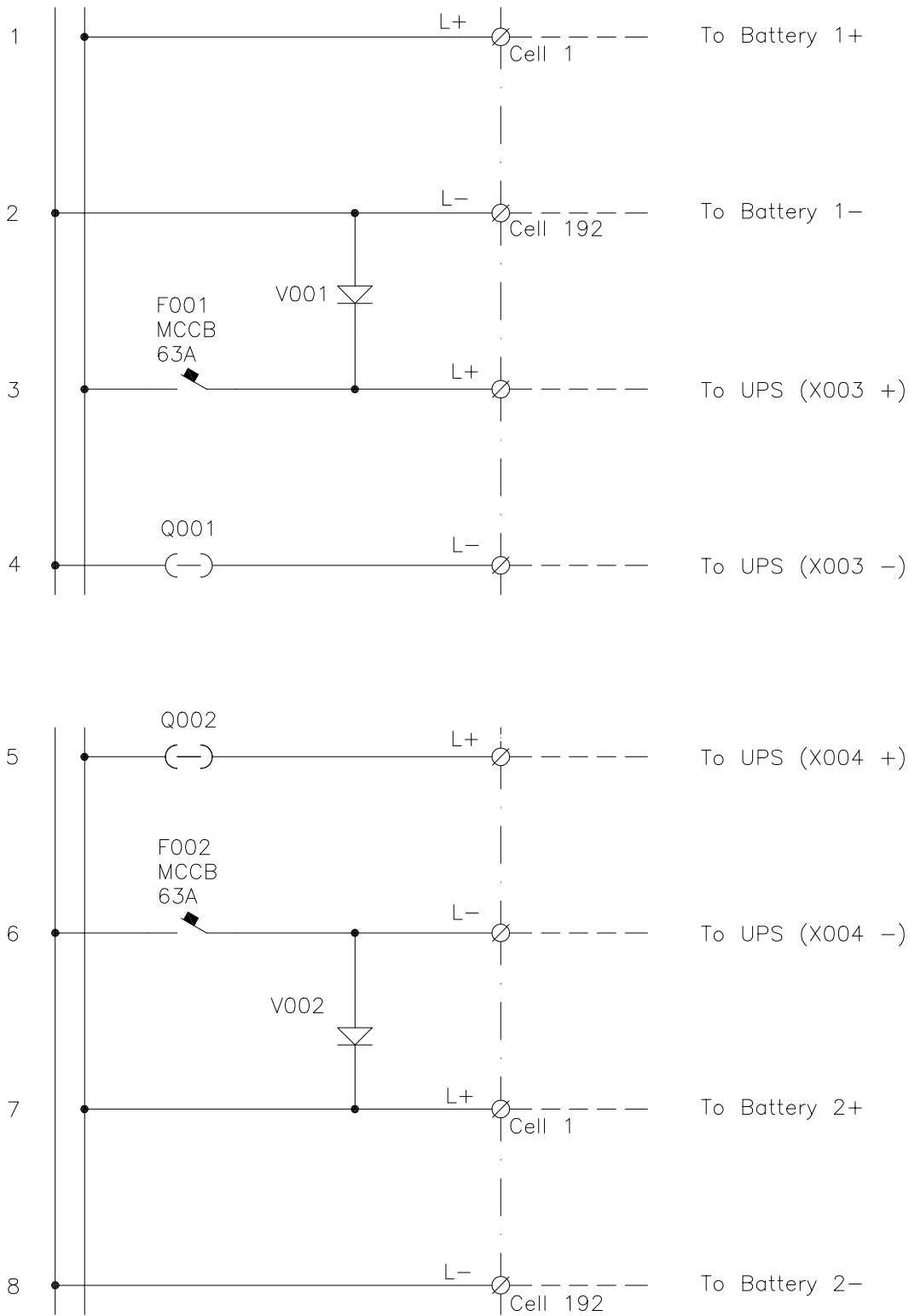
TITLE: SILICON 40kW UPS
BATTERY BREAKER BOX,
ELECTROMECHANICAL
40kW, 400V
PROJECT: SUBMITTAL DRAWINGS SHEET 3 OF 8

DWG NO: SBB40KH-ME
DRAWN BY: M.ZON
CHECKED BY: B.NIELSEN
ENGINEER: C.JARSEN
16/12/03
16/12/03
16/12/03

REV. -
PROJECTION
FIRST ANGLE



880V DC
 In= 63A
 L-L+



NOTES:

1. DASHED (- - -) LINES OUTSIDE OF SBB UNIT, REPRESENT CABLING PROVIDED BY OTHERS.

THIS DRAWING AND SPECIFICATIONS HEREIN ARE THE PROPERTY OF AMERICAN POWER CONVERSION AND SHALL NOT BE COPIED, REPRODUCED OR USED IN WHOLE OR IN PART, AS THE BASIS FOR THE MANUFACTURE OR SALE OF ITEMS WITHOUT WRITTEN PERMISSION FROM APC. THIS DRAWING IS BASED UPON LATEST AVAILABLE INFORMATION AND IS SUBJECT TO CHANGE WITHOUT NOTICE.

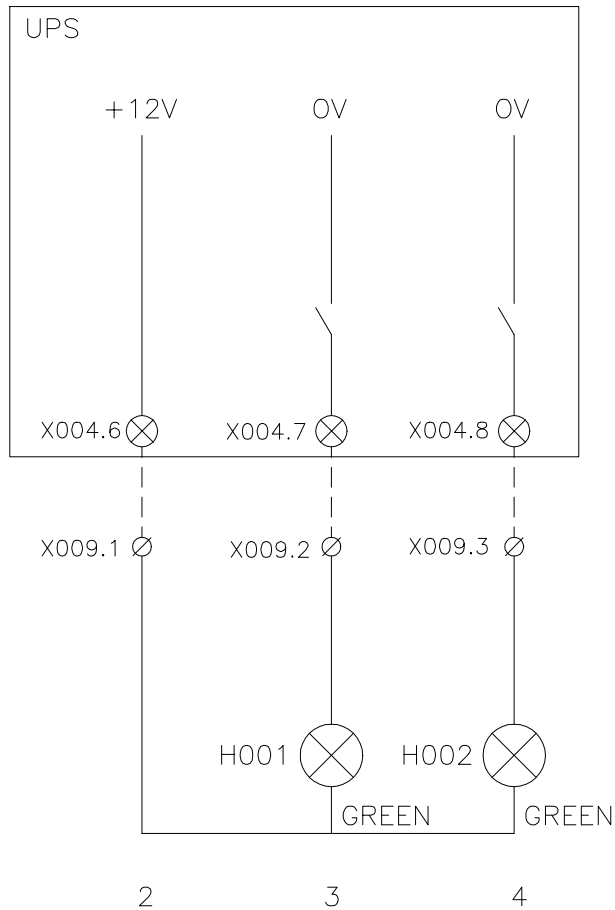
TITLE: SILICON 40kW UPS BATTERY BREAKER BOX, POWER CIRCUIT 40kW, 400V
 PROJECT: SUBMITTAL DRAWINGS SHEET 4 OF 8

DWG NO: SBB40KH-ES
 DRAWN BY: M.ZON 07/01/04
 CHECKED BY: B.NIELSEN 07/01/04
 ENGINEER: CLARSEN 07/01/04

REV. 1
 PROJECTION

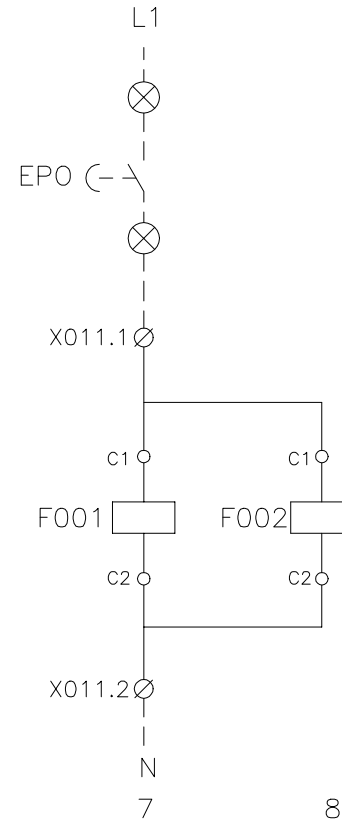


CONTROL CIRCUIT



OK FOR
OPERATING
THE F002

OK FOR
OPERATING
THE F001



TRIP FOR
EMERGENCY TRIP
(220-240V AC)

NOTES:

1. X004 ⊗ TERMINALS LOCATED IN UPS.
2. X009 ⊗ TERMINALS LOCATED IN SBB.
3. DASHED (---) LINES OUTSIDE OF SBB UNIT REPRESENT CABLING PROVIDED BY OTHERS.

THIS DRAWING AND SPECIFICATIONS HEREIN ARE THE PROPERTY OF AMERICAN POWER CONVERSION AND SHALL NOT BE COPIED, REPRODUCED OR USED IN WHOLE OR IN PART, AS THE BASIS FOR THE MANUFACTURE OR SALE OF ITEMS WITHOUT WRITTEN PERMISSION FROM APC. THIS DRAWING IS BASED UPON LATEST AVAILABLE INFORMATION AND IS SUBJECT TO CHANGE WITHOUT NOTICE.

TITLE: SILICON 40kW UPS
BATTERY BREAKER BOX,
CONTROL CIRCUIT
40kW, 400V

PROJECT: SUBMITTAL DRAWINGS SHEET 5 OF 8

DWG NO: SBB40KH-ES

DRAWN BY: M.ZON 16/08/03

CHECKED BY: B.NIELSEN 16/08/03

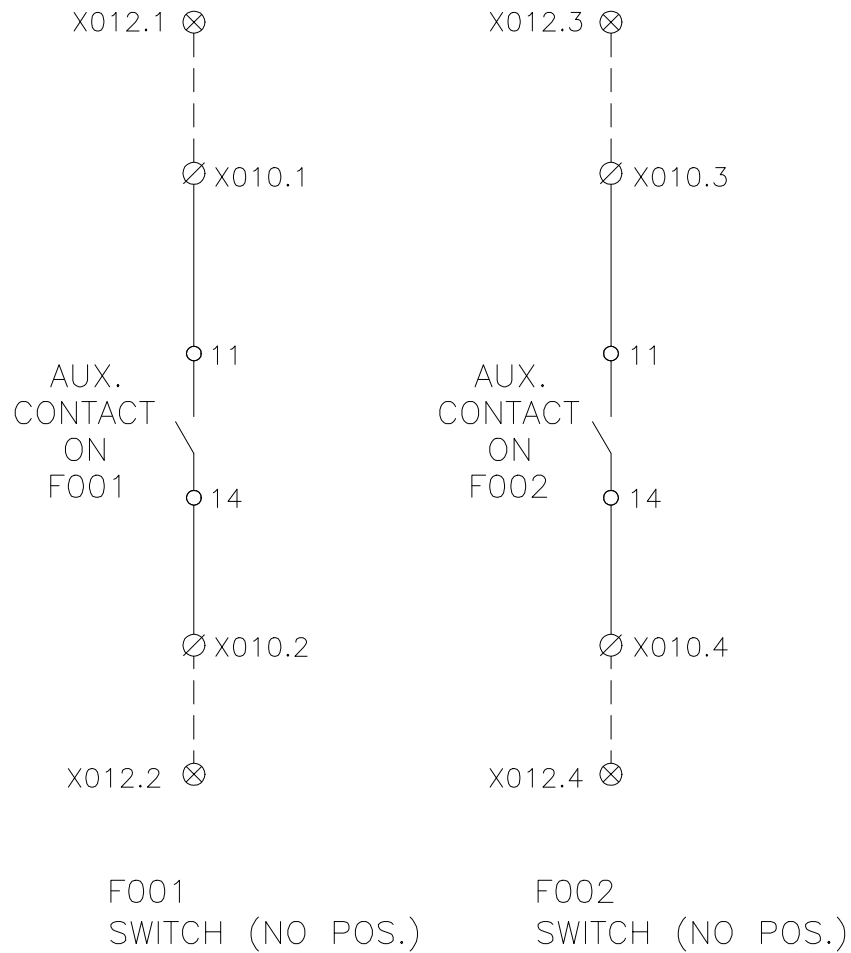
ENGINEER: CLARSEN 16/08/03

REV: -

PROJECTION



CONTROL CIRCUIT



NOTES:

1. X012 ⊗ TERMINALS LOCATED IN UPS.
2. X010 ∅ TERMINALS LOCATED IN SBB.
3. DASHED (---) LINES OUTSIDE OF SBB UNIT REPRESENT CABLING PROVIDED BY OTHERS.

THIS DRAWING AND SPECIFICATIONS HEREIN ARE THE PROPERTY OF AMERICAN POWER CONVERSION AND SHALL NOT BE COPIED, REPRODUCED OR USED IN WHOLE OR IN PART, AS THE BASIS FOR THE MANUFACTURE OR SALE OF ITEMS WITHOUT WRITTEN PERMISSION FROM APC. THIS DRAWING IS BASED UPON LATEST AVAILABLE INFORMATION AND IS SUBJECT TO CHANGE WITHOUT NOTICE.

TITLE: SILICON 40kW UPS
BATTERY BREAKER BOX,
CONTROL CIRCUIT
40kW, 400V

PROJECT: SUBMITTAL DRAWINGS SHEET 6 OF 8

DWG NO: SBB40KH-ES

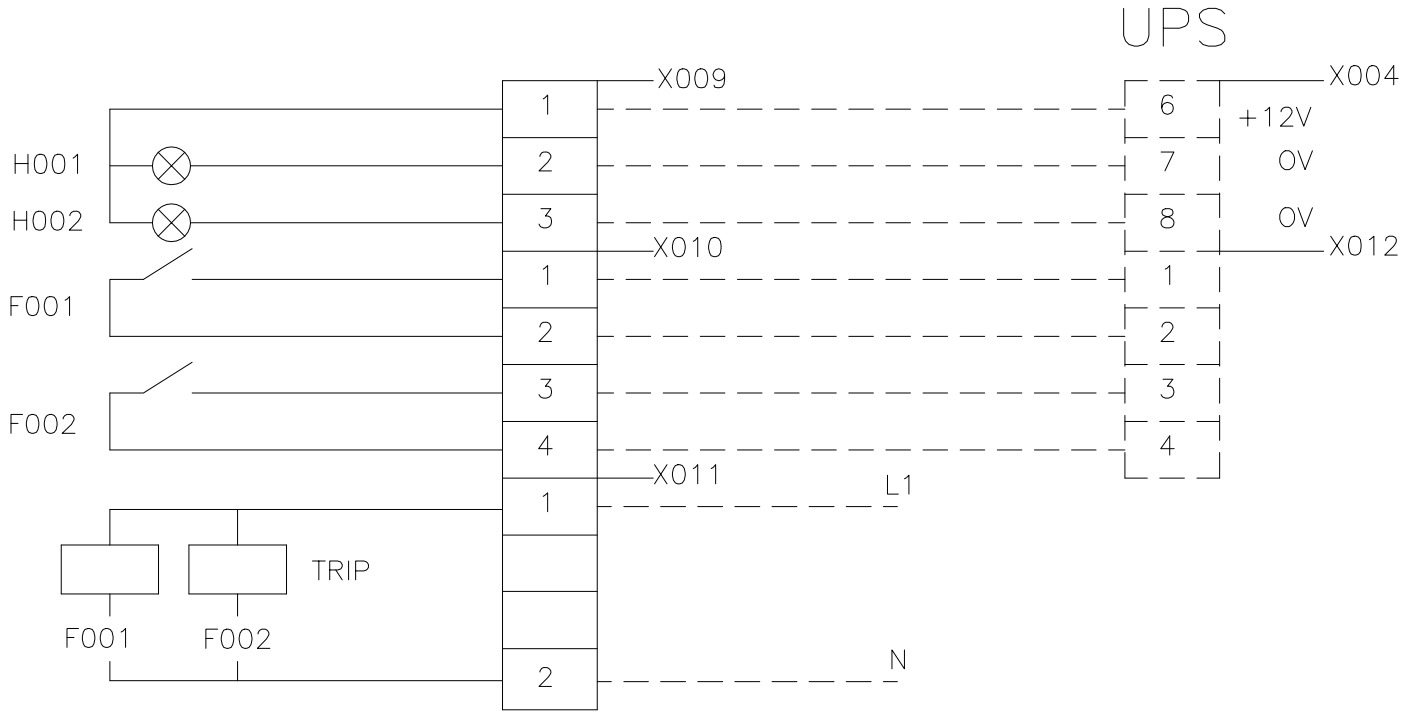
DRAWN BY: M.ZON	16/08/03
CHECKED BY: B.NIELSEN	16/08/03
ENGINEER: C.JARSEN	16/08/03

REV. -

PROJECTION



CONTROL CIRCUIT



NOTES:

1. DASHED (- - -) LINES OUTSIDE OF SBB UNIT, REPRESENT CABLING PROVIDED BY OTHERS.

THIS DRAWING AND SPECIFICATIONS HEREIN ARE THE PROPERTY OF AMERICAN POWER CONVERSION AND SHALL NOT BE COPIED, REPRODUCED OR USED IN WHOLE OR IN PART, AS THE BASIS FOR THE MANUFACTURE OR SALE OF ITEMS WITHOUT WRITTEN PERMISSION FROM APC. THIS DRAWING IS BASED UPON LATEST AVAILABLE INFORMATION AND IS SUBJECT TO CHANGE WITHOUT NOTICE.

TITLE: SILCON 40KW UPS
BATTERY BREAKER BOX,
CONTROL CIRCUIT
40KW, 400V
PROJECT: SUBMITTAL DRAWINGS SHEET 7 OF 8

DWG NO: SBB40KH-ES
DRAWN BY: M.ZON 16/08/03
CHECKED BY: B.NIELSEN 16/08/03
ENGINEER: CLARSEN 16/08/03

REV. -
PROJECTION



