

BATTERY WIRING: STYLE-D

The following connections must be made to the shelf-1(Top shelf)

Battery-to-battery	Cables 1-12
Row-to-row	Cables 49-51
Shelf-to-shelf	Cable 61
Battery-to-terminal	Cable 63

The following connections must be made to the shelf-2

Battery-to-battery	Cables 13-24
Row-to-row *	Cables 52-54
Shelf-to-shelf	None(Accepts cable 61)
Battery-to-terminal	Cable 63

The following connections must be made to the shelf-3

Battery-to-battery	Cables 25-36
Row-to-row *	Cables 55-57
Shelf-to-shelf	Cable 62
Battery-to-terminal	Cable 65

The following connections must be made to the shelf-4(Bottom shelf)

Battery-to-battery	Cables 37-48
Row-to-row *	Cables 58-60
Shelf-to-shelf	None (Accepts Cable 62)
Battery-to-terminal	Cable 66



NOTES:

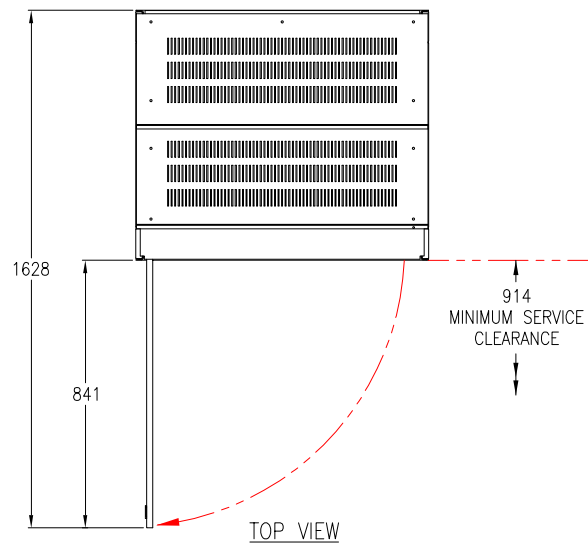
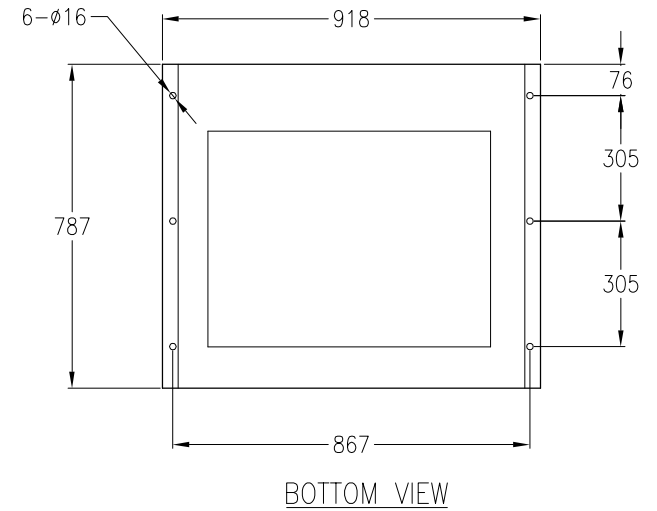
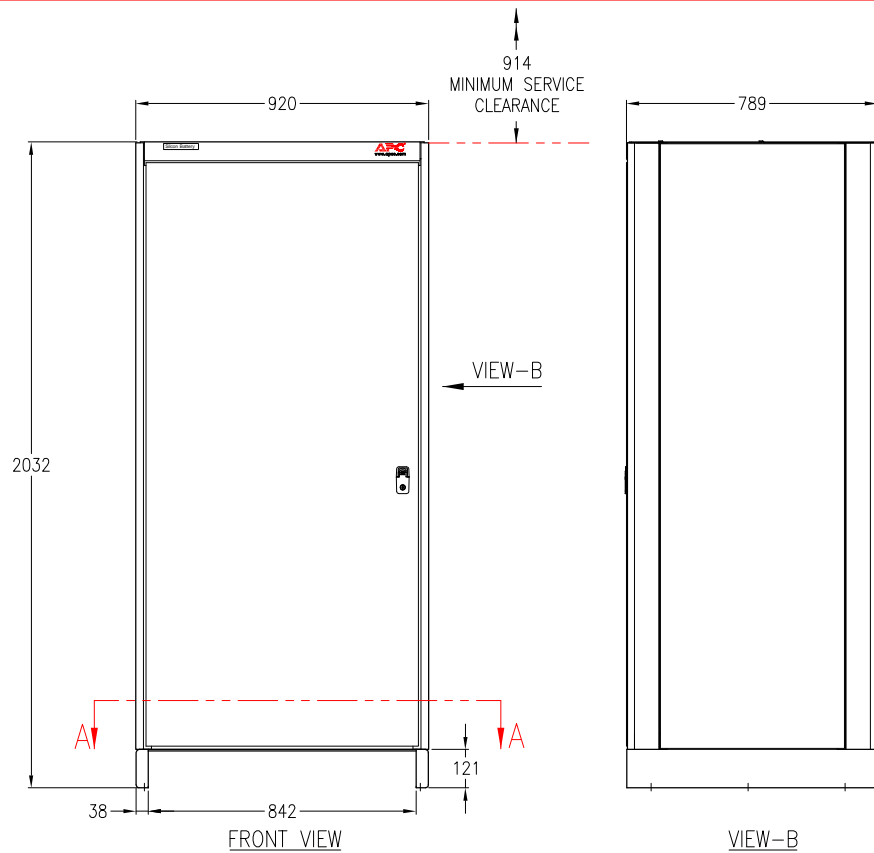
- = CABLING PROVIDED BY OTHERS.
- INSTALLATION MUST COMPLY WITH ALL EUROPEAN AND LOCAL ELECTRICAL REGULATIONS.

THIS DRAWING AND SPECIFICATIONS HEREIN ARE THE PROPERTY OF AMERICAN POWER CONVERSION AND SHALL NOT BE COPIED, REPRODUCED OR USED IN WHOLE OR IN PART, AS THE BASIS FOR THE MANUFACTURE OR SALE OF ITEMS, WITHOUT WRITTEN PERMISSION FROM APC. THIS DRAWING IS BASED UPON LATEST AVAILABLE INFORMATION AND IS SUBJECT TO CHANGE WITHOUT NOTICE.

TITLE: SILCON 120-160kW UPS
BATTERY CABINET
(SMALL)
120-160kW, 400V (STYLE-D)
PROJECT: SUBMITTAL DRAWING SHEET 1 OF 4

DWG NO: SLC120K160H2-PB-CD
DRAWN BY: K NAGENDRA 16/03/04
CHECKED BY: M LEPARD 17/05/04
ENGINEER: C LARSEN 17/05/04

REV. -
PROJECTION
APC
AMERICAN POWER CONVERSION
132 FAIRGROUNDS RD
WEST KINGSTON, RI 02892



NOTES:

- PLEASE REFER TO APC BATTERY INSTALLATION MANUAL.
- ALL DIMENSIONS ARE IN MILLIMETERS.
- CABLE ENTRY IS TOP OR BOTTOM OF UNIT.
- BATTERY AND WEIGHT INFORMATION -

BATTERY TYPE (MODEL)	BATTERY WEIGHT	CABINET WEIGHT	TOTAL WEIGHT
POWER 2 (TC-1250)	16.0kg	229kg	1253kg

- BATTERY RUN-TIME CHART (BASED ON PF=1.0).

SKU	120kW	160kW
SLC120K160H2-PB x1	3 min	

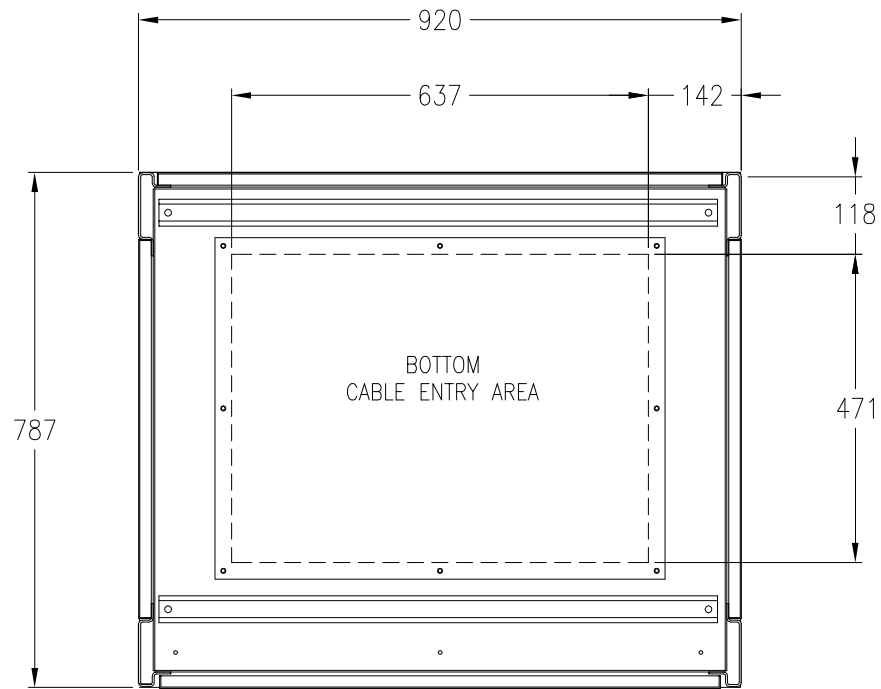
- INSTALLATION MUST COMPLY WITH ALL EUROPEAN AND LOCAL ELECTRICAL REGULATIONS.

THIS DRAWING AND SPECIFICATIONS HEREIN ARE THE PROPERTY OF AMERICAN POWER CONVERSION AND SHALL NOT BE COPIED, REPRODUCED OR USED IN WHOLE OR IN PART, AS THE BASIS FOR THE MANUFACTURE OR SALE OF ITEMS WITHOUT WRITTEN PERMISSION FROM APC. THIS DRAWING IS BASED UPON LATEST AVAILABLE INFORMATION AND IS SUBJECT TO CHANGE WITHOUT NOTICE.

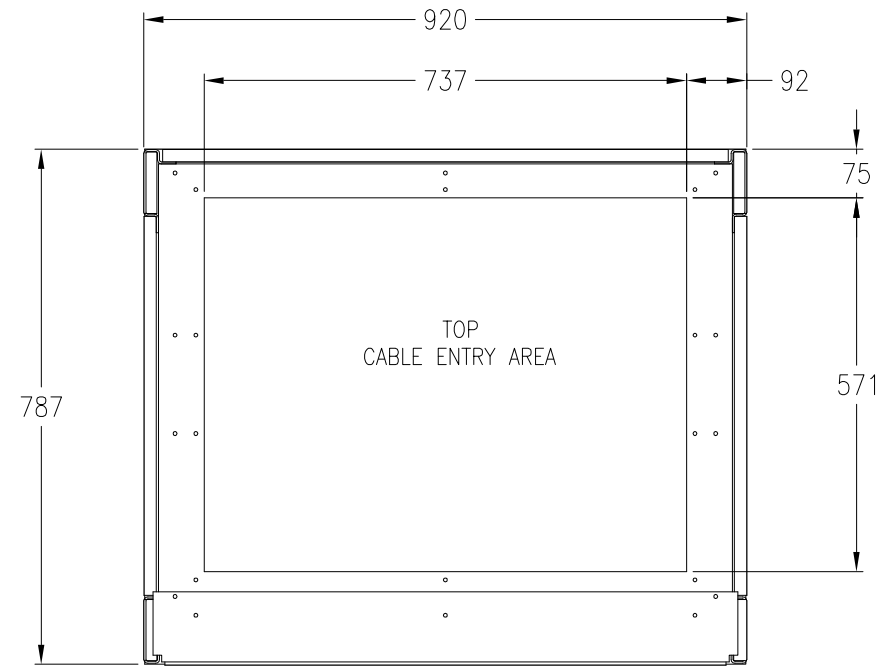
TITLE: SILCON 120-160kW UPS
BATTERY CABINET
(SMALL)
120-160kW, 400V (STYLE-D)

DWG NO: SLC120K160H2-PB-MM1
REV: -
DRAWN BY: K NAGENDRA 16/03/04
CHECKED BY: M LEPARD 17/05/04
PROJECT: SUBMITTAL DRAWING SHEET 2 OF 4 ENGINEER: C LARSEN 17/05/04






SECTION-AA

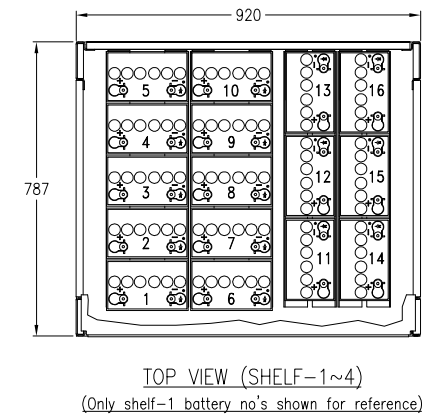
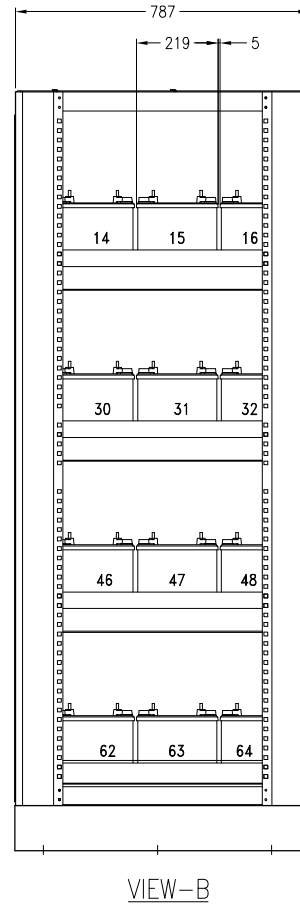
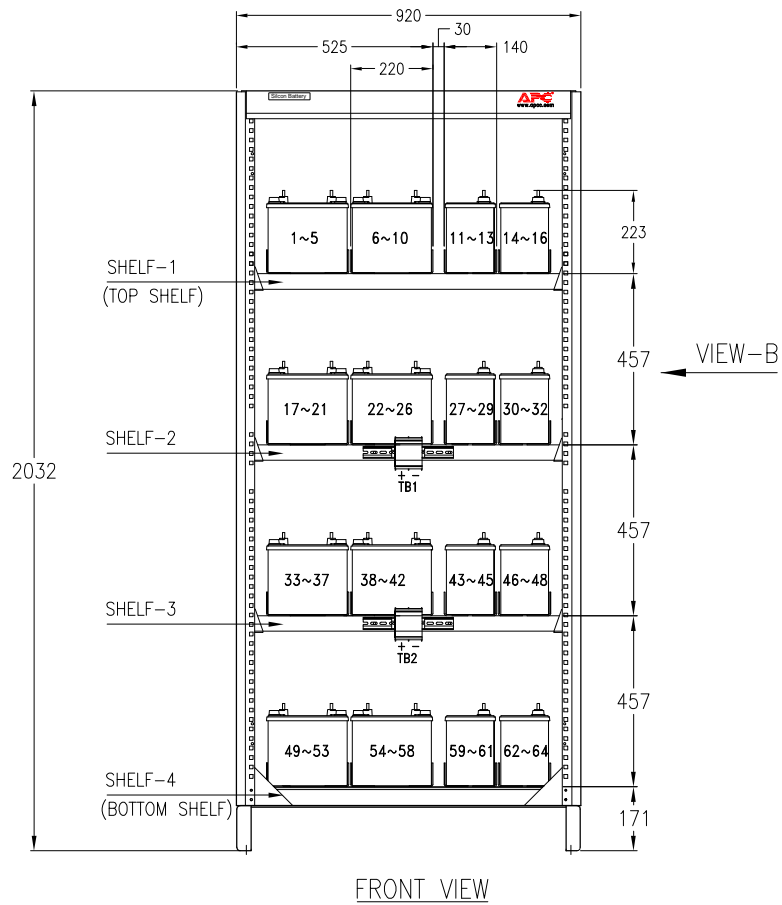


TOP VIEW
(TOP COVER REMOVED)

NOTES:

1. ALL DIMENSIONS ARE IN MILLIMETERS.
2. SOME STRUCTURAL DETAILS IN THESE VIEWS HAVE BEEN OMITTED FOR CLARITY.
3. INSTALLATION MUST COMPLY WITH ALL EUROPEAN AND LOCAL ELECTRICAL REGULATIONS.

THIS DRAWING AND SPECIFICATIONS HEREIN ARE THE PROPERTY OF AMERICAN POWER CONVERSION AND SHALL NOT BE COPIED, REPRODUCED OR USED IN WHOLE OR IN PART, AS THE BASIS FOR THE MANUFACTURE OR SALE OF ITEMS WITHOUT WRITTEN PERMISSION FROM APC. THIS DRAWING IS BASED UPON LATEST AVAILABLE INFORMATION AND IS SUBJECT TO CHANGE WITHOUT NOTICE.	TITLE: SILCON 120-160kW UPS BATTERY CABINET (SMALL)		DWG NO: SLC120K160H2-PB-MM2	REV. —
	120-160kW, 400V (STYLE-D)		DRAWN BY: K NAGENDRA	16/03/04
	PROJECT: SUBMITTAL DRAWING	SHEET 3 OF 4	CHECKED BY: M LEPARD	17/05/04
			ENGINEER: C LARSEN	17/05/04
PROJECTION				 <small>AMERICAN POWER CONVERSION 132 FARGROUNDS RD WEST KINGSTON, RI 02892</small>



NOTES:

- PLEASE REFER TO APC BATTERY INSTALLATION MANUAL.
- ALL DIMENSIONS ARE IN MILLIMETERS.
- CABINET IS SHOWN WITHOUT DOORS AND PANELS. SOME STRUCTURAL DETAILS AND MOUNTING BRACKETS HAVE BEEN OMITTED FOR CLARITY.
- LOADING AND WIRING OF THE BATTERY SHOULD BE DONE FROM BOTTOM SHELF TO THE TOP SHELF.
- INSTALLATION MUST COMPLY WITH ALL EUROPEAN AND LOCAL ELECTRICAL REGULATIONS.

THIS DRAWING AND SPECIFICATIONS HEREIN ARE THE PROPERTY OF AMERICAN POWER CONVERSION AND SHALL NOT BE COPIED, REPRODUCED OR USED IN WHOLE OR IN PART, AS THE BASIS FOR THE MANUFACTURE OR SALE OF ITEMS WITHOUT WRITTEN PERMISSION FROM APC. THIS DRAWING IS BASED UPON LATEST AVAILABLE INFORMATION AND IS SUBJECT TO CHANGE WITHOUT NOTICE.	TITLE: SILCON 120-160kW UPS BATTERY CABINET (SMALL) 120-160kW, 400V (STYLE-D)		DWG NO: SLC120K160H2-PB-MM3 REV. —		
	PROJECT: SUBMITTAL DRAWING	SHEET 4 OF 4	DRAWN BY: K NAGENDRA	16/03/04	PROJECTION
			CHECKED BY: M LEPARD	17/05/04	
			ENGINEER: C LARSEN	17/05/04	
			AMERICAN POWER CONVERSION 132 FARGROUNDS RD WEST KINGSTON, RI 02892		