

# BATTERY WIRING: STYLE-G

The following connections must be made to the shelf-1(Top shelf)

Battery-to-battery	Cables 1-12
Row-to-row	Cables 49-51
Shelf-to-shelf	Cable 61
Battery-to-terminal	Cable 63

The following connections must be made to the shelf-1(Top shelf)

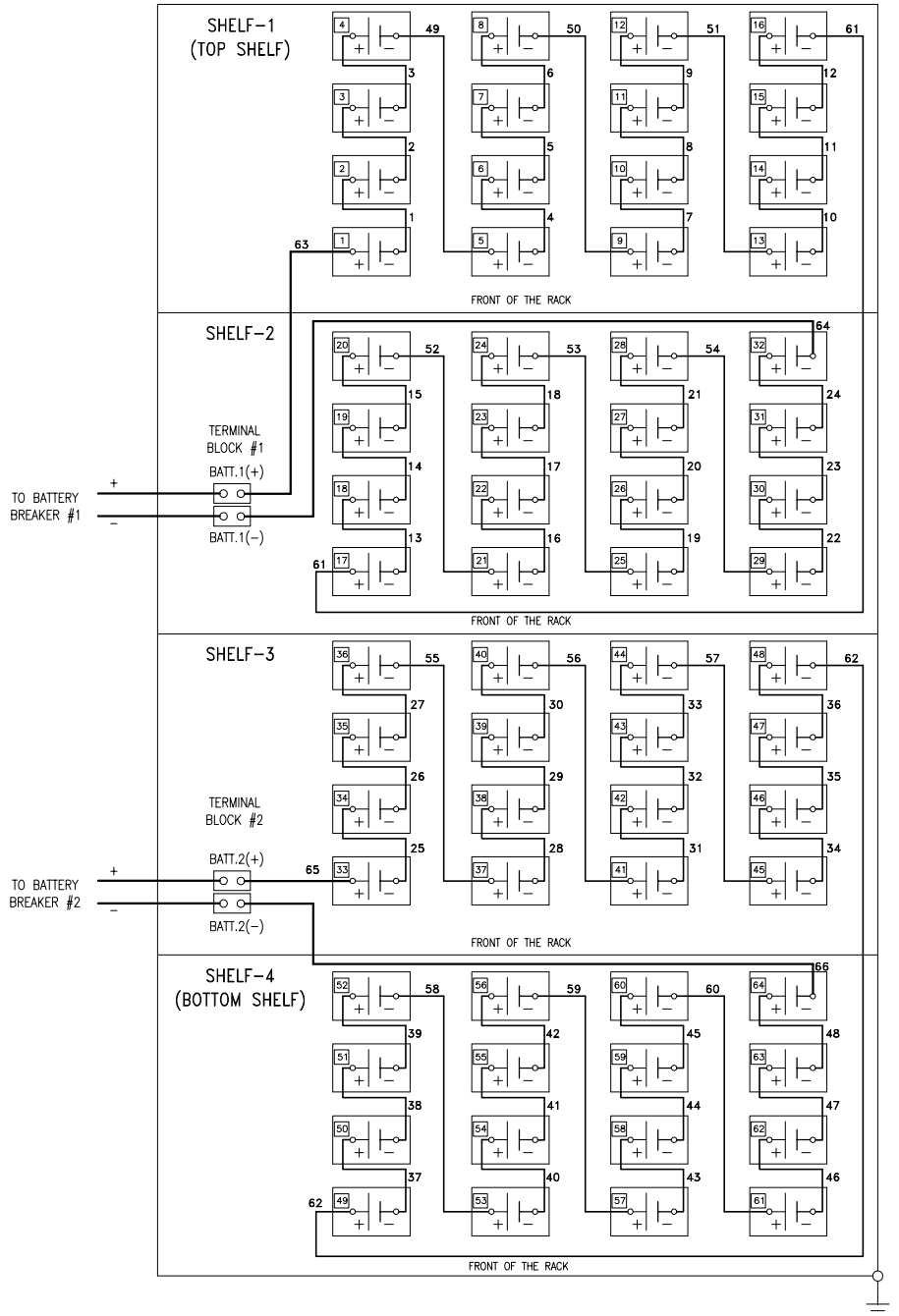
Battery-to-battery	Cables 13-24
Row-to-row	Cables 52-54
Shelf-to-shelf	None(accepts Cable 61)
Battery-to-terminal	Cable 64

The following connections must be made to the shelf-1(Top shelf)

Battery-to-battery	Cables 25-36
Row-to-row	Cables 55-57
Shelf-to-shelf	Cable 62
Battery-to-terminal	Cable 65

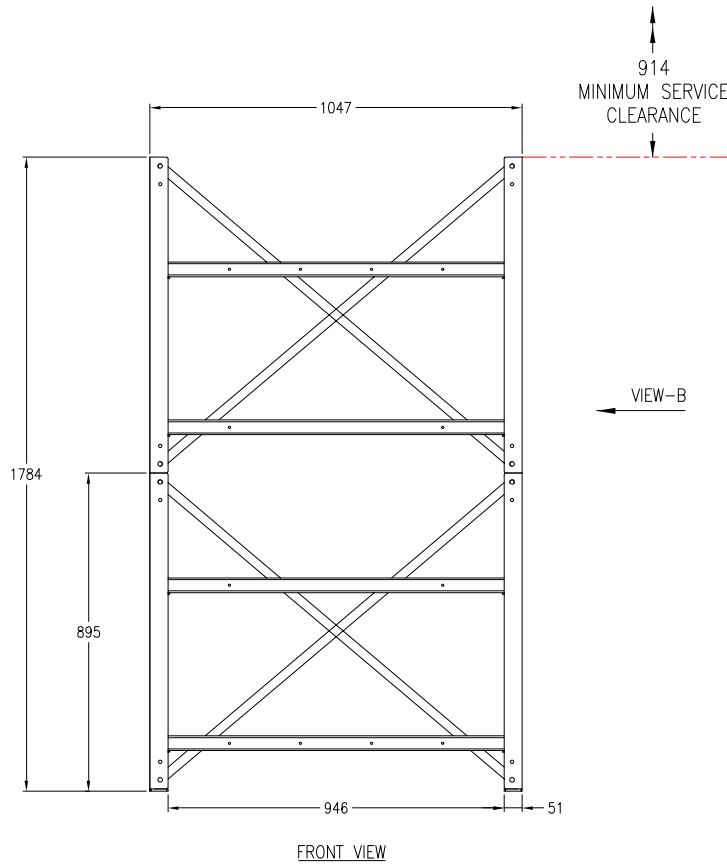
The following connections must be made to the shelf-1(Top shelf)

Battery-to-battery	Cables 37-48
Row-to-row	Cables 58-60
Shelf-to-shelf	None(accepts cable 62)
Battery-to-terminal	Cable 66



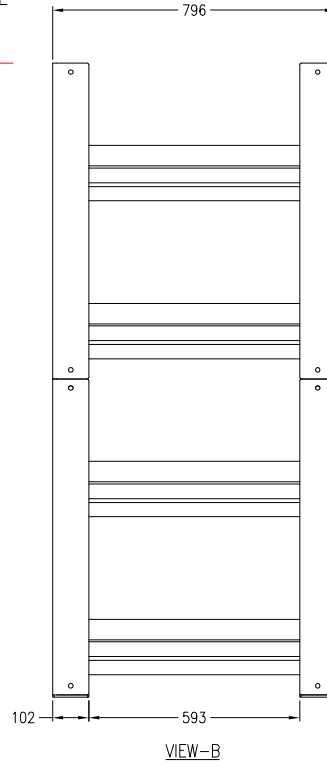
- NOTES:
- = CABLING PROVIDED BY OTHERS.
  - INSTALLATION MUST COMPLY WITH ALL EUROPEAN AND LOCAL ELECTRICAL REGULATIONS.

<small>THIS DRAWING AND SPECIFICATIONS HEREIN ARE THE PROPERTY OF AMERICAN POWER CONVERSION AND SHALL NOT BE COPIED, REPRODUCED OR USED IN WHOLE OR IN PART, AS THE BASIS FOR THE MANUFACTURE OR SALE OF ITEMS WITHOUT WRITTEN PERMISSION FROM APC. THIS DRAWING IS BASED UPON LATEST AVAILABLE INFORMATION AND IS SUBJECT TO CHANGE WITHOUT NOTICE.</small>	TITLE: SILCON 10-80kW UPS BATTERY RACK (LARGE) 10-80kW, 400V (STYLE-G)	DWG NO: SLR10K80H0-EB-CD DRAWN BY: K NAGENDRA CHECKED BY: M LEPARD ENGINEER: C LARSEN	REV. _ 14/04/04 27/05/04 27/05/04	AMERICAN POWER CONVERSION 132 FARGROUNDS RD WEST KINGSTON, RI 02892
	PROJECT: SUBMITTAL DRAWING SHEET 1 OF 3	PROJECTION 		

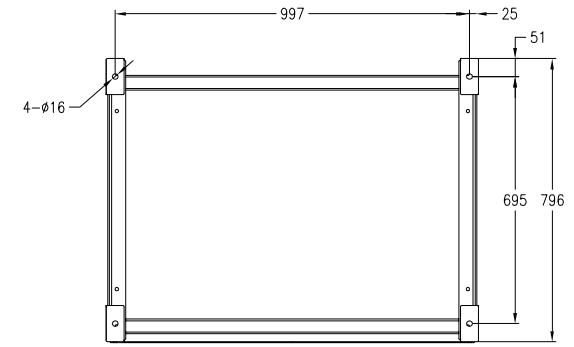


FRONT VIEW

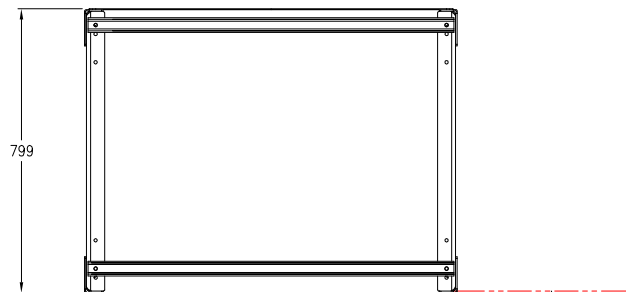
VIEW-B



VIEW-B



BOTTOM VIEW



TOP VIEW

NOTES:

- PLEASE REFER TO APC BATTERY INSTALLATION MANUAL.
- ALL DIMENSIONS ARE IN MILLIMETERS.
- CABLE ENTRY IS TOP OR BOTTOM OF UNIT.
- BATTERY AND WEIGHT INFORMATION -

BATTERY TYPE (MODEL)	BATTERY WEIGHT	RACK WEIGHT	TOTAL WEIGHT
EXIDE 0 (H4 12/32)	13.5kg	144kg	1008kg

- BATTERY RUN-TIME CHART (BASED ON PF=1.0).

SKU NUMBER	10kW	20kW	40kW	60kW	80kW
SLC10K80H0-EB	107 min	40 min	15 min	7 min	4 min

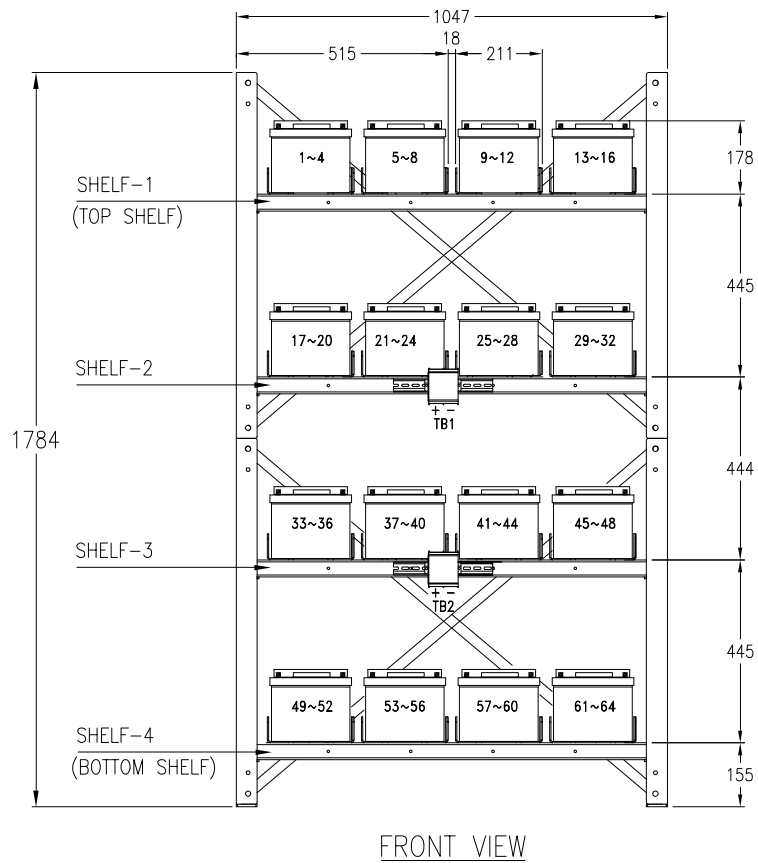
- INSTALLATION MUST COMPLY WITH ALL EUROPEAN AND LOCAL ELECTRICAL REGULATIONS.

THIS DRAWING AND SPECIFICATIONS HEREIN ARE THE PROPERTY OF AMERICAN POWER CONVERSION AND SHALL NOT BE COPIED, REPRODUCED OR USED IN WHOLE OR IN PART, AS THE BASIS FOR THE MANUFACTURE OR SALE OF ITEMS WITHOUT WRITTEN PERMISSION FROM APC. THIS DRAWING IS BASED UPON LATEST AVAILABLE INFORMATION AND IS SUBJECT TO CHANGE WITHOUT NOTICE.

TITLE: SILCON 10-80kW UPS  
BATTERY RACK  
(LARGE)  
10-80kW, 400V (STYLE-G)

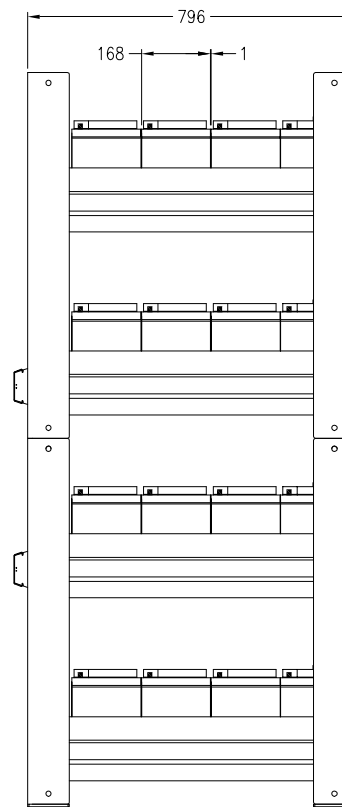
DWG NO: SLR10K80H0-EB-MM1  
REV. -  
DRAWN BY: K NAGENDRA 14/04/04  
CHECKED BY: M LEPARD 27/05/04  
PROJECT: SUBMITTAL DRAWING SHEET 2 OF 3 ENGINEER: C LARSEN 27/05/04



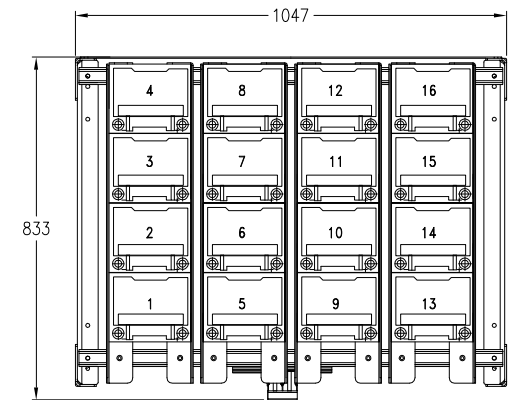


FRONT VIEW

VIEW-B ←



VIEW-B



TOP VIEW (SHELF-1~4)  
(Only Shelf-1 battery No.s shown for reference)

NOTES:

1. PLEASE REFER TO APC BATTERY INSTALLATION MANUAL.
2. ALL DIMENSIONS ARE IN MILLIMETERS.
3. LOADING AND WIRING OF THE BATTERY SHOULD BE DONE FROM BOTTOM SHELF TO THE TOP SHELF.
4. INSTALLATION MUST COMPLY WITH ALL EUROPEAN AND LOCAL ELECTRICAL REGULATIONS.

THIS DRAWING AND SPECIFICATIONS HEREIN ARE THE PROPERTY OF AMERICAN POWER CONVERSION AND SHALL NOT BE COPIED, REPRODUCED OR USED IN WHOLE OR IN PART, AS THE BASIS FOR THE MANUFACTURE OR SALE OF ITEMS WITHOUT WRITTEN PERMISSION FROM APC. THIS DRAWING IS BASED UPON LATEST AVAILABLE INFORMATION AND IS SUBJECT TO CHANGE WITHOUT NOTICE.	TITLE: SILCON 10-80kW UPS BATTERY RACK (LARGE) 10-80kW, 400V (STYLE-G)		DWG NO: SLR10K80H0-EB-MM2	REV. —
	PROJECT: SUBMITTAL DRAWING	SHEET 3 OF 3	DRAWN BY: K NAGENDRA	14/04/04
			CHECKED BY: M LEPARD	27/05/04
			ENGINEER: C LARSEN	27/05/04
			 <small>AMERICAN POWER CONVERSION 132 FARGROUNDS RD WEST KINGSTON, RI 02892</small>	