

# BATTERY WIRING: STYLE-E

The following connections must be made to the shelf-1(Top shelf)

Battery-to-battery*	Cables 1-6
Row-to-row	Cables 49
Shelf-to-shelf	Cable 57
Battery-to-terminal	Cable 63

\* If two different battery-to-battery cable sizes are specified: apply two(2) shorter cables to positions 1 and 4, apply four(4) longer cables to positions 2,3,5 and 6.

The following connections must be made to the shelf-2

Battery-to-battery*	Cables 7-12
Row-to-row	Cables 50
Shelf-to-shelf	Cable 58
Battery-to-terminal	None

\* If two different battery-to-battery cable sizes are specified: apply two(2) shorter cables to positions 7 and 10, apply four(4) longer cables to positions 8,9,11 and 12.

The following connections must be made to the shelf-3

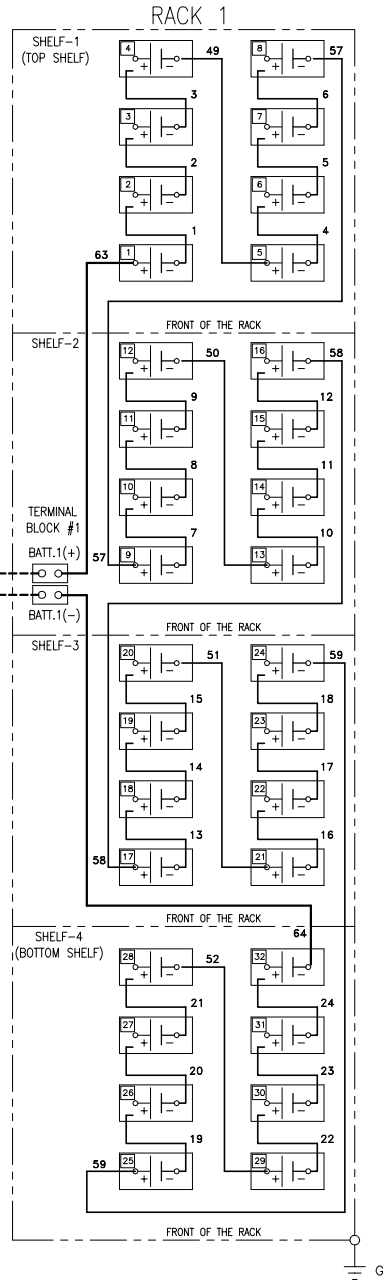
Battery-to-battery*	Cables 13-18
Row-to-row	Cables 51
Shelf-to-shelf	Cable 59
Battery-to-terminal	None

\* If two different battery-to-battery cable sizes are specified: apply two(2) shorter cables to positions 13 and 16, apply four(4) longer cables to positions 14,15,17 and 18.

The following connections must be made to the shelf-4

Battery-to-battery*	Cables 19-24
Row-to-row	Cables 52
Shelf-to-shelf	None(Accepts cable 59)
Battery-to-terminal	Cable 64

\* If two different battery-to-battery cable sizes are specified: apply two(2) shorter cables to positions 19 and 22, apply four(4) longer cables to positions 20,21,23 and 24.



The following connections must be made to the shelf-1(Top shelf)

Battery-to-battery*	Cables 25-30
Row-to-row	Cables 53
Shelf-to-shelf	Cable 60
Battery-to-terminal	Cable 65

\* If two different battery-to-battery cable sizes are specified: apply two(2) shorter cables to positions 25 and 28, apply four(4) longer cables to positions 26,27,29 and 30.

The following connections must be made to the shelf-2

Battery-to-battery*	Cables 31-36
Row-to-row	Cables 54
Shelf-to-shelf	Cable 61
Battery-to-terminal	None

\* If two different battery-to-battery cable sizes are specified: apply two(2) shorter cables to positions 31 and 34, apply four(4) longer cables to positions 32,33,35 and 36.

The following connections must be made to the shelf-3

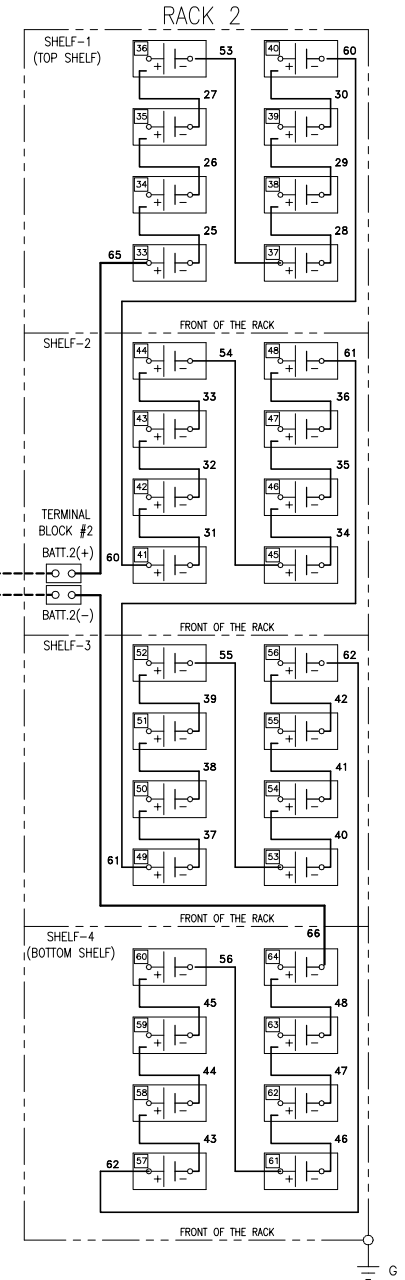
Battery-to-battery*	Cables 37-42
Row-to-row	Cables 55
Shelf-to-shelf	Cable 62
Battery-to-terminal	None

\* If two different battery-to-battery cable sizes are specified: apply two(2) shorter cables to positions 37 and 40, apply four(4) longer cables to positions 38,39,41 and 42.

The following connections must be made to the shelf-4 (Bottom shelf)

Battery-to-battery*	Cables 43-48
Row-to-row	Cables 56
Shelf-to-shelf	None(Accepts cable 62)
Battery-to-terminal	Cable 66

\* If two different battery-to-battery cable sizes are specified: apply two(2) shorter cables to positions 43 and 46, apply four(4) longer cables to positions 44,45,47 and 48.



## NOTES:

- = CABLING PROVIDED BY OTHERS.
- INSTALLATION MUST COMPLY WITH ALL EUROPEAN AND LOCAL ELECTRICAL REGULATIONS..

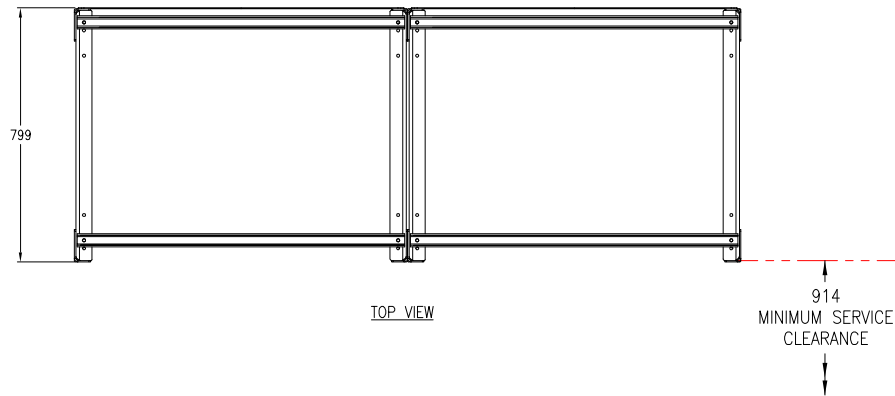
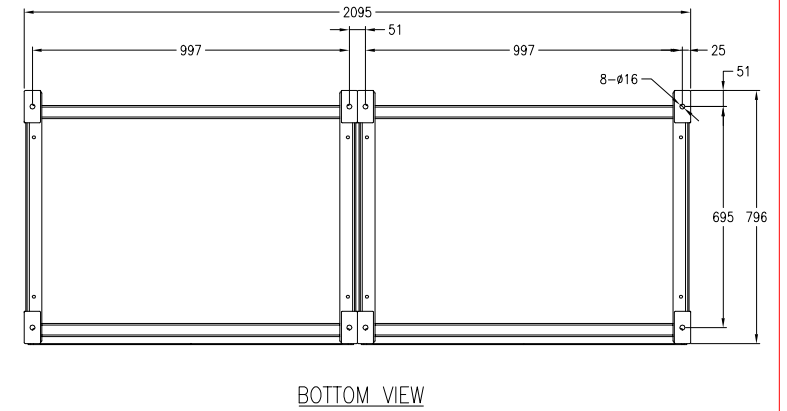
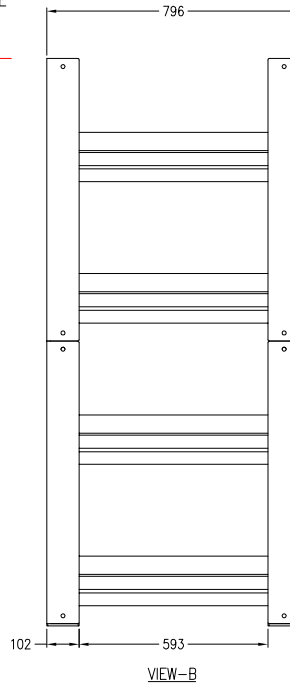
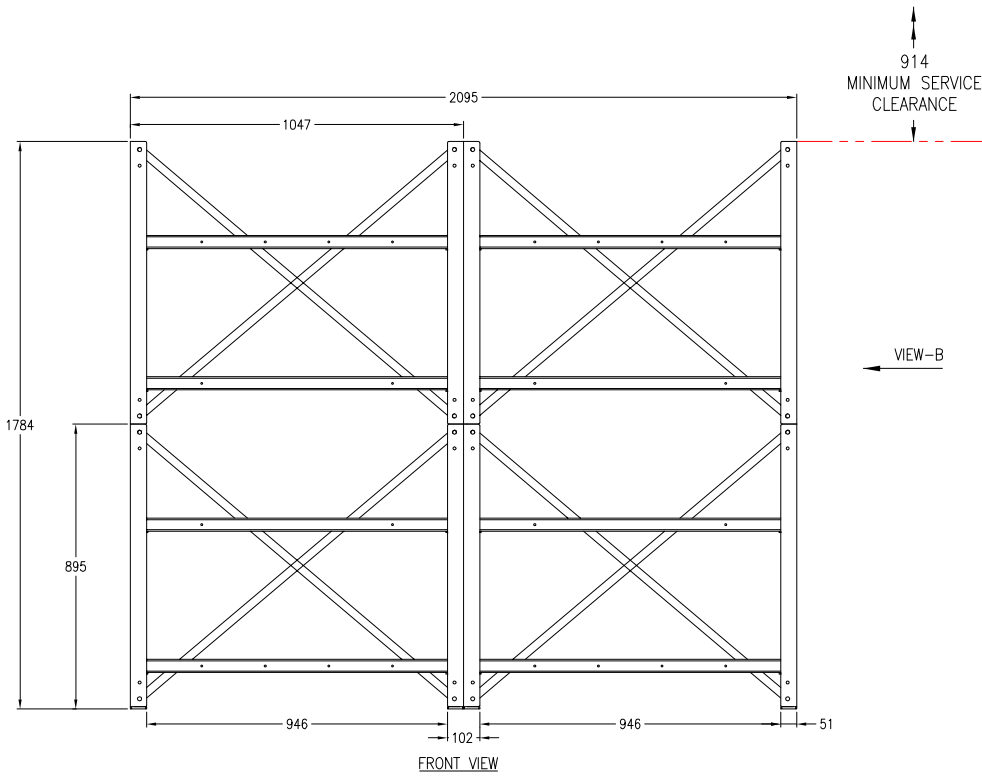
THIS DRAWING AND SPECIFICATIONS HEREIN ARE THE PROPERTY OF AMERICAN POWER CONVERSION AND SHALL NOT BE COPIED, REPRODUCED OR USED IN WHOLE OR IN PART, AS THE BASIS FOR THE MANUFACTURE OR SALE OF ITEMS WITHOUT WRITTEN PERMISSION FROM APC. THIS DRAWING IS BASED UPON LATEST AVAILABLE INFORMATION AND IS SUBJECT TO CHANGE WITHOUT NOTICE.

TITLE: SILCON 120-160kW UPS  
BATTERY RACK  
(LARGE x 2)  
120-160kW, 400V (STYLE-E)  
PROJECT: SUBMITTAL DRAWING SHEET 1 OF 3

DWG NO: SLR120K160H5-FB-CD  
DRAWN BY: K NAGENDRA 17/05/04  
CHECKED BY: M LEPARD 27/05/04  
ENGINEER: C LARSEN 27/05/04

PROJECTION





NOTES:

- PLEASE REFER TO APC BATTERY INSTALLATION MANUAL.
- ALL DIMENSIONS ARE IN MILLIMETERS.
- CABLE ENTRY IS TOP OR BOTTOM OF UNIT.
- BATTERY AND WEIGHT INFORMATION -

BATTERY TYPE (MODEL)	BATTERY WEIGHT	RACK WEIGHT	TOTAL WEIGHT
FIAMM 5 (12XLB420)	39.0kg	156kg x 2	2808kg

- BATTERY RUN-TIME CHART (BASED ON PF=1.0).

SKU NUMBER	120kW	160kW
SLR120K160H5-FB x1	16 min	10 min
SLR120K160H5-FB x2	44 min	29 min
SLR120K160H5-FB x3	76 min	52 min
SLR120K160H5-FB x4	106 min	76 min

- RUN-TIMES ARE INDICATED UPTO MAXIMUM OF 4-STRINGS OF BATTERIES.
- INSTALLATION MUST COMPLY WITH ALL EUROPEAN AND LOCAL ELECTRICAL REGULATIONS.

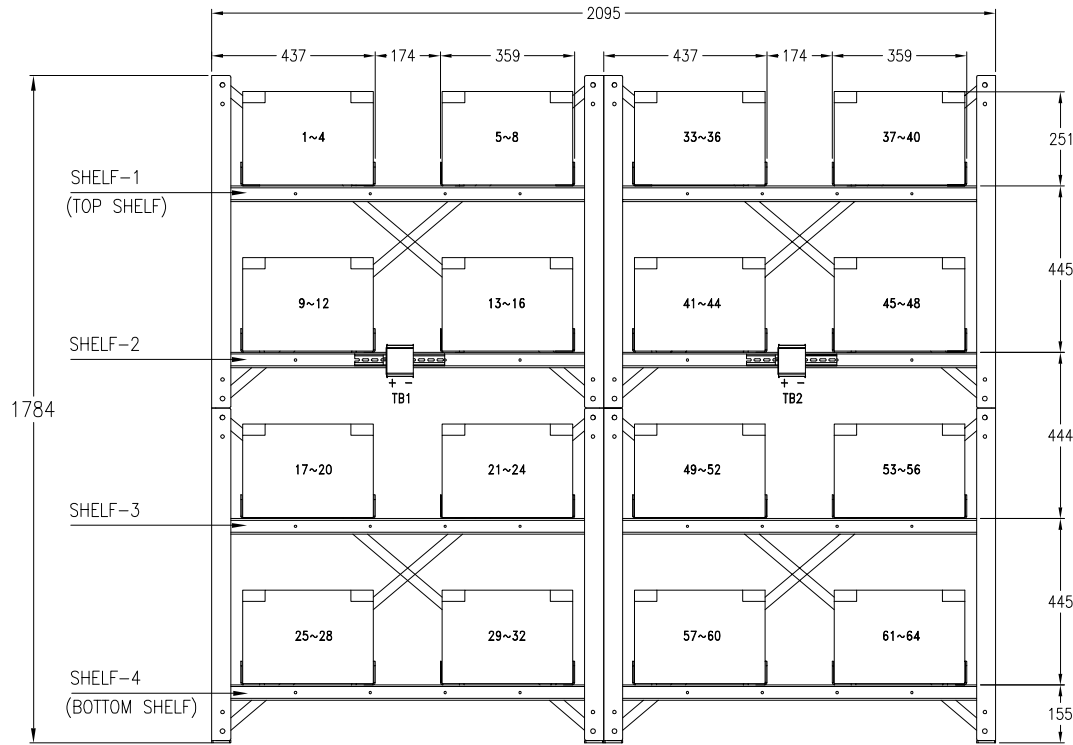
THIS DRAWING AND SPECIFICATIONS HEREIN ARE THE PROPERTY OF AMERICAN POWER CONVERSION AND SHALL NOT BE COPIED, REPRODUCED OR USED IN WHOLE OR IN PART, AS THE BASIS FOR THE MANUFACTURE OR SALE OF ITEMS WITHOUT WRITTEN PERMISSION FROM APC. THIS DRAWING IS BASED UPON LATEST AVAILABLE INFORMATION AND IS SUBJECT TO CHANGE WITHOUT NOTICE.

TITLE: SILCON 120-160kW UPS  
BATTERY RACK  
(LARGE x 2)  
120-160kW, 400V (STYLE-E)

DWG NO: SLR120K160H5-FB-MM1  
DRAWN BY: K NAGENDRA 17/05/04  
CHECKED BY: M LEPARD 27/05/04  
ENGINEER: C LARSEN 27/05/04

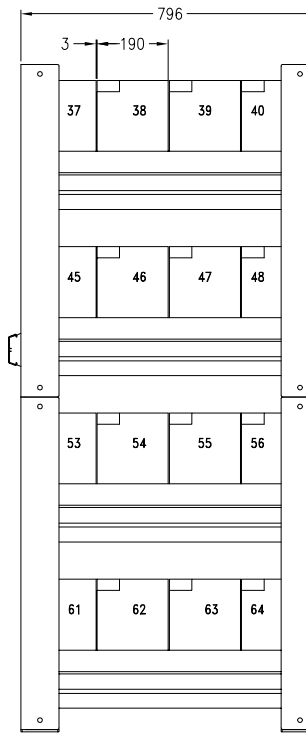
REV. -  
PROJECTION

**APC**  
AMERICAN POWER CONVERSION  
132 FARBGROUNDS RD  
WEST KINGSTON, RI 02892

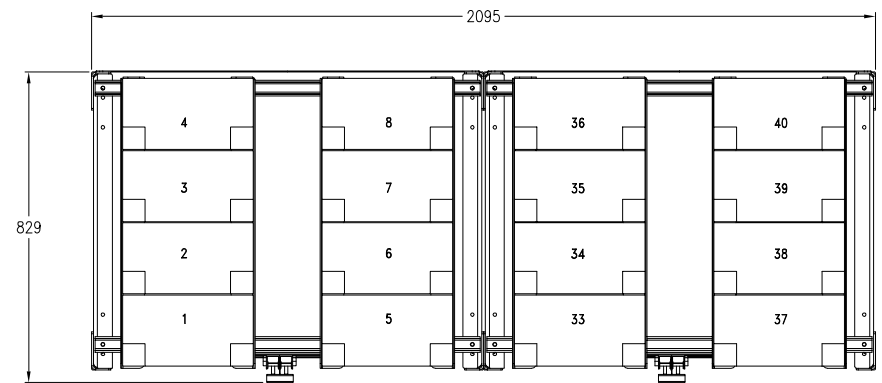


FRONT VIEW

VIEW-B



VIEW-B



TOP VIEW (SHELF-1~4)

(Only Shelf-1 battery No.s shown for reference)

NOTES:

1. PLEASE REFER TO APC BATTERY INSTALLATION MANUAL.
2. ALL DIMENSIONS ARE IN MILLIMETERS.
3. LOADING AND WIRING OF THE BATTERY SHOULD BE DONE FROM BOTTOM SHELF TO THE TOP SHELF.
4. INSTALLATION MUST COMPLY WITH ALL EUROPEAN AND LOCAL ELECTRICAL REGULATIONS.

THIS DRAWING AND SPECIFICATIONS HEREIN ARE THE PROPERTY OF AMERICAN POWER CONVERSION AND SHALL NOT BE COPIED, REPRODUCED OR USED IN WHOLE OR IN PART, AS THE BASIS FOR THE MANUFACTURE OR SALE OF ITEMS WITHOUT WRITTEN PERMISSION FROM APC. THIS DRAWING IS BASED UPON LATEST AVAILABLE INFORMATION AND IS SUBJECT TO CHANGE WITHOUT NOTICE.

TITLE: SILCON 120-160kW UPS  
BATTERY RACK  
(LARGE x 2)  
120-160kW, 400V (STYLE-E)  
PROJECT: SUBMITTAL DRAWING SHEET 3 OF 3

DWG NO: SLR120K160H5-FB-MM2  
DRAWN BY: K NAGENDRA  
CHECKED BY: M LEPARD  
ENGINEER: C LARSEN  
17/05/04  
27/05/04  
27/05/04

REV. —  
PROJECTION

