

NOTES:

1. PLEASE REFER TO APC INSTALLATION GUIDE.
2. UTILITY SOURCE MUST BE WYE 3 PHASE 4 WIRE + GROUND PROVIDED BY OTHERS.
3. ALL AC OUTPUT CABLING FROM UPS IS 3 WIRE + GROUND 400/415 V AC 3-PHASE.
- △ 4. DC CABLING SHOULD BE SEGREGATED FROM AC CABLING.
- △ 5. SEE BATTERY INSTALLATION INFORMATION.
6. UPS OUTPUT CABLES AND INPUT CABLES MUST BE IN SEPARATE CONDUITS.
7. POWER WIRING AND CONTROL WIRING SHOULD BE IN SEPARATE CONDUITS.
8. AC CIRCUIT CABLE LENGTHS (INPUT AND OUTPUT) SHOULD BE EQUAL ON ALL MODULES.
9. DC CIRCUIT CABLE LENGTHS SHOULD BE EQUAL ON ALL MODULES.
10. ----- = CABLING PROVIDED BY OTHERS.
11. INSTALLATION MUST COMPLY WITH NATIONAL AND LOCAL CODES.

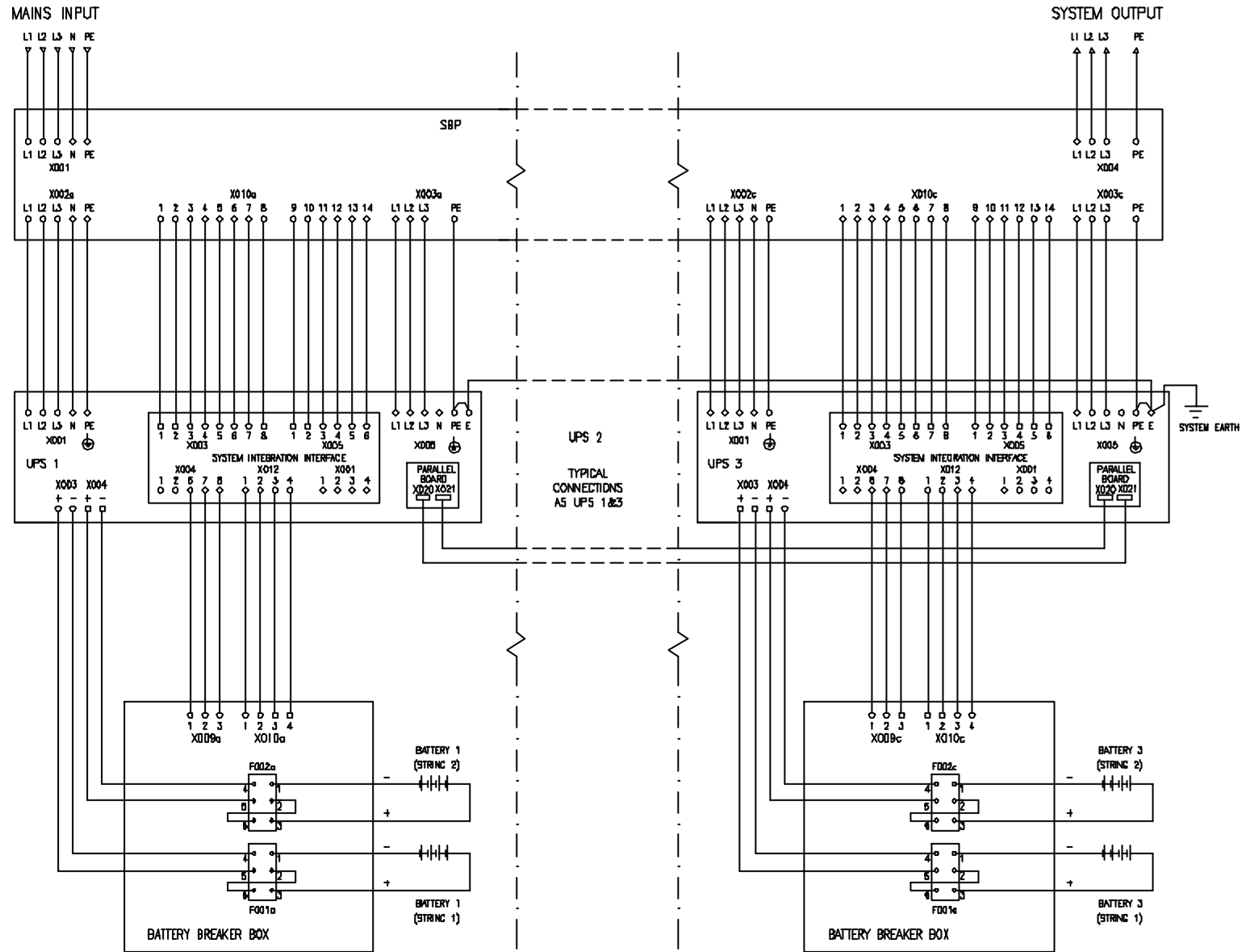
THIS DRAWING AND SPECIFICATIONS HEREIN ARE THE PROPERTY OF AMERICAN POWER CONVERSION AND SHALL NOT BE COPIED, REPRODUCED OR USED IN WHOLE OR IN PART, AS THE BASIS FOR THE MANUFACTURE OR SALE OF ITEMS WITHOUT WRITTEN PERMISSION FROM APC. THIS DRAWING IS BASED UPON LATEST AVAILABLE INFORMATION AND IS SUBJECT TO CHANGE WITHOUT NOTICE.

TITLE: SILICON 120KW UPS
 SYSTEM ONE LINE DIAGRAM
 120KW, 400/415V AC 3MOD
 PROJECT: SUBMITTAL DRAWING SHEET 1 OF 1

DWG NO: SLW120KHC3-SD
 ORIGIN: C. KRISHNAMOORTHY 17/10/01
 CHECKED: MILIND S/ K KATO 17/10/01
 ENGINEER: S WASH 17/10/01

REV. -
 SCALE: NTS
 PROJECTION





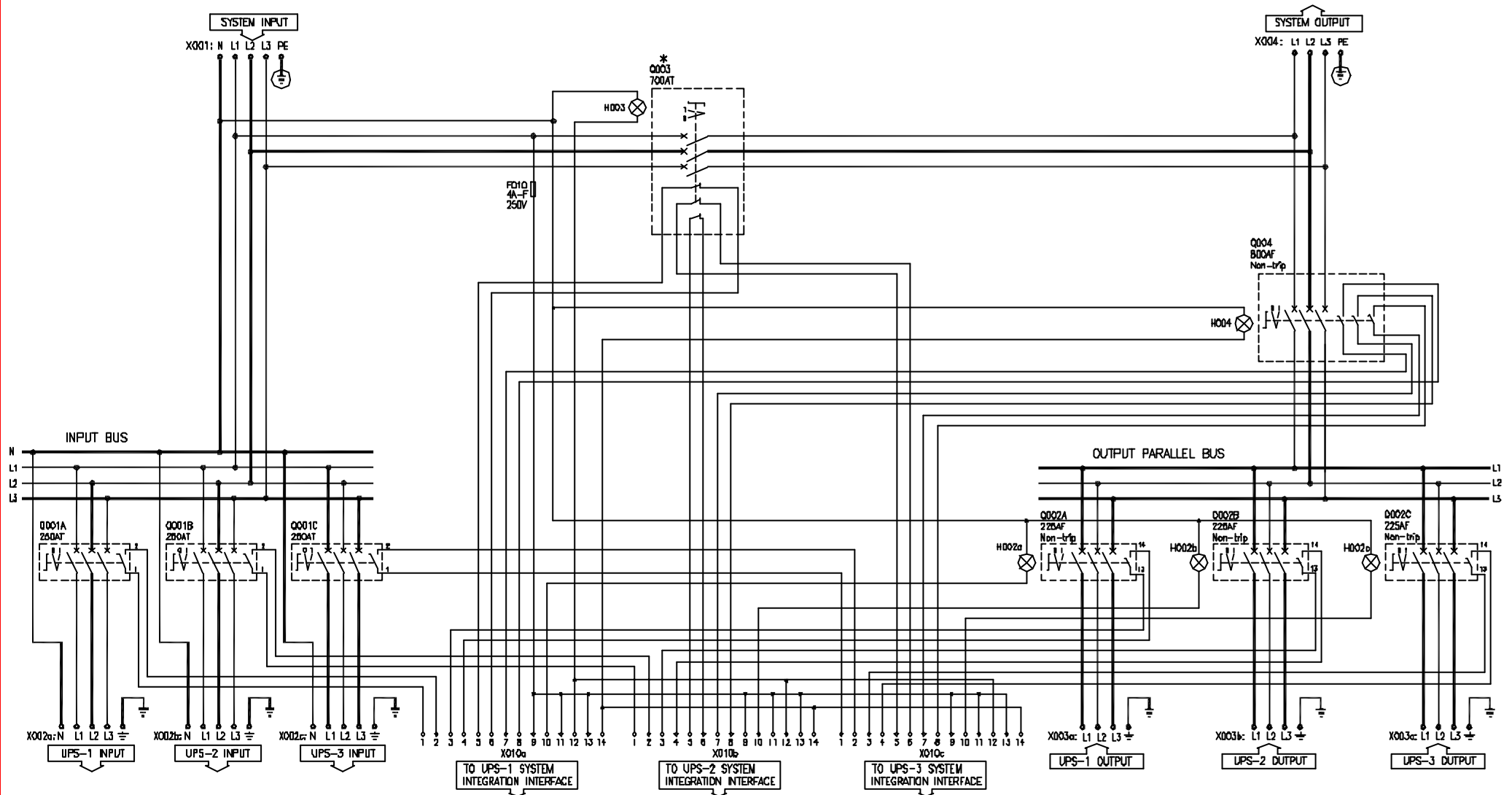
NOTES:-

1. MAINS INPUT MUST BE WYE 3 PHASE 4WIRE + GROUND, PROVIDED BY OTHERS.
2. ALL AC OUTPUT POWER CABLING FROM UPS IS 3 WIRE + GROUND AT 400/415V AC.
3. POWER WIRING AND CONTROL WIRING SHOULD BE IN SEPERATE CONDUITS.
4. CABLING PROVIDED BY OTHERS.
5. INSTALLATION MUST COMPLY WITH NATIONAL AND LOCAL CODES.

THIS DRAWING AND SPECIFICATIONS HERIN ARE THE PROPERTY OF AMERICAN POWER CONVERSION AND SHALL NOT BE COPIED, REPRODUCED OR USED IN WHOLE OR IN PART, AS THE BASIS FOR THE MANUFACTURE OR SALE OF ITEMS WITHOUT WRITTEN PERMISSION FROM APC. THIS DRAWING IS BASED UPON LATEST AVAILABLE INFORMATION AND IS SUBJECT TO CHANGE WITHOUT NOTICE.

TITLE:	SILCON 120kW UPS SYSTEM WIRING DIAGRAM 120kW, 400/415V AC, 3MDD.	DWG NO:	SLJ120KHC3-WD	REV.	-
PROJECT:	SUBMITAL DRAWING	DRAWN:	JAYAPRAKASH	05/04/02	SCALE: NTS
SHEET	1 OF 1	CHECKED:	MILIND S/K KATO	05/04/02	PROJECTION
		ENGINEER:	S WIRTH	05/04/02	





NOTES:

1. MAINS INPUT MUST BE WYE 3 PHASE 4 WIRE + GROUND, PROVIDED BY OTHERS.
2. ALL AC OUTPUT POWER CABLING FROM UPS IS 3 PHASE 3 WIRE + GROUND AT 400/415V AC.
3. POWER WIRING AND CONTROL WIRING SHOULD BE IN SEPARATE CONDUITS.
4. INDICATOR LAMPS
 - H002a/b/c : OK to operate parallel bus switch Q002A/B/C.
 - H003 : OK to operate bypass switch Q003.
 - H004 : OK to operate output switch Q004.

5. INSTALLATION MUST COMPLY WITH NATIONAL AND LOCAL CODES.

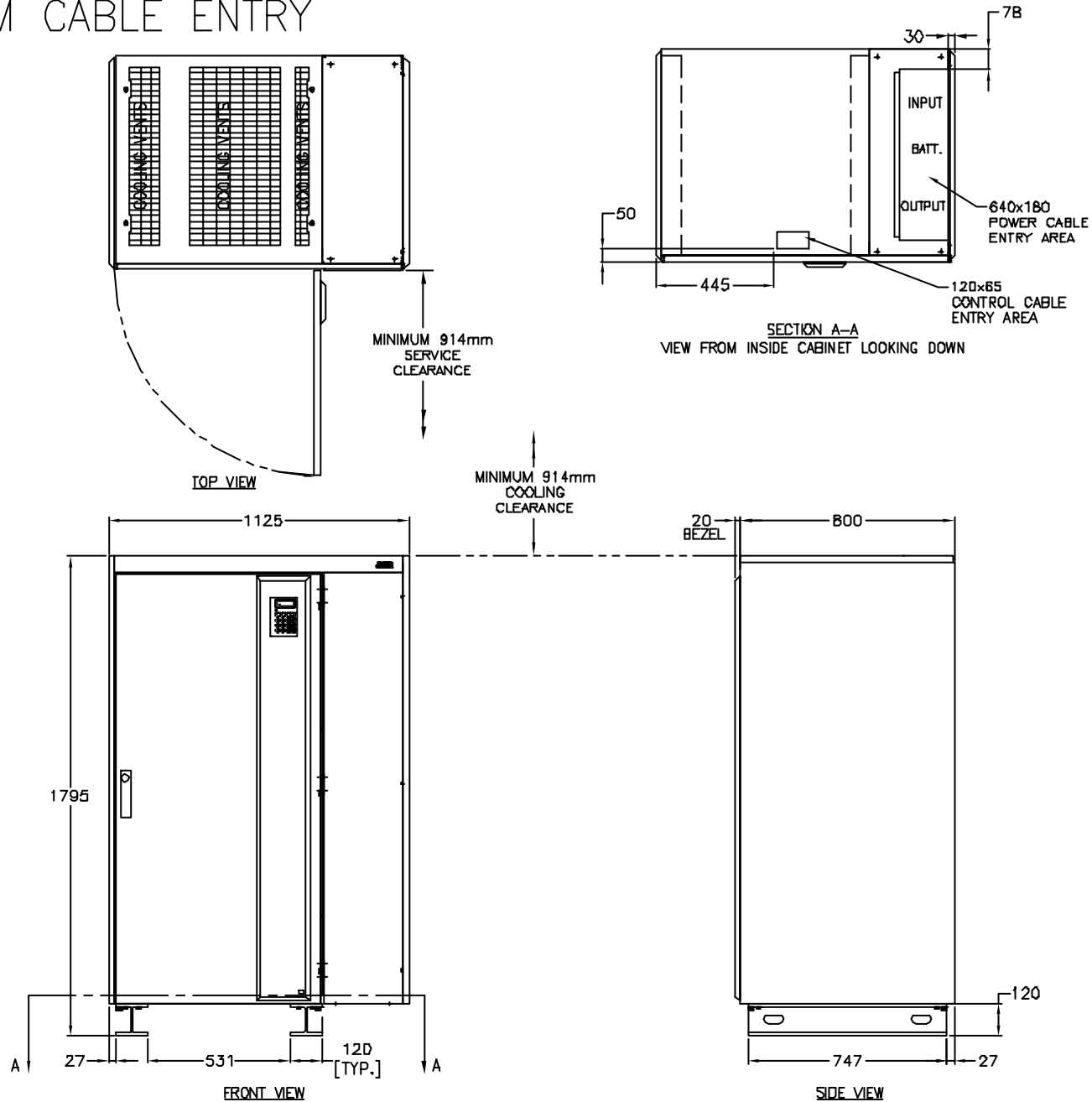
*ONLY Q003 AUXILIARY CONTACTS ARE NORMALLY CLOSED IN OFF POSITION.

THIS DRAWING AND SPECIFICATIONS HEREIN ARE THE PROPERTY OF AMERICAN POWER CONVERSION AND SHALL NOT BE COPIED, REPRODUCED OR USED IN WHOLE OR IN PART, AS THE BASIS FOR THE MANUFACTURE OR SALE OF ITEMS WITHOUT WRITTEN PERMISSION FROM APC. THIS DRAWING IS BASED UPON LATEST AVAILABLE INFORMATION AND IS SUBJECT TO CHANGE WITHOUT NOTICE.

TITLE: SILDCN 120kW UPS	DWG NO: SLJSBP120KHC3-ES	REV: -
SERVICE BYPASS PANEL ELECTRICAL SCHEMATIC	DRAWN: JAYAPRAKASH	17/10/01
120kW, 400/415V AC, 3MOD	CHECKED: MANO S/K KATO	17/10/01
PROJECT: SUBMITAL DRAWING SHEET 1 OF 1	ENGINEER: S WASH	17/10/01
	SCALE: NTS	PROJECTION:



MODEL WITH BOTTOM CABLE ENTRY



NOTES:

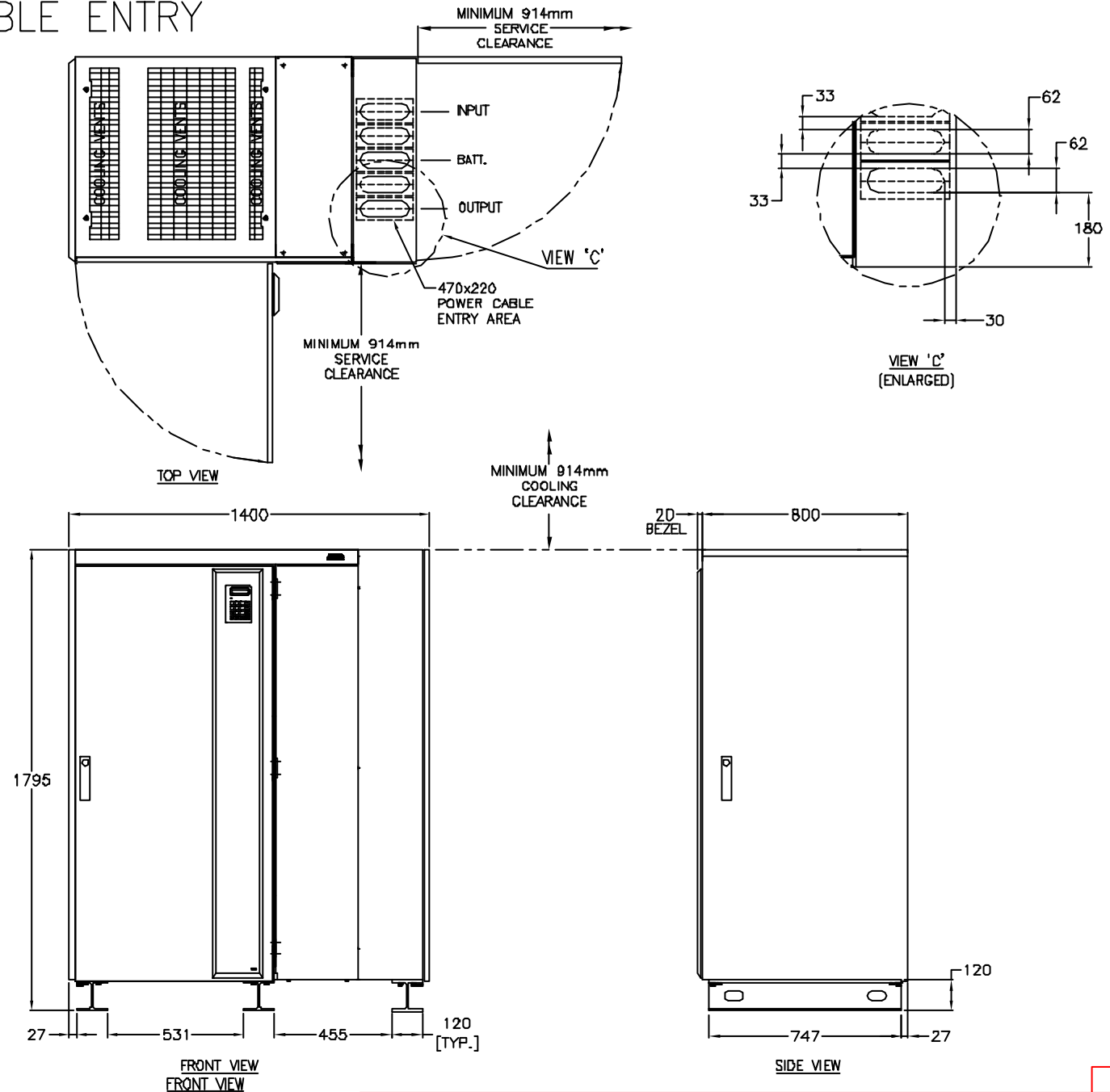
1. ALL DIMENSIONS ARE IN MILLIMETERS
2. MAXIMUM TOLERANCE ±5 MM
3. UNIT WEIGHT IS = 810 KG.
4. INSTALLATION MUST COMPLY WITH NATIONAL AND LOCAL CODES

THIS DRAWING AND SPECIFICATIONS HEREIN ARE THE PROPERTY OF AMERICAN POWER CONVERSION AND SHALL NOT BE COPIED, REPRODUCED OR USED IN WHOLE OR IN PART, AS THE BASIS FOR THE MANUFACTURE OR SALE OF ITEMS WITHOUT WRITTEN PERMISSION FROM APC. THIS DRAWING IS BASED UPON LATEST AVAILABLE INFORMATION AND IS SUBJECT TO CHANGE WITHOUT NOTICE.

TITLE:	SILCON 120kW UPS UPS CABINET, MECHANICAL 120kW, 400/415V, 50/60Hz	DWG NO.:	SLJ0120KH-MM	REV.:	-
DRAWN:	JAYAPRAKASH	03/04/02	SCALE:	1:1	
CHECKED:	MILIND S/ K KATO	03/04/02	PROJECTION:		
PROJECT:	SUBMITTAL DRAWINGS	SHEET	1 OF 2	ENGINEER:	S WASH
				03/04/02	



MODEL WITH TOP CABLE ENTRY



NOTES:

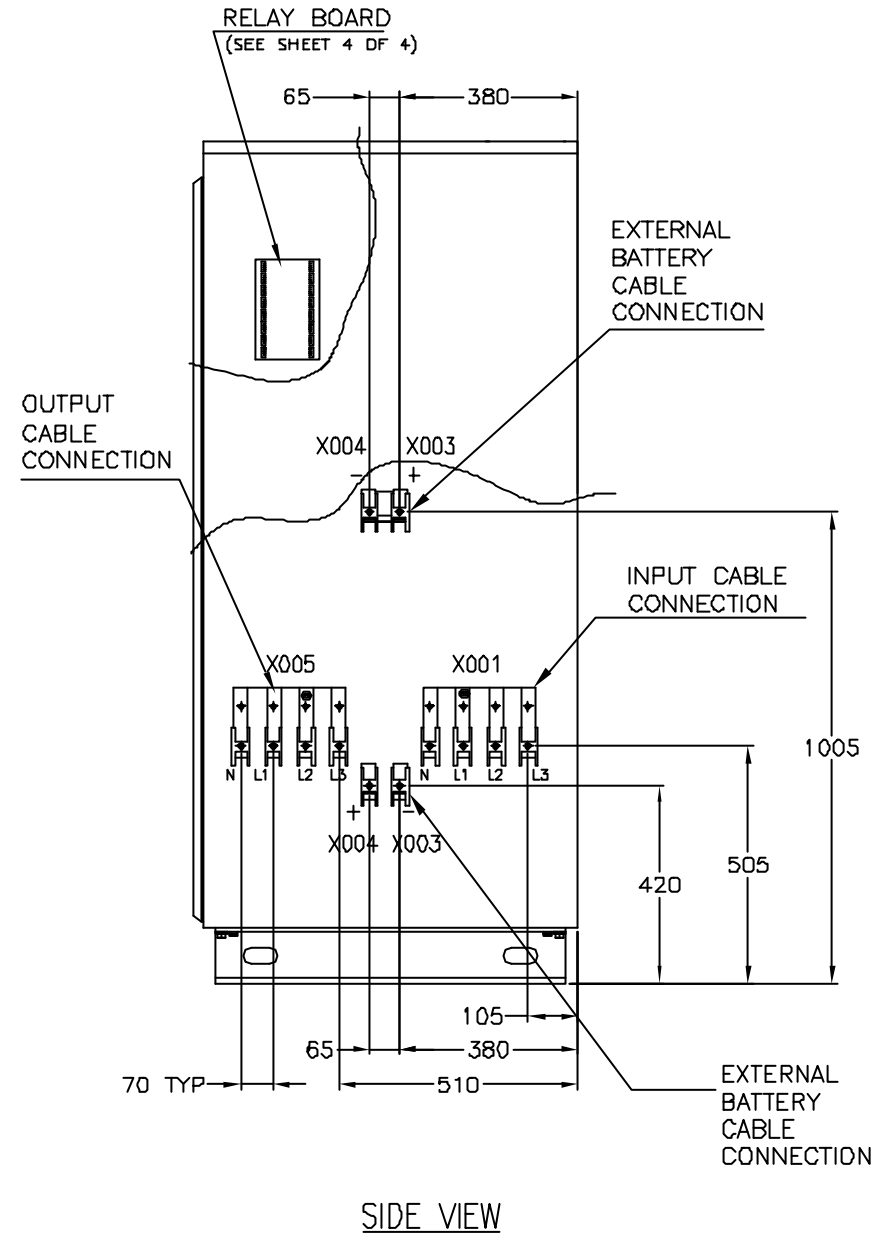
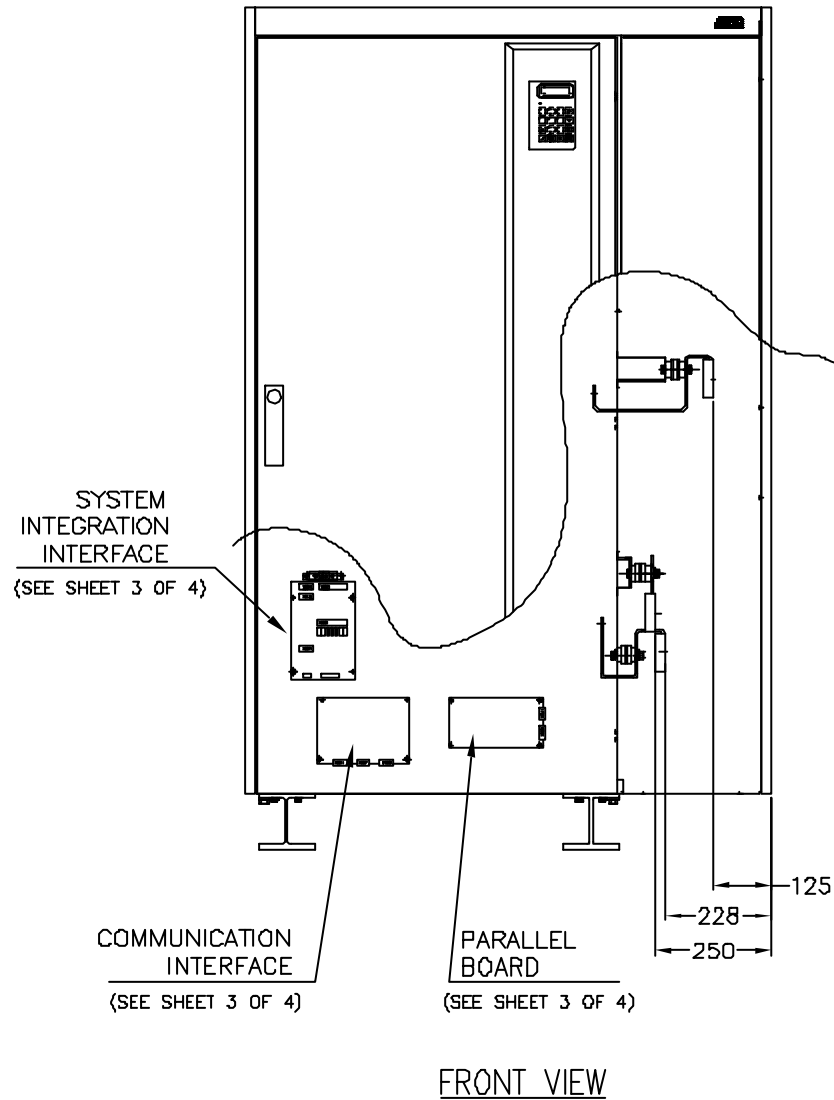
1. ALL DIMENSIONS ARE IN MILLIMETERS
2. MAXIMUM TOLERANCE ± 5 MM
3. UNIT WEIGHT IS = 910 KG
4. INSTALLATION MUST COMPLY WITH NATIONAL AND LOCAL CODES

THIS DRAWING AND SPECIFICATIONS HEREIN ARE THE PROPERTY OF AMERICAN POWER CONVERSION AND SHALL NOT BE COPIED, REPRODUCED OR USED IN WHOLE OR IN PART, AS THE BASIS FOR THE MANUFACTURE OR SALE OF ITEMS WITHOUT WRITTEN PERMISSION FROM APC. THIS DRAWING IS BASED UPON LATEST AVAILABLE INFORMATION AND IS SUBJECT TO CHANGE WITHOUT NOTICE.

TITLE: SILCON 120kW UPS UPS CABINET, MECHANICAL 120kW, 40D/415V, 5D/60Hz		DWG NO.: SLJ0120KH-MM	REV.: -
DRAWN: JAYAPRAKASH	03/04/02	SCALE: 1:1	
CHECKED: MILIND S/ K KATO	03/04/02	PROJECTION:	
PROJECT: SUBMITTAL DRAWINGS	SHEET 2 OF 2	ENGINEER: S WASH	03/04/02



MODEL WITH BOTTOM CABLE ENTRY



NOTES:

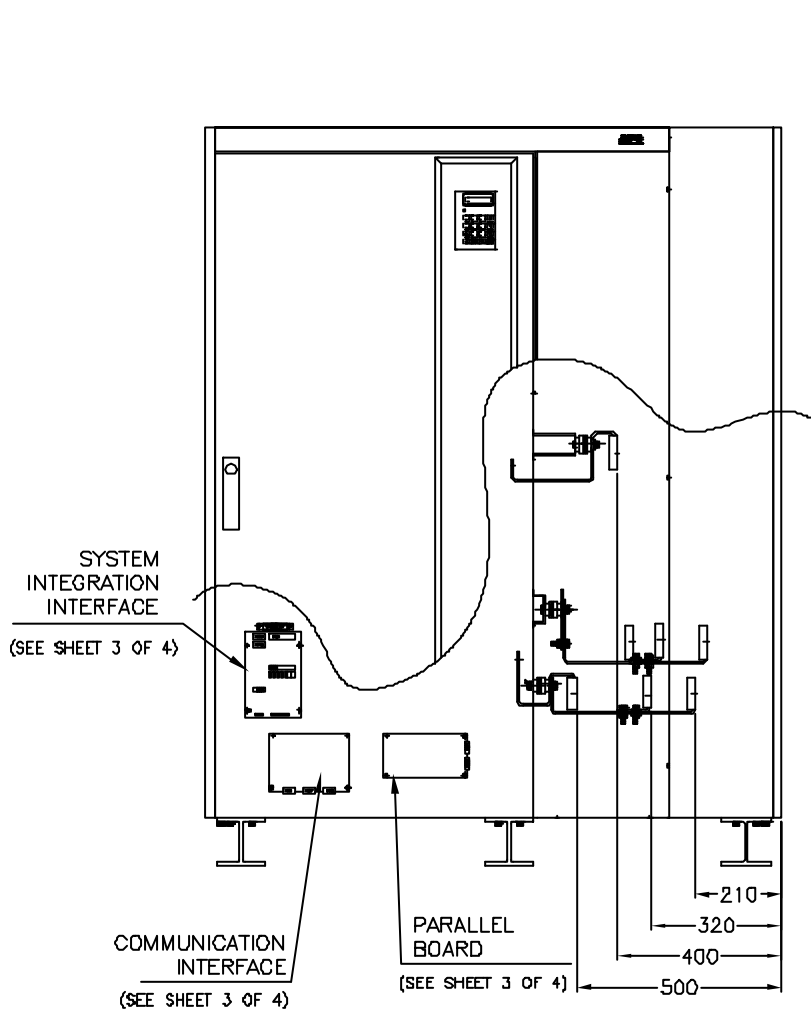
1. ALL DIMENSIONS ARE IN MILLIMETERS
2. MAXIMUM TOLERANCE ± 5 mm
3. LUGS PROVIDED BY OTHERS. SEE INSTALLATION MANUAL FOR SIZES
4. INSTALLATION MUST COMPLY WITH NATIONAL AND LOCAL CODES

THIS DRAWING AND SPECIFICATIONS HEREIN ARE THE PROPERTY OF AMERICAN POWER CONVERSION AND SHALL NOT BE COPIED, REPRODUCED OR USED IN WHOLE OR IN PART, AS THE BASIS FOR THE MANUFACTURE OR SALE OF ITEMS WITHOUT WRITTEN PERMISSION FROM APC. THIS DRAWING IS BASED UPON LATEST AVAILABLE INFORMATION AND IS SUBJECT TO CHANGE WITHOUT NOTICE.

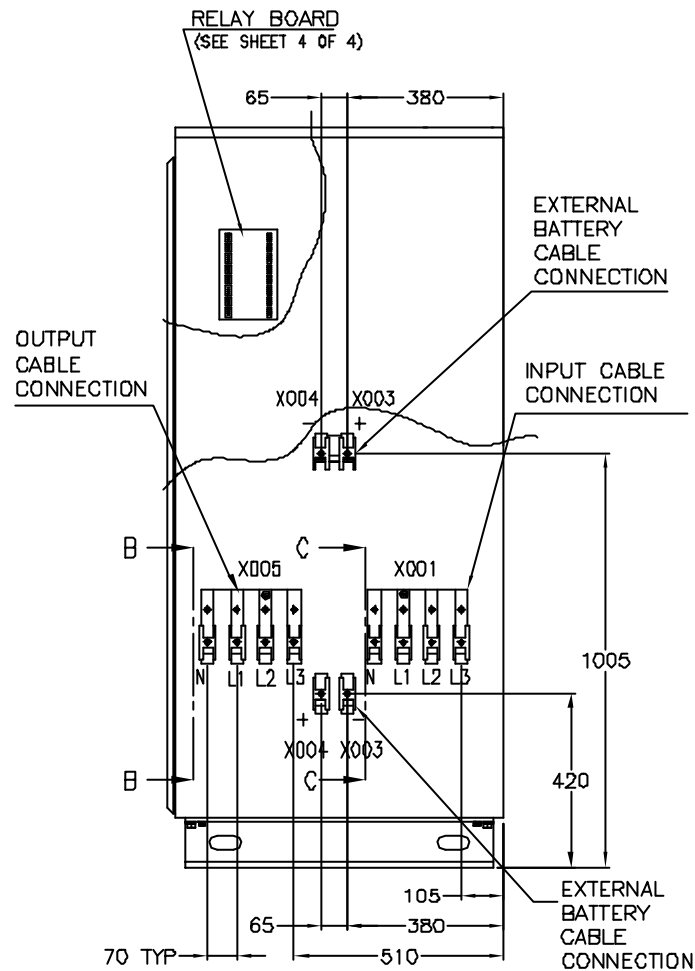
TITLE:	SILCON 120kW UPS UPS CABINET, ELECTRICAL 120kW, 400/415V, 50/60Hz	DWG NO.:	SLJ0120KH-ME	REV.:	-
DRWNR:	JAYAPRAKASH	DATE:	03/04/02	SCALE:	1:1
CHECKED BY:	MILIND S/ K KATO	DATE:	03/04/02	PROJECTION:	
PROJECT:	SUBMITAL DRAWINGS	SHEET:	1 OF 4	ENGINEER:	S WACH
				DATE:	03/04/02



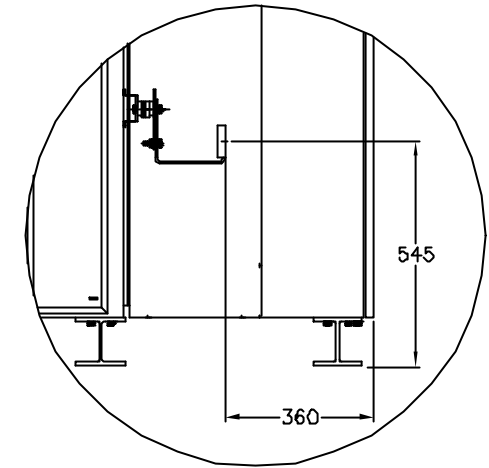
MODEL WITH TOP CABLE ENTRY



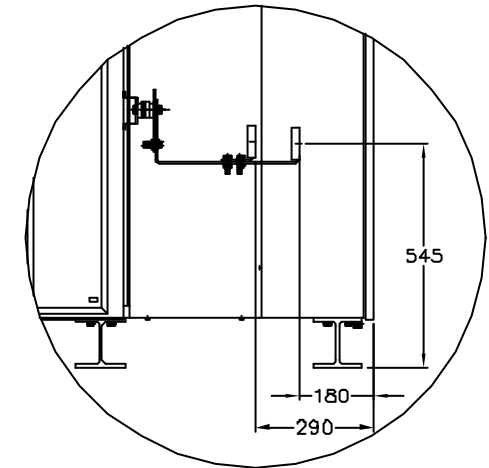
FRONT VIEW



SIDE VIEW



VIEW B-B LEFT SIDE
OUTPUT CABLE CONNECTIONS



VIEW C-C RIGHT SIDE
INPUT CABLE CONNECTIONS

NOTES:

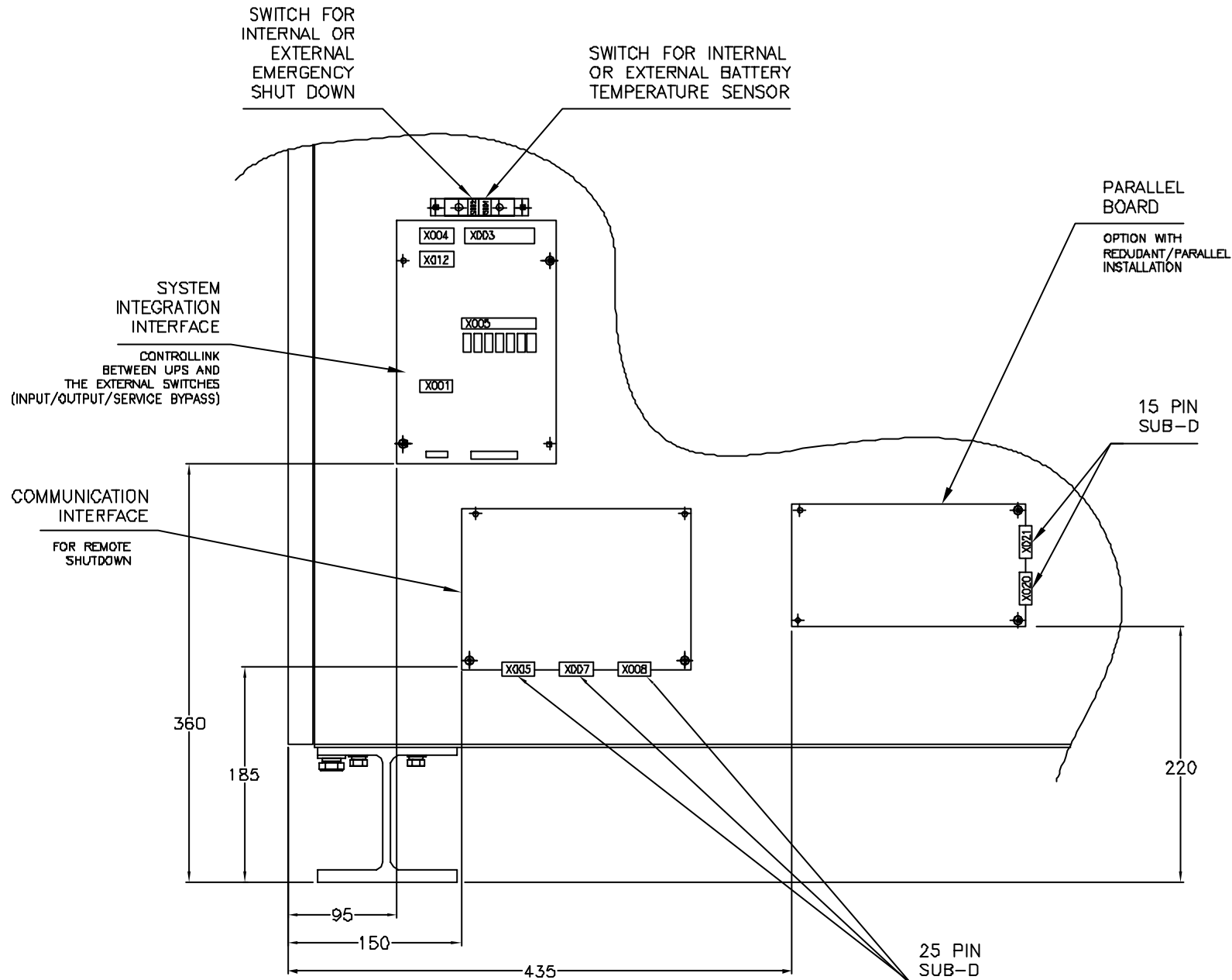
1. ALL DIMENSIONS ARE IN MILLIMETERS
2. MAXIMUM TOLERANCE $\pm 5\text{mm}$
3. LUGS PROVIDED BY OTHERS. SEE INSTALLATION MANUAL FOR SIZES
4. INSTALLATION MUST COMPLY WITH NATIONAL AND LOCAL CODES

THIS DRAWING AND SPECIFICATIONS HEREIN ARE THE PROPERTY OF AMERICAN POWER CONVERSION AND SHALL NOT BE COPIED, REPRODUCED OR USED IN WHOLE OR IN PART, AS THE BASIS FOR THE MANUFACTURE OR SALE OF ITEMS WITHOUT WRITTEN PERMISSION FROM APC. THIS DRAWING IS BASED UPON LATEST AVAILABLE INFORMATION AND IS SUBJECT TO CHANGE WITHOUT NOTICE.

TITLE: SILCON 120kW UPS
UPS CABINET, ELECTRICAL
120kW, 400/415V, 50/60HZ

DWG NO: SLJ0120KH-ME REV. -
DRAWN: JAYAPRAKASH 03/04/02 SCALE: 1:1
CHECKED: MILIND S/ K KATO 03/04/02 PROJECTION
ENGINEER: S WACH 03/04/02





NOTES:

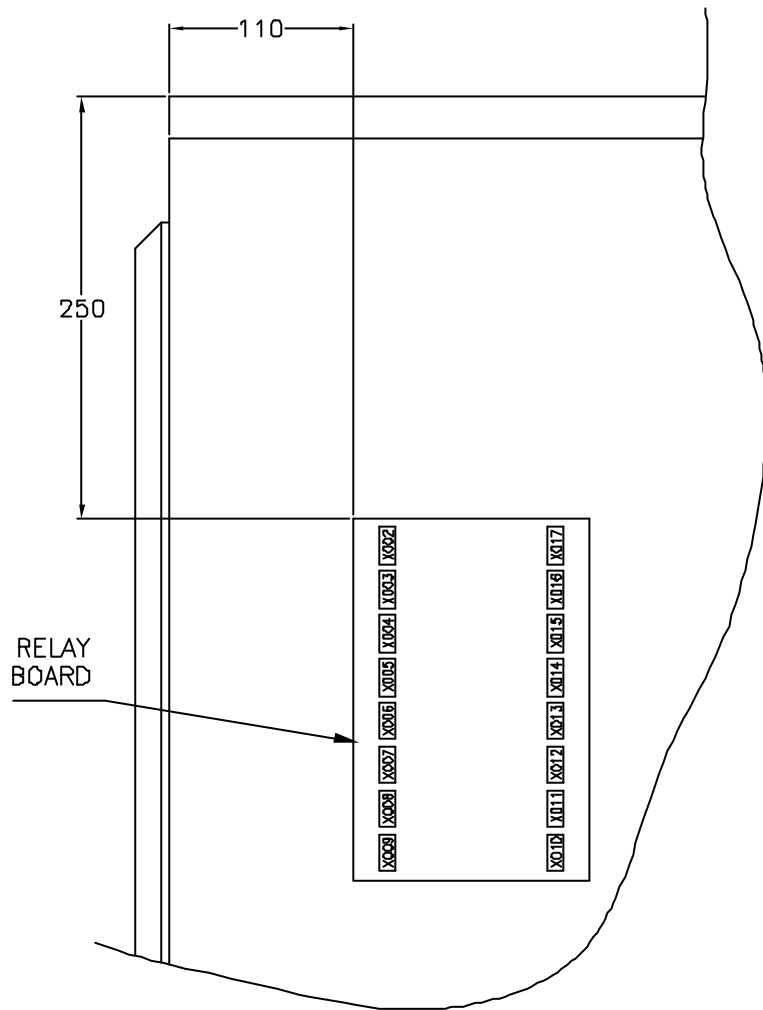
1. ALL DIMENSIONS ARE IN MILLIMETERS
2. MAXIMUM TOLERANCE $\pm 5\text{mm}$
3. LUGS PROVIDED BY OTHERS. SEE INSTALLATION MANUAL FOR SIZES
4. INSTALLATION MUST COMPLY WITH NATIONAL AND LOCAL CODES

THIS DRAWING AND SPECIFICATIONS HEREIN ARE THE PROPERTY OF AMERICAN POWER CONVERSION AND SHALL NOT BE COPIED, REPRODUCED OR USED IN WHOLE OR IN PART, AS THE BASIS FOR THE MANUFACTURE OR SALE OF ITEMS WITHOUT WRITTEN PERMISSION FROM APC. THIS DRAWING IS BASED UPON LATEST AVAILABLE INFORMATION AND IS SUBJECT TO CHANGE WITHOUT NOTICE.

TITLE: SILCON 120kW UPS
UPS CABINET, ELECTRICAL
120kW, 400/415V, 50/60Hz

DWG NO: SLJ0120KH-ME REV. -
DRAWN: JAYAPRAKASH 03/04/02 SCALE: 1:1
CHECKED: MILIND S/ K KATO 03/04/02 PROJECTION
PROJECT: SUBMITAL DRAWINGS SHEET 3 OF 4 ENGINEER: S WACH 03/04/02





NOTES:

1. ALL DIMENSIONS ARE IN MILLIMETERS
2. MAXIMUM TOLERANCE $\pm 5\text{mm}$
3. LUGS PROVIDED BY OTHERS. SEE INSTALLATION MANUAL FOR SIZES
4. INSTALLATION MUST COMPLY WITH NATIONAL AND LOCAL CODES

THIS DRAWING AND SPECIFICATIONS HEREIN ARE THE PROPERTY OF AMERICAN POWER CONVERSION AND SHALL NOT BE COPIED, REPRODUCED OR USED IN WHOLE OR IN PART, AS THE BASIS FOR THE MANUFACTURE OR SALE OF ITEMS WITHOUT WRITTEN PERMISSION FROM APC. THIS DRAWING IS BASED UPON LATEST AVAILABLE INFORMATION AND IS SUBJECT TO CHANGE WITHOUT NOTICE.

TITLE: SILCON 120kW UPS
 UPS CABINET, ELECTRICAL
 120kW, 40D/415V, 5D/60Hz
PROJECT: SUBMITTAL DRAWINGS SHEET 4 OF 4

DWG NO.: SLJ0120KH-ME **REV.:** -
DRAWN: JAYAPRAKASH **03/04/02** **SCALE:** 1:1
CHECKED: MILIND S/ K KATO **03/04/02** **PROJECTION:**
ENGINEER: S WASH **03/04/02**

