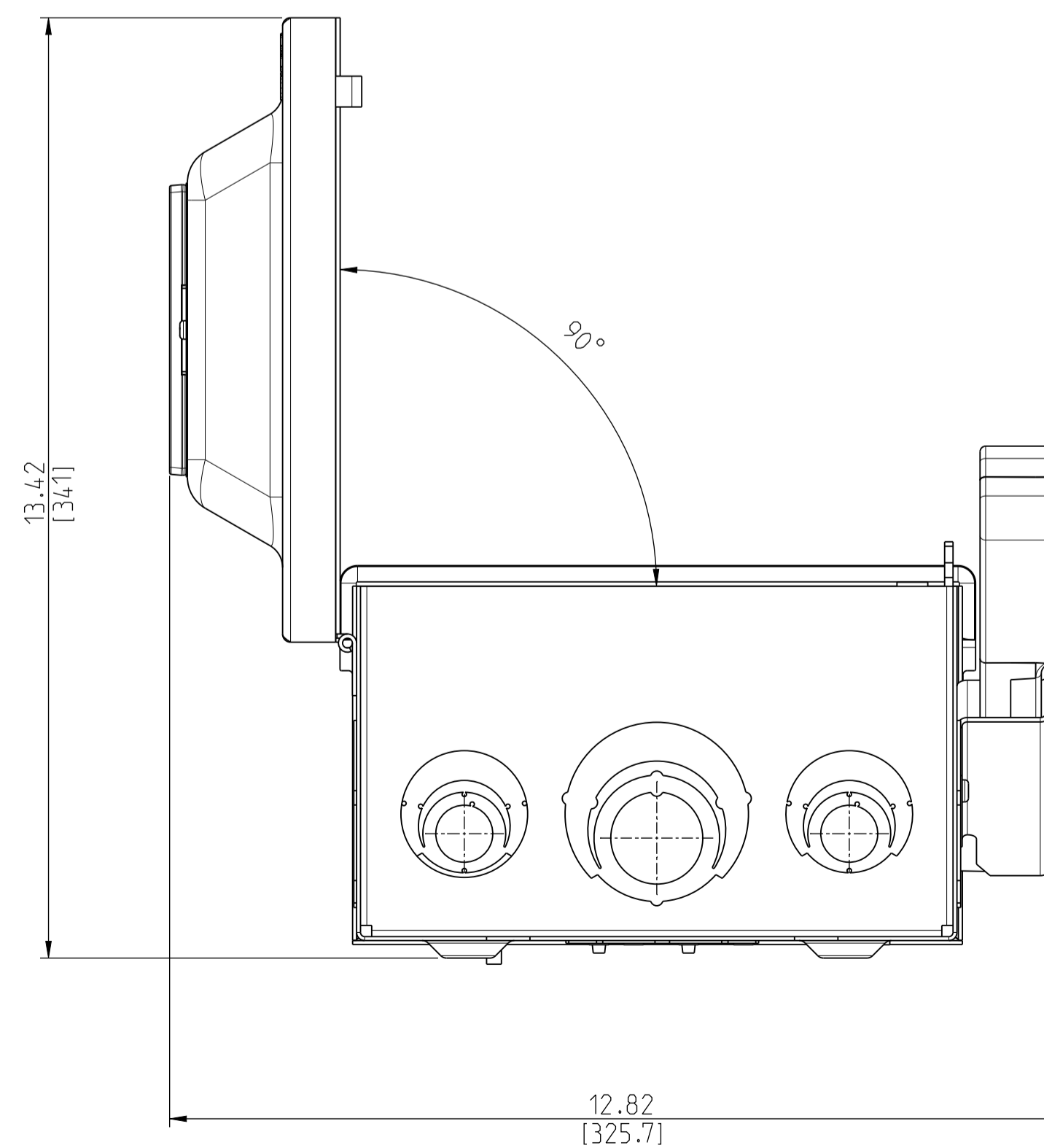
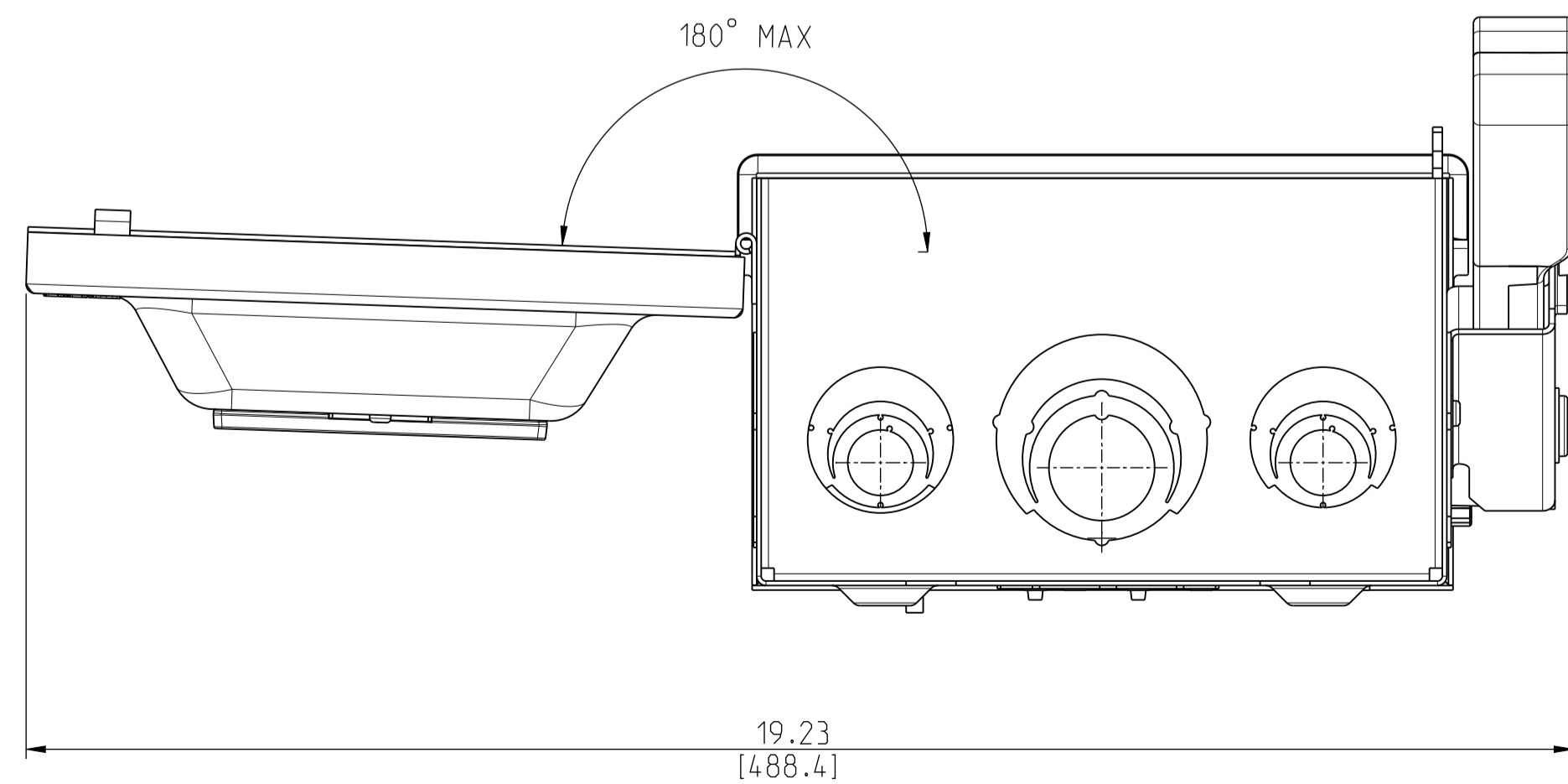
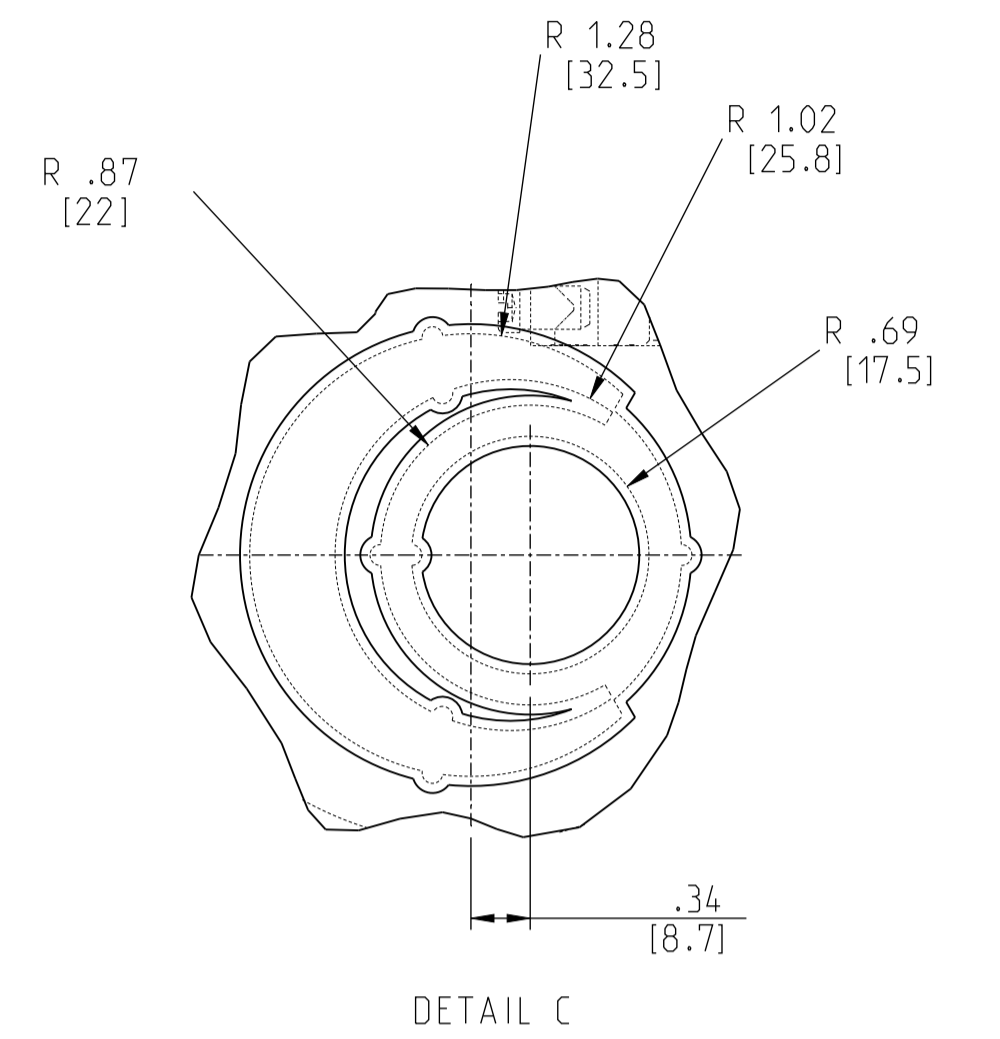
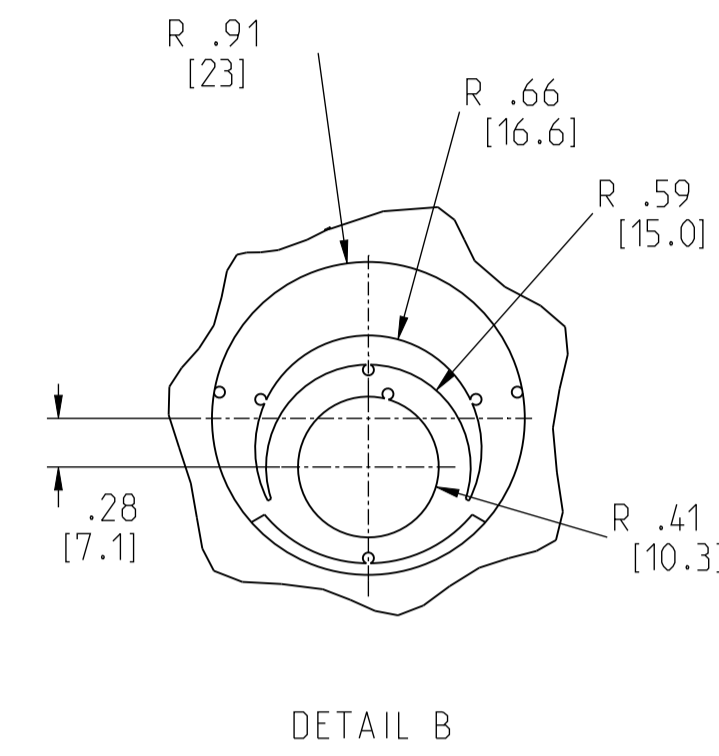
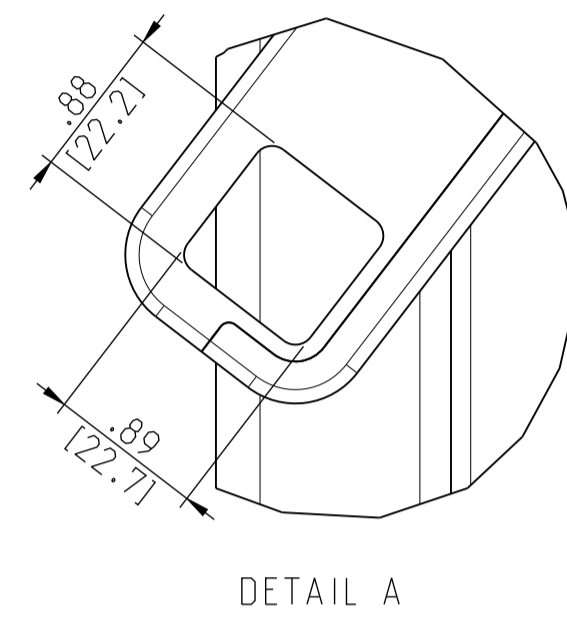
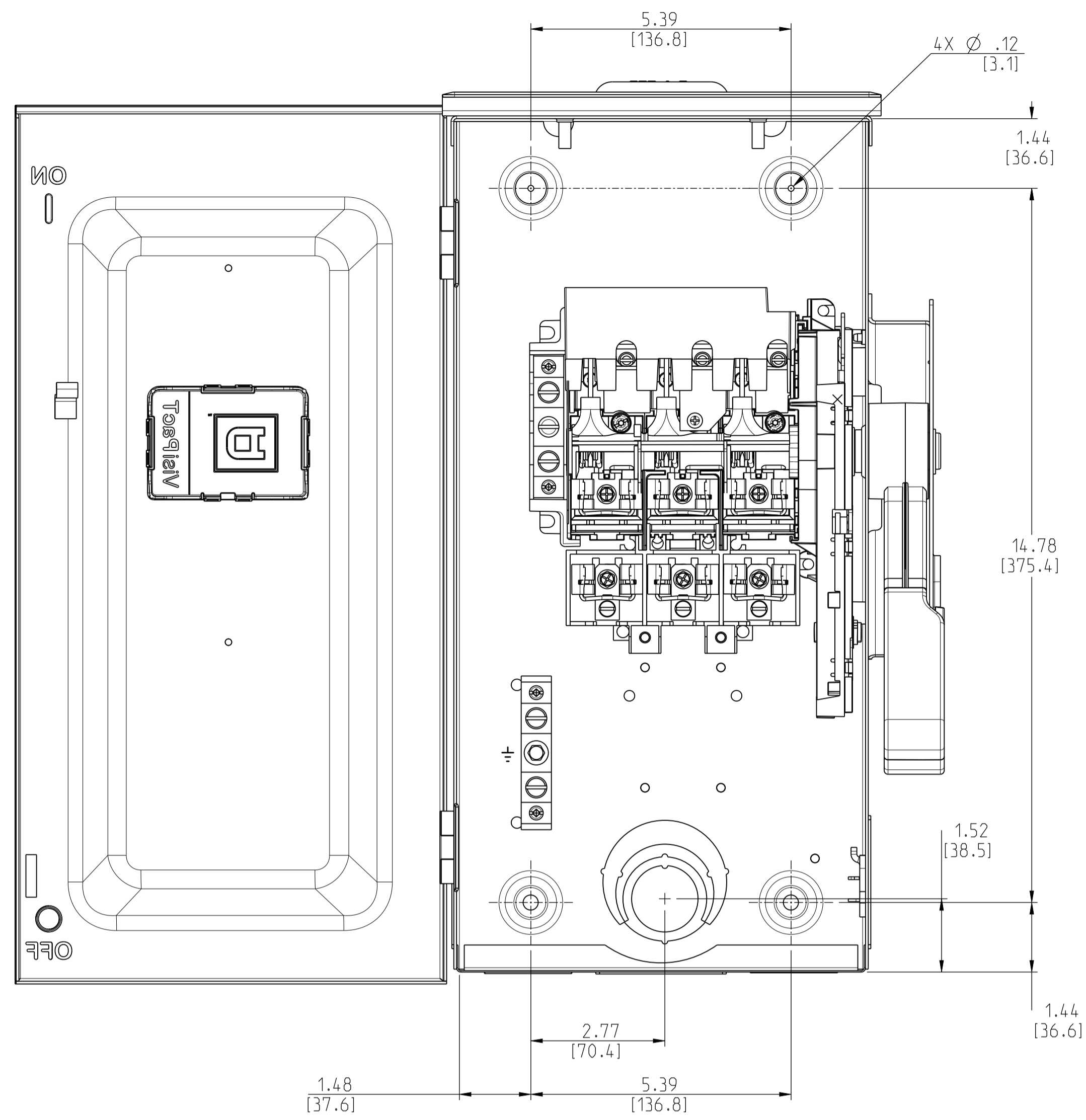


	Scale: NTS	Technical Specification:	Units of measure: in
	Document Description: APVH362BRBGL_CUSTOMER-DRAWING		Doc. Rev. Sheet: OO 1/3
Document Number: APVH362BRBGL_CUSTOMER-DRAWING		State:	

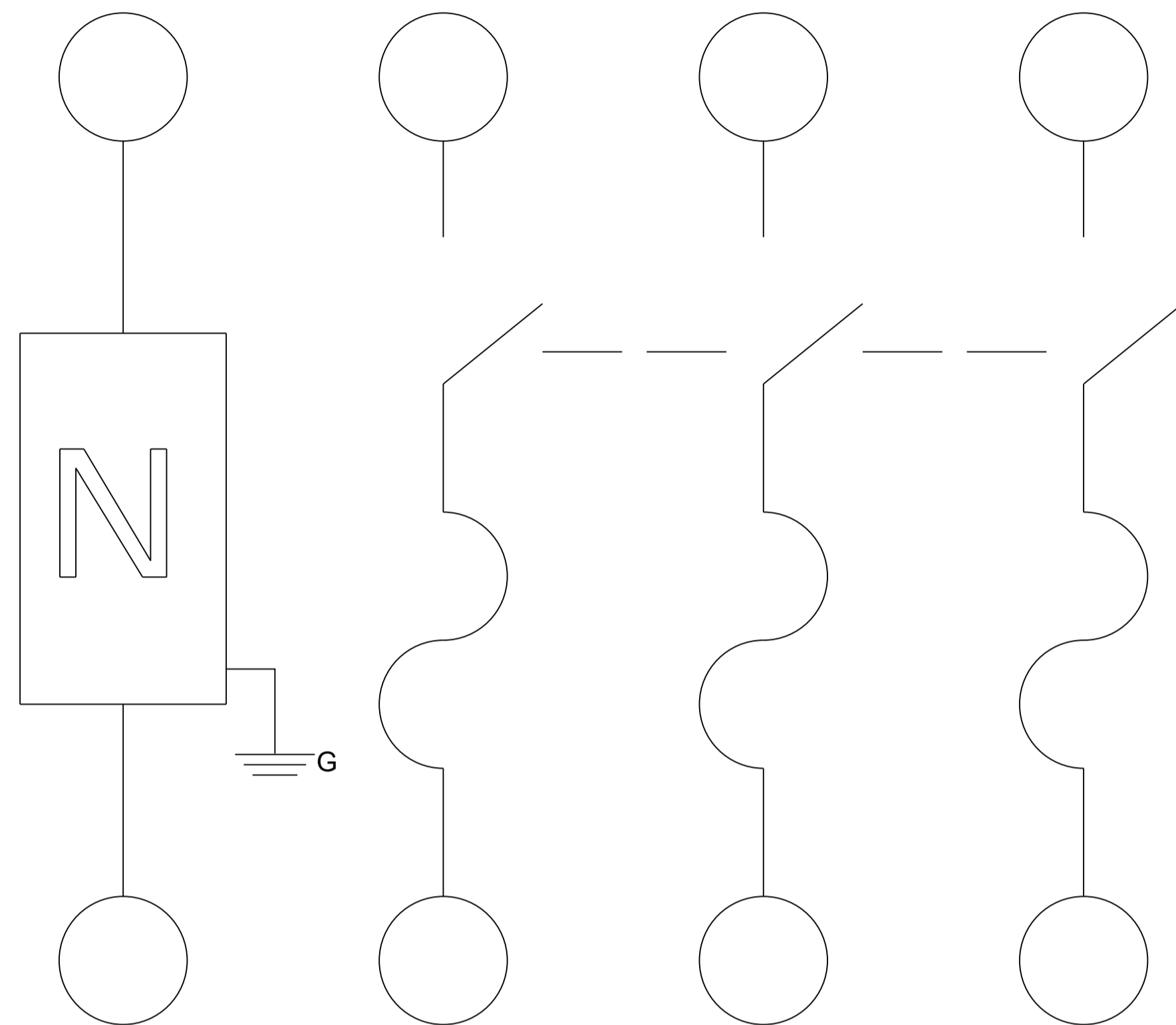


	Scale: NTS	Technical Specification:	Units of measure: in
	Document Description: APVH362BRBGL_CUSTOMER-DRAWING		Doc. Rev. Sheet: OO 2/3
Document Number: APVH362BRBGL_CUSTOMER-DRAWING		State:	

The information is highly confidential and is the exclusive property of Schneider Electric. Copyright reserved. This drawing must not be used for any product other than those expressly mentioned in writing by the users and must not be disclosed or transmitted in any way without permission from the users in writing. This drawing must be returned to the users when the service has ceased.

LINE SIDE

ACCEPTS: 12-2 AWG AL
14-2 AWG CU



LOAD SIDE

ACCEPTS: 12-2 AWG AL
14-2 AWG CU

NOTES:

FINISH - GALVANNEAL STEEL, GRAY BAKED ENAMEL

LUGS SUITABLE FOR 60°C OR 75°C AL-CU CONDUCTORS

SHORT CIRCUIT CURRENT RATINGS:

10,000 RMS SYMMETRICAL AMPERES WHEN USED IN CONJUNCTION WITH CLASS H OR K FUSES. 200,000 RMS SYMMETRICAL AMPERES WHEN USED IN CONJUNCTION WITH CLASS R, J OR T FUSES.

cULus LISTED - FILE E2875

SEISMIC NOTES:

USE (4) DIA GRADE 5 STEEL MOUNTING BOLTS AT SWITCH MOUNTING HOLES. MAX CONFIGURED WEIGHT 20 LB FOR THE PURPOSE OF DETERMINING SEISMIC ANCHORAGE REQUIREMENTS. FOR ALL OTHER APPLICATIONS, CONTACT SQUARE D COMPANY.

CATALOG NUMBER	VOLTAGE RATING	AMPERAGE RATING	ENCLOSURE RATING
VH362BRBGL	600 VAC/VDC	60A	TYPE 3R

HORSEPOWER RATINGS			
VOLTS	Ø	STD	MAX
*240V~	1	3	10
**240V~	3	7.5	15
*480V~	1	5	20
**480V~	3	15	30
600V~	3	15	50
*250V=	--	10	--
*600V=	--	25	30

*USE BOTH OUTER SWITCHING POLES
**IF CORNER GROUNDED DELTA, USE OUTER SWITCHING POLES FOR UNGROUNDED CONDUCTORS

KIT	VOLTAGE	PART NUMBER
ELECTRICAL INTERLOCK	600V	EIK1, EIK2
	240V	EIK031, EIK032
CLASS R FUSE KITS	600V	RFK03H, RFK06
	240V	RFK03L
INTERNAL BARRIER	600V	SS06
	240V	SS03
FUSE PULLER	600V	FPK0610
	240V	FPK03
SOLID NEUTRAL ASSEMBLY	600V	SN0610 for Al SN0610C for Cu FOR CANADA: CSN0610 for Al CSN0610C for Cu
	240V	SN03 for Al SN03C for Cu FOR CANADA: CSN03 for Al CSN03C for Cu
EQUIPMENT GROUNDING KIT	600V	GTK0610 for Al GTK0610C for Cu
	240V	GTK03 for Al GTK03C for Cu
TOUCH UP PAINT	600V & 240V	PK49SP
LOCK OFF/ON	600V	LOGK2
	240V	LOGK1
COPPER LUGS	600V & 240V	CL0306F

	Scale: NTS	Technical Specification:	Units of measure: in
	Document Description: APVH362BRBGL_CUSTOMER-DRAWING		Doc. Rev. Sheet: 00 3/3
Document Number: APVH362BRBGL_CUSTOMER-DRAWING		State:	

The information is highly confidential and is the exclusive property of Schneider Electric. It is not to be disclosed or reproduced in any form without the express written permission of Schneider Electric. This drawing must be returned to the factory when the product has been used.