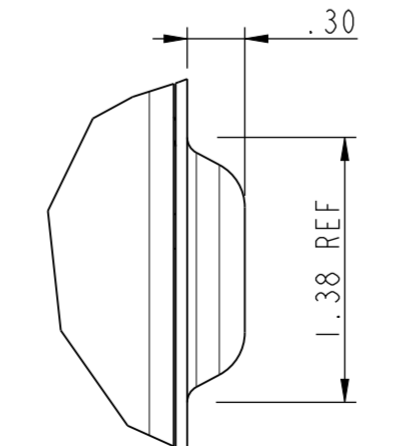


DETAIL A
SCALE 1.000



DETAIL B
SCALE 1.000

REF CAT NO	A	B	C
MH26BE	26.00	21.00	20.00
MH32BE	32.00	27.00	26.00
MH38BE	38.00	33.00	32.00
MH44BE	44.00	39.00	38.00
MH50BE	50.00	45.00	44.00
MH56BE	56.00	51.00	50.00
MH62BE	62.00	57.00	56.00
MH68BE	68.00	63.00	62.00
MH74BE	74.00	69.00	68.00
MH80BE	80.00	75.00	74.00
MH86BE	86.00	81.00	80.00
MH92BE	92.00	87.00	86.00

	Scale: 0.250	Technical Specification:	Units of measure: in
	CUSTOMER DRAWING NEMA 1 BE ENCLOSURES		
Document Number: 80116-395-5X		Doc. Rev. 00	Sheet: 1/1
<small>The information is highly confidential and is the exclusive property of Schneider Electric. Copyright reserved. This drawing must not be used for any purpose other than that expressly permitted in writing by the owners and must not be disclosed or reproduced in any way without permission from the owners in writing. This drawing must be retained to the owners when the purpose has ceased.</small>			