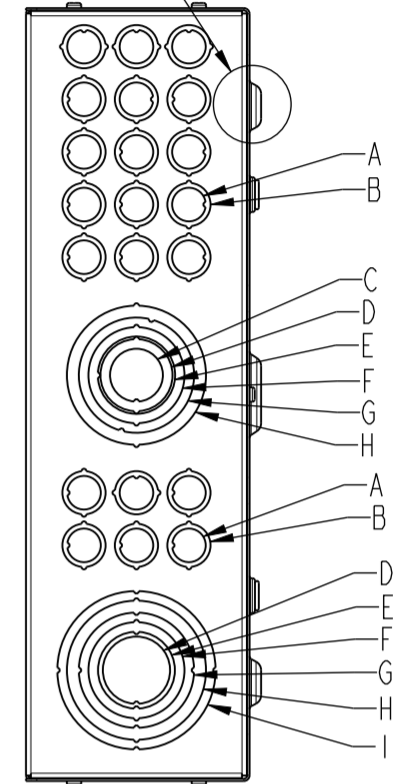
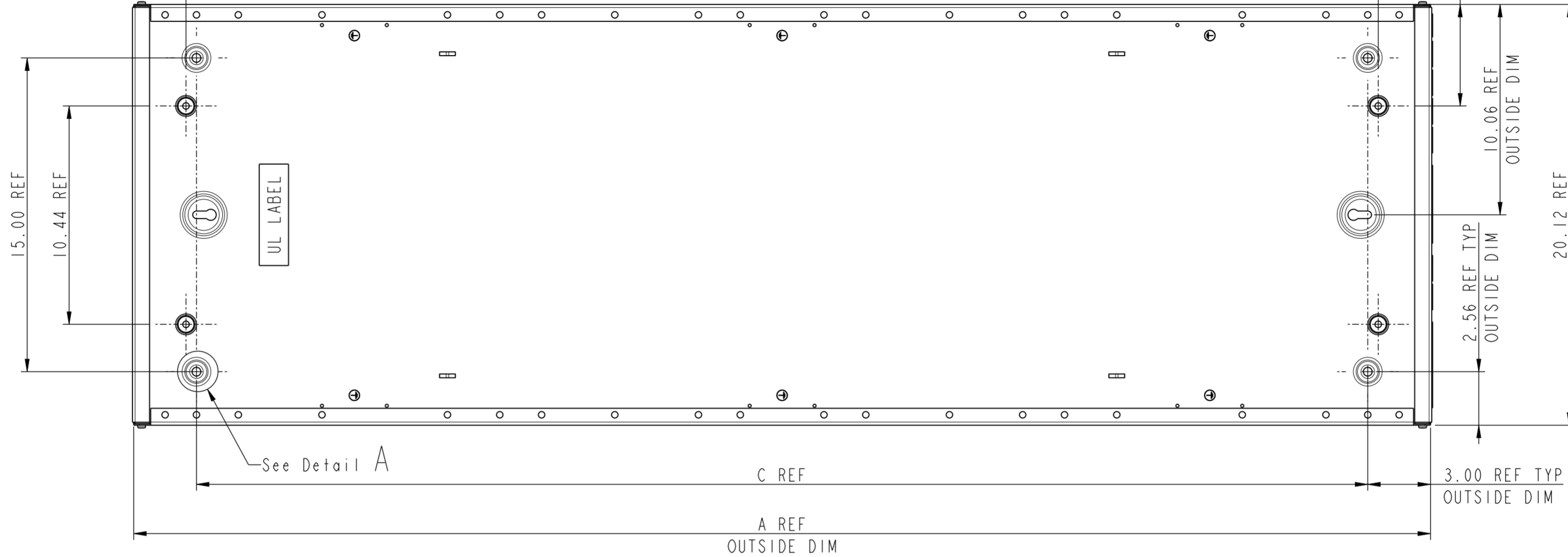
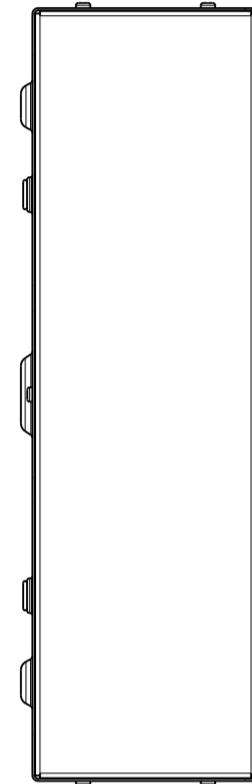


2.50 REF TYP
OUTSIDE DIM

B REF

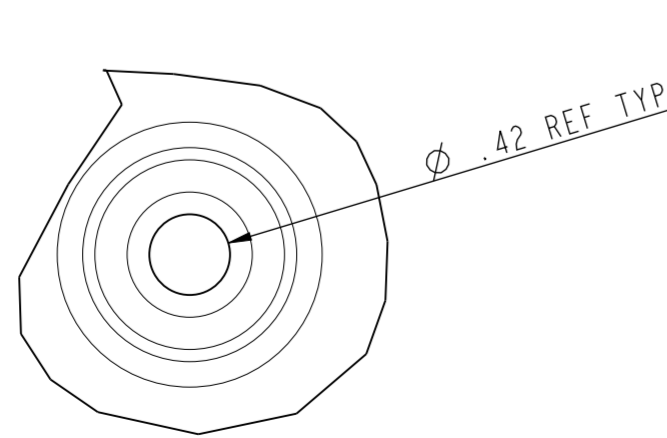
4.86 REF TYP
OUTSIDE DIM

See Detail B

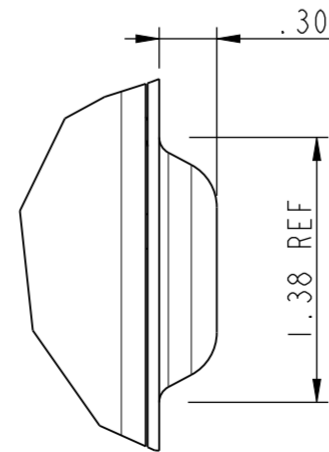


5.82 REF
OUTSIDE DIM

REF CAT NO	A	B	C
MH26	26.00	21.00	20.00
MH32	32.00	27.00	26.00
MH38	38.00	33.00	32.00
MH44	44.00	39.00	38.00
MH50	50.00	45.00	44.00
MH56	56.00	51.00	50.00
MH62	62.00	57.00	56.00
MH68	68.00	63.00	62.00
MH74	74.00	69.00	68.00
MH80	80.00	75.00	74.00
MH86	86.00	81.00	80.00
MH92	92.00	87.00	86.00

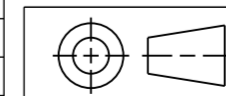


DETAIL A
SCALE 1.000



DETAIL B
SCALE 1.000

KNOCKOUTS		
SYMBOL	CONDUIT SIZE	KNOCKOUT DIAMETER
A	.50	.88
B	.75	1.12
C	1.00	1.376
D	1.25	1.75
E	1.50	2.00
F	2.00	2.50
G	2.50	3.00
H	3.00	3.62
I	3.50	4.12



Scale: 0.250

Technical Specification:

Units of measure:
in



CUSTOMER DRAWING
NEMA 1 ENCLOSURES

Document Number:
80116-393-5X

Doc. Rev. 00
Sheet: 1/1

The information is highly confidential and is the exclusive property of Schneider Electric. Copyright reserved. This drawing must not be used for any purpose other than that expressly permitted in writing by the owners and must not be disclosed or reproduced in any way without permission from the owners in writing. This drawing must be retained to the owners when the purpose has ceased.

State: