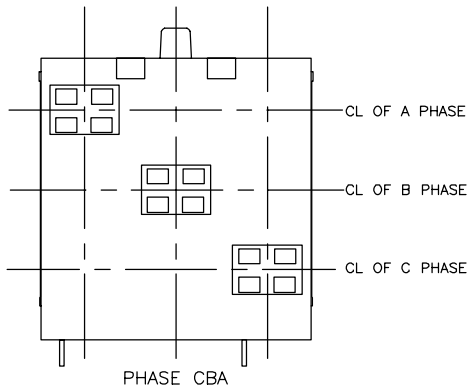
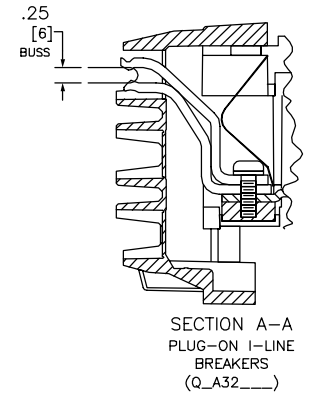
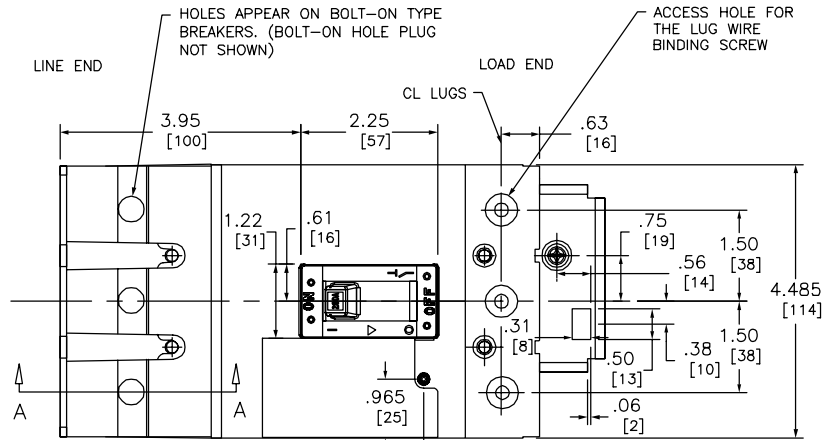
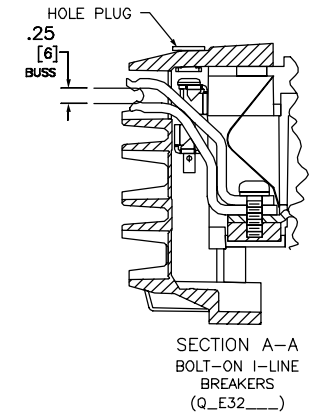
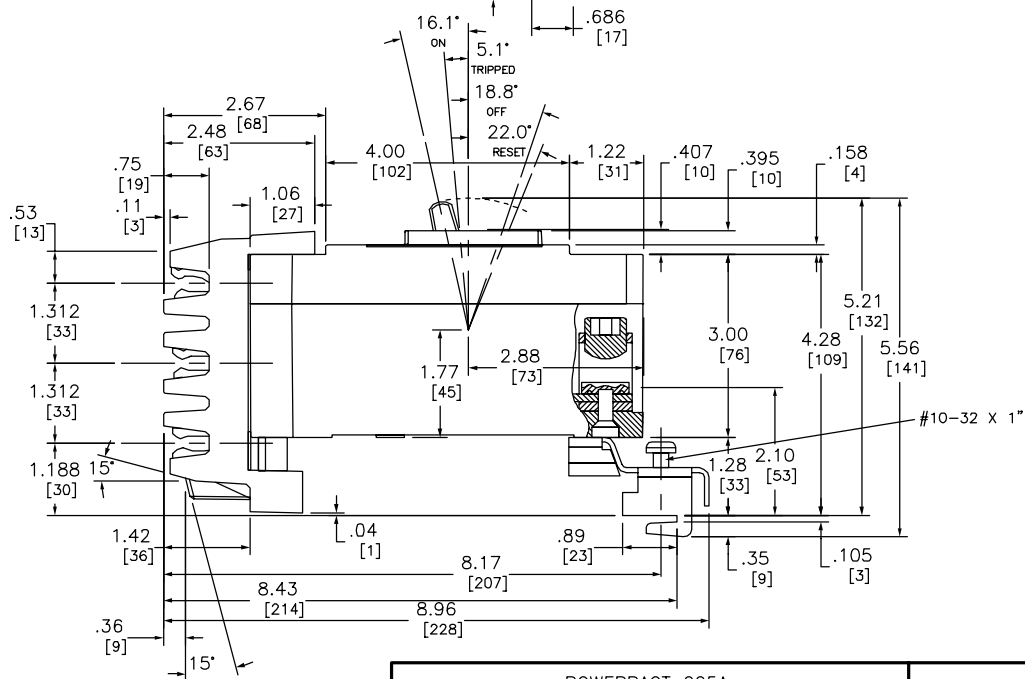


PHASE ABC
VIEW OF SHROUD FROM PANEL SIDE (SAME AS LINE END)
SHROUD AS SHOWN IS FOR 3 POLE LOAD END PHASE ABC.



CL OF A PHASE
CL OF B PHASE
CL OF C PHASE

PHASE CBA



DUAL DIMENSIONS: INCHES [MILLIMETERS]

POWERPACT 225A
Q-FRAME
I-LINE
3-POLE
MOLDED CASE CIRCUIT BREAKERS

SQUARE D
Schneider Electric

DWG# 48996-020-02
NO.