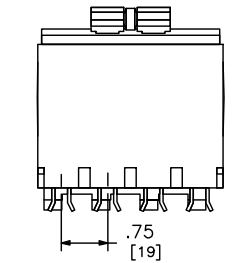
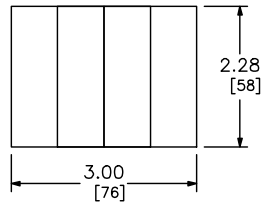
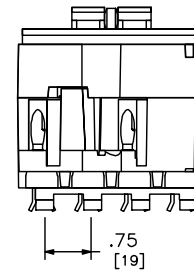
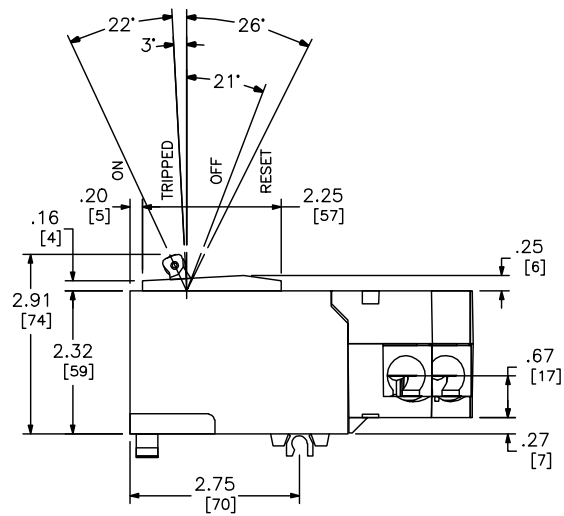
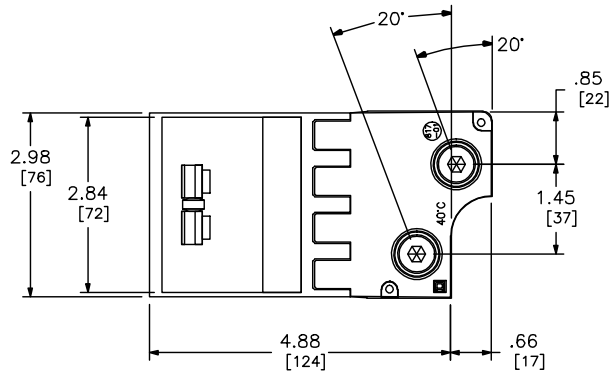


DEAD FRONT OPENING



LINE TERMINAL ACCEPTS  
.250 WIDE X .125 THICK STAB



NOTES:

1. WIRE SIZE: #4-300KCM CU7AL. 1/4 INCH INT. HEX WIRE BINDING SCREW.
2. HANDLE MARKED IN WHITE WITH BREAKER AMPERAGE.
3. SPECIAL HOLD DOWN BRACKET KIT USED TO RETAIN BREAKER WHEN USED FOR A BACK FED MAIN. KIT #PK5RK.
4. BREAKER AVAILABLE IN 150A, 175A, 200A AND 225A SUBFEED LUGS.

QO LUGPACK OUTLINE



DWG# 48118-835-01  
NO.