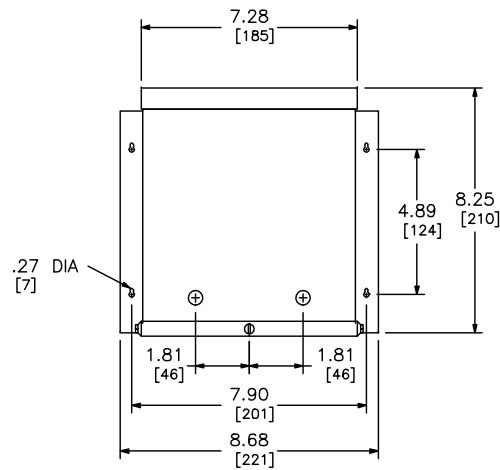
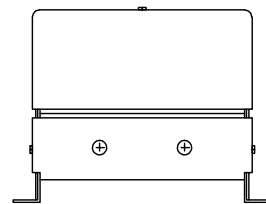


SIDE VIEW



FRONT VIEW

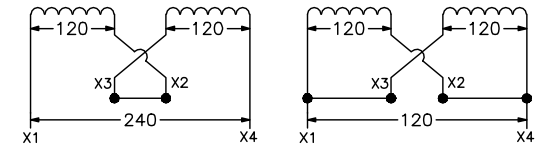
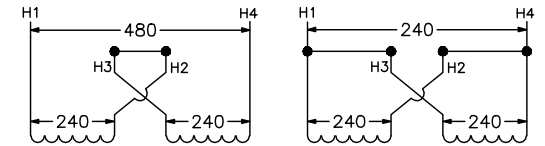


BOTTOM VIEW

.50 - .75  
[13] [19]  
KNOCKOUTS

.27 DIA  
[7]

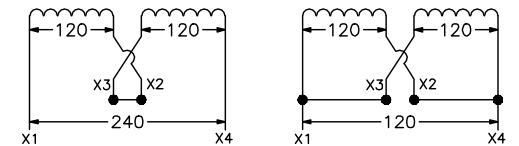
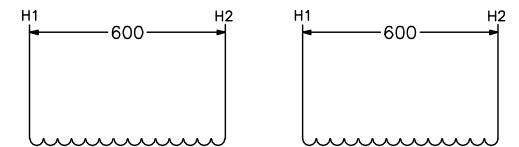
GENERAL-PURPOSE TRANSFORMER  
1.5 KVA 1 Ø 60HZ  
120/240V SECONDARY



SERIES CONNECTION

PARALLEL CONNECTION

240 X 480 VOLT PRIMARY



SERIES CONNECTION

PARALLEL CONNECTION

600 VOLT PRIMARY

DUAL DIMENSIONS: INCHES  
MILLIMETERS

SEISMIC QUALIFICATION:  
TO BE COMPLIANT WITH THE SEISMIC REQUIREMENTS OF  
ASCE/SEI7, THIS UNIT HAS BEEN QUALIFIED BY SHAKE  
TABLE TESTING THROUGH SELF CERTIFICATION TO ICC  
ES AC156. THE ENCLOSURE SHOWN ABOVE IS 8A. CONTACT  
YOUR LOCAL SCHNEIDER ELECTRIC/SQUARE D REPRESENTATIVE  
FOR RELATED QUESTIONS.

NOTES:  
UL / CUL LISTED  
NEMA 3R NON-VENTILATED ENCLOSURE  
COPPER WOUND  
185°C INSULATION SYSTEM FOR 115°C RISE  
EPOXY-RESIN ENCAPSULATED

KVA	CATALOG NUMBERS		TEMP. RISE	SOUND LEVEL	WGT LBS
	240 X 480 PRIMARY	600 PRIMARY			
1.5	1.5S1F	1.5S51F	115°C	40 DB	30.1

GENERAL-PURPOSE TRANSFORMER  
1.5 KVA 1PH 60HZ  
120/240V SECONDARY



DWG# 3580  
NO.