

**Models IAP10, IGP10, IAP20, IGP20, and IDP10
I/A Series[®] Electronic Absolute, Gauge, and Differential Pressure
Transmitters with Low Power, 1 to 5 V dc Analog Output**



The Foxboro[®] brand Models IAP10, IGP10, IAP20, IGP20, and IDP10 are low power, voltage output transmitters that provide precise, reliable measurement of gauge, absolute, and differential pressure, draw no more than 3 mA, and transmit a 1 to 5 V dc output signal.

LOW POWER DESIGN

When you need a low power, low voltage transmitter, these I/A Series Pressure Transmitters deliver:

- ▶ 1 to 5 V dc Output Signal
- ▶ 9 V dc Minimum Voltage
- ▶ 3 mA Maximum Current

CERTIFICATIONS

- ▶ Transmitters meet numerous Agency requirements for hazardous area locations. Versions available to meet Agency flameproof and zone requirements.
- ▶ Dual Seal certified to meet ANSI/ISA 12.27.01-2003 requirements.

EXTENSIVE LINE

Unsurpassed breadth of line for measurement types, materials, and process connections. Can also be provided with direct connect or capillary connected pressure seals, and industry specific seals for sanitary, and pulp and paper processes. The line also includes a selection of traditional or low profile differential pressure transmitters.

HIGH DEPENDABILITY

- ▶ Silicon strain gauge sensors successfully field-proven in hundreds of thousands of installations.
- ▶ Standard 5-year warranty.

INTELLIGENT TRANSMITTER FEATURES AT AN ECONOMICAL PRICE

When you want the flexibility and performance of a configurable, intelligent transmitter, but you don't need a digital output signal, these transmitters provide exceptional benefits at a very affordable price:

- ▶ Liquid Crystal Display (LCD) Digital Indicator with On-Board Pushbuttons
- ▶ Pushbutton Configuration and Calibration:
 - Zero and Span Settings
 - Adjustable Damping
 - Forward or Reverse Output
 - Failsafe Output; upscale or downscale
 - Reranging without applying pressure

GENERAL SPECIFICATIONS COMMON TO ALL TRANSMITTERS

I/A Series Pressure Transmitter Family

These transmitters are part of a complete family of d/p Cell[®], gauge, absolute, multirange, multivariable, and premium performance transmitters, as well as transmitters with remote or direct connect pressure seals, all using field-proven silicon strain gauge sensors and common topworks.

Select the electronics module you need to provide just the right level of intelligence for your application and budget. If your needs change, the modular design allows easy migration to other protocols – including FoxCom[™], HART, FOUNDATION fieldbus, and analog 4 to 20 mA versions.

High Performance

Microprocessor-based correction provides excellent accuracy and ambient temperature compensation.

Output Signal

1 to 5 V dc

Output Load

1 to 10 megohms

Supply Voltage and Current Requirements

SUPPLY VOLTAGE

9 to 15.5 V dc (Normal Operation)

SUPPLY CURRENT

3 mA

Supply Voltage Effect

The output changes less than 0.005% of calibrated span for each 1 V change within the specified supply voltage requirements.

Power-Up Time

Less than 5.0 seconds for output to reach first valid measurement.

Mounting Position

The transmitter may be mounted in any orientation.

Mounting Position Effect

Any zero effect caused by the mounting position can be eliminated by rezeroing. There is no span effect.

Field Wiring Reversal

Reversal of field wiring will not damage transmitter.

Suppressed Zero and Elevated Zero Ranges

These ranges are acceptable as long as Span and Range limits are not exceeded. Elevated zero applies to IGP20 and IDP10 Transmitters only.

Zero and Span Adjustments

Zero and span adjustments accomplished using the pushbuttons on the LCD Indicator. See Figure 3.

Adjustable Damping

Transmitter response time is normally 0.75 s, or the electronically adjustable setting of 0 (none), 2, 4, or 8 seconds, whichever is greater, for a 90% recovery from an 80% input step as defined in ANSI/ISA S51.1. (For 63.2% recovery, 0.50 s with sensors B to F, and 0.60 s for sensor A.)

Switching and Indirect Lightning Transients

Transmitter withstands transient surges to 2000 V common mode or 1000 V normal mode without permanent damage. Output shift is less than 1.0%. (Per ANSI/IEEE C62.41-1980 and IEC Std. 61000-4-5.)

European Union Directives

- ▶ Complies with Electromagnetic Compatibility Requirements of European EMC Directive 2004/108/EC by conforming to the following EN and IEC Standards: EN 61326-1, and IEC 61000-4-2 through 61000-4-6.
- ▶ Complies with NAMUR NE 21 Interference Immunity Requirement, and NAMUR NE 43 overrange and underrange annunciations.
- ▶ Conforms to Applicable European Union Directives ("CE" Logo marked on product).

RFI Effect

Output error is less than 0.1% of calibrated span for frequencies from 27 to 1000 MHz and field intensity of 30 V/m when transmitter is properly installed, shielded cable in conduit, grounding, and housing covers in place. (Per IEC Std. 61000-4-3.)

Electronics Module

Printed wiring assemblies are conformally coated for moisture and dust protection.

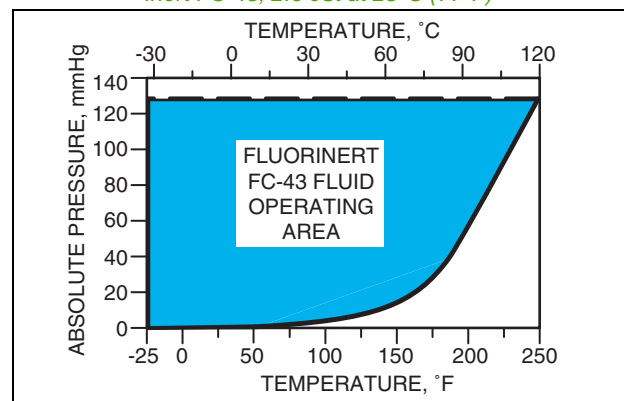
Minimum Allowable Absolute Pressure vs. Transmitter Temperature

WITH SILICONE FILL FLUID

Full vacuum: up to 121°C (250°F)

WITH INERT FILL FLUID (see Figure 1)

Figure 1. Minimum Allowable Absolute Pressure vs. Transmitter Temperature, Inert FC-43, 2.6 cSt at 25°C (77°F)



Ease of Installation

Rotatable Topworks allows transmitter installation in tight places, allows indicator to be positioned in preferred direction, and eases field retrofit.

Two Conduit Entrances offer a choice of entry positions for ease of installation and self-draining of condensation regardless of mounting position and topworks rotation.

Wiring Guides and Terminations provide ease of wire entry and support, plenty of space to work and store excess wire, and large, rugged screw terminals for easy wire termination.

Environmental Protection

The enclosure has the dusttight and weatherproof rating of IP66 as defined by IEC 60529, and provides the environmental and corrosion resistant protection rating of NEMA 4X.

Electronics Housing and Housing Covers

Housing has two compartments to separate the electronics from the field connections. The housing and covers are made from low copper (0.6% maximum) die-cast aluminum alloy with an epoxy finish, or from 316 ss. Buna-N O-ring seals are used to seal the threaded housing covers, housing neck, and terminal block.

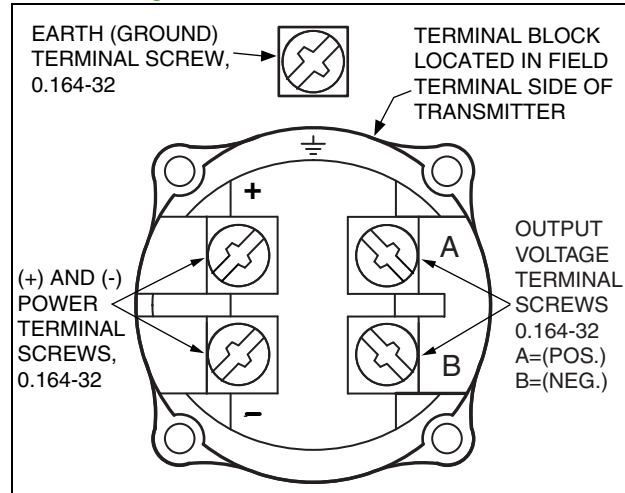
Electrical Terminations

Field wires enter through 1/2 NPT, PG 13.5, or M20 threaded entrances, as specified, on either side of the electronics housing. Wires terminate under screw terminals and washers on terminal block in the field terminal compartment as shown in Figure . Unused threaded field wire entrance is plugged to insure moisture and RFI/EMI protection.

Three- or Four-Wire Connections

Transmitter is supplied with a 4-wire terminal block, with the two negative terminals connected internally. This means that the transmitter can be wired with either three wires for wiring economy, or four wires for maximum accuracy. For relatively short wiring runs having low resistance, 3-wire connections can be used to minimize wiring costs. However, a voltage drop in the common lead carrying the power supply current will cause an error in the 1 to 5 V dc signal. For wiring runs with high resistance due to long lengths (or other reasons), or for maximum accuracy, a 4-wire connection may be used to provide input-output isolation. With 4-wire configurations, voltage drop in the power supply loop will have minimal effect on measurement.

Figure 2. Field Terminal Connections

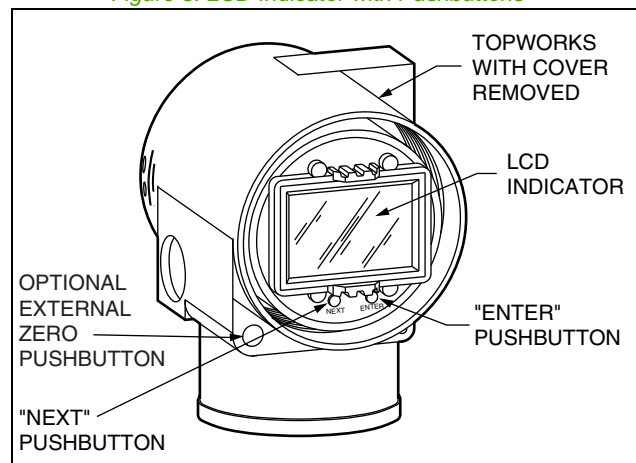


Standard Liquid Crystal Display (LCD) Indicator with On-Board Pushbuttons (Figure 3)

Indicator Provides:

- ▶ Two Lines; four numeric characters on top line; seven alphanumeric characters on bottom line.
- ▶ Measurement Readout; value on top line and units label on bottom line.
- ▶ Configuration and Calibration Prompts.

Figure 3. LCD Indicator with Pushbuttons



Configuration and Calibration Data, and Electronic Upgradeability

All factory characterization data, and user configuration and calibration data are stored in the sensor. This means that the electronics module may be replaced, with one of like type, without the need for reconfiguration or recalibration. Although module replacement can affect accuracy up to 0.20% of span, this error can be removed by an mA trim without application of pressure.

Changing module types (from one protocol to another) may require reconfiguration and recalibration, as well as a different terminal block, but all factory characterization data is retained.

Optional External Zero Adjustment

An external pushbutton (Figure 3) mechanism is isolated from the electronics compartment and magnetically activates an internal reed switch through the housing. This eliminates a potential leak path for moisture or contaminants to get into the electronics compartment. This zero adjustment can be disabled by a configuration selection.

Optional Transmitter Mounting Bracket Sets

Numerous mounting bracket set options are offered to accommodate almost any mounting configuration required. See "DIMENSIONS - NOMINAL" on page 36.

Optional Custom Configuration (Option -C2)

For the transmitter to be custom configured by the factory, the user must fill out a data form. If this option is not selected, a standard default configuration will be provided; for example:

Parameter	Standard (Default) Configuration	Example of Custom Configuration Option -C2
Calibrated Range • Pressure Units • LRV • URV	per S.O. (a) per S.O. per S.O.	bar 0 5
Output Direction	Forward	Reverse
Electronic Damping	None	2.0 s
Failsafe Direction	Upscale	Downscale
Ext. Zero Option	Enabled	Disabled
Label (2nd Line)	(b)	bar (c)
Display LRV & URV ▶ LRV ▶ URV	(d) (d)	0 (e) 5 (e)

- Select from list in Table 1.
- Same as pressure units selected for calibrated range.
- Same as pressure units selected for calibrated range, or percent. If square root mode (for IDP10), custom flow rate units (up to 7 alphanumeric characters) may be specified.
- Same as calibrated range.
- Same as calibrated range or 0 to 100 for percent. If square root mode (for IDP10), URV may be maximum flow rate value (up to 9999).

Table 1.
Allowable Pressure Units for Calibrated Range (a)

inH ₂ O	inHg	kPa	mbar	kg/cm ²
ftH ₂ O	mmHg	MPa	bar	psi
mmH ₂ O	Pa	torr	g/cm ²	atm

- Absolute or gauge pressure units, as applicable.

Pressure Seals

Pressure seals are used with the I/A Series Transmitters when it is necessary to keep the transmitter isolated from the process. A sealed system is used for a process fluid that may be corrosive, viscous, subject to temperature extremes, toxic, sanitary, or tend to collect and solidify.

Table 2 and Table 3 lists the various pressure seals that can be used with these transmitters. To order a transmitter with seals, both a Transmitter Model Number and Seal Model Number are required. See PSS 2A-1Z11 A for a complete listing of pressure seal models and specifications. Also see Figure 4 for typical transmitter/pressure seal configurations.

Table 2. Pressure Seals Used with I/A Series Pressure Transmitters

Direct Connect Pressure Seal Assemblies		
Seal Model	Seal Description	Process Connections
PSFLT	Flanged, Direct Connect (Flanged Level), Flush or Extended Diaphragm	ANSI Class 150/300/600 flanges and BS/DIN PN 10/40, 10/16, 25/40 flanges
PSFAD	Flanged, Direct Connect, Recessed Diaphragm	ANSI Class 150, 300, 600, 1500 flanges
PSTAD	Threaded, Direct Connect, Recessed Diaphragm	1/4, 1/2, 3/4, 1, or 1 1/2 NPT internal thread
PSISD	In-Line Saddle Weld, Direct Connect, Recessed Diaphragm	Lower housing of seal is in-line saddle welded to nominal 3- or 4-inch (and larger) Pipe
PSSCT	Sanitary, Direct Connect (Level Seal), Flush Diaphragm	Process Connection to Sanitary Piping with 2- or 3-inch Tri-Clamp
PSSST	Sanitary, Direct Connect (Level Seal), Extended Diaphragm	Process Connection to 2-in Mini Spud or 4-in Standard Spud; Tri-Clamp
Remote Mount, Capillary-Connected Pressure Seal Assemblies		
Seal Model	Seal Description	Process Connections
PSFPS	Flanged, Remote Mount, Flush Diaphragm	ANSI Class 150/300/600 flanges and BS/DIN PN 10/40 flanges
PSFES	Flanged, Remote Mount, Extended Diaphragm	ANSI Class 150/300/600 flanges and BS/DIN PN 10/40, 10/16, 25/40 flanges
PSFAR	Flanged, Remote Mount, Recessed Diaphragm	ANSI Class 150/300/600/1500 flanges
PSTAR	Threaded, Remote Mount, Recessed Diaphragm	1/4, 1/2, 3/4, 1, or 1 1/2 NPT internal thread
PSISR	In-Line Saddle Weld, Remote Mount, Recessed Diaphragm	Lower housing of seal is in-line saddle welded to nominal 3- or 4-inch (and larger) Pipe
PSSCR	Sanitary, Remote Mount, Flush Diaphragm	Process Connection secured with a Tri-Clamp to a 2- or 3-inch pipe
PSSSR	Sanitary, Remote Mount, Extended Diaphragm	Process Connection to 2-in Mini Spud or 4-in Standard Spud; Tri-Clamp
PSFFR	Flanged, Remote Mount, Flush Diaphragm	ANSI Class 150/300/600 flanges and DIN/BS PN 10/40

Table 3. I/A Series Pressure Transmitters and Applicable Pressure Seals

Transmitter Model	Used with Pressure Seal Model: (a)													
	FLT	FAD	TAD	ISD	SCT	SST	FPS	FES	FAR	TAR	ISR	SCR	SSR	FFR
IAP10	-	✓	✓	✓	-	-	✓	✓	✓	✓	✓	✓	✓	✓
IGP10	-	✓	✓	✓	-	-	✓	✓	✓	✓	✓	✓	✓	✓
IAP20	-	-	-	-	-	-	✓	✓	✓	✓	✓	✓	✓	✓
IGP20	✓	-	-	-	✓	✓	✓	✓	✓	✓	✓	✓	✓	✓
IDP10 (b)	✓	-	-	✓	✓	✓	✓	✓	✓	✓	✓	✓	✓	✓

- a. Pressure Seal models are shown with an abbreviated code; all seal codes have a PS prefix; for example, FLT is really PSFLT.
 b. Pressure seals are used with IDP10 Transmitters having a traditional structure only.

Figure 4. Transmitter with Typical Pressure Seal Configurations



OPERATING, STORAGE, AND TRANSPORTATION CONDITIONS

Influence	Reference Operating Conditions	Normal Operating Conditions (a)	Operative Limits (a)	Storage and Transportation Limits
Process Connection Temp. ▶ with Silicone Fill Fluid ▶ with Inert Fill Fluid	▶ 24 ± 2°C (75 ± 3°F) ▶ 24 ± 2°C (75 ± 3°F)	▶ -29 to + 82°C (-20 to +180°F) ▶ -29 to + 82°C (-20 to +180°F)	▶ -46 and +121°C (b) (-50 and +250°F) (b) ▶ -29 and +121°C (-20 and +250°F)	▶ Not Applicable ▶ Not Applicable
Electronics Temperature ▶ with LCD Indicator (c)	▶ 24 ± 2°C (75 ± 3°F) ▶ 24 ± 2°C (75 ± 3°F)	▶ -29 to + 82°C (d) (-20 to +180°F) (d) ▶ -20 to + 82°C (d) (-4 to +180°F) (d)	▶ -40 and +85°C (d) (-40 and +185°F) (d) ▶ -29 and +85°C (d) (-20 and +185°F) (d)	▶ -54 and +85°C (-65 and +185°F) ▶ -54 and +85°C (-65 and +185°F)
Relative Humidity (e)	50 ± 10%	0 to 100%	0 and 100%	0 and 100% Noncondensing
Supply Voltage	30 ± 0.5 V dc	9 to 15.5 V dc	9 to 30 V dc	Not Applicable
Output Load	10 M Ω	1 to 10 M Ω	100 K Ω to open circuit/ 0.2 μF maximum	Not Applicable
Vibration	1 m/s ² (0.1 "g")	6.3 mm (0.25 in) Double Amplitude: from 5 to 15 Hz with Aluminum Housing and from 5 to 9 Hz with 316 ss Housing ----- 0 to 30 m/s ² (0 to 3 "g") from 15 to 500 Hz with Aluminum Housing; and 0 to 10 m/s ² (0 to 1 "g") from 9 to 500 Hz with 316 ss Housing	11 m/s ² (1.1 "g") from 2.5 to 5 Hz (in Shipping Package)	
Mounting Position	Upright (f)	Upright (f)	No Limit	Not Applicable

- a. Temperature limits are derated as follows:
IAP20 and IGP20 Transmitters:
to -7 and +82°C (20 and 180°F) when Structure Codes 78/79 (PVDF inserts) are used, and
to 0 and 60°C (32 and 140°F) when DIN Construction Options D2/D4/D6/D8 are used.
- b. Selection of Option -J extends the low temperature limit of transmitters with silicone filled sensors down to -50°C (-58°F).
- c. Although the LCD will not be damaged at any temperature within the "Storage and Transportation Limits," updates will be slowed and readability decreased at temperatures outside the "Normal Operating Conditions".
- d. Refer to the Electrical Safety Specifications section for a restriction in ambient temperature with certain electrical certifications.
- e. With topworks covers on and conduit entrances sealed.
- f. Sensor process wetted diaphragms in a vertical plane for IAP20 and IGP20 Transmitter.

ELECTRICAL SPECIFICATIONS

IAP10 and IGP10 Transmitters

Testing Laboratory, Types of Protection, and Area Classification	Application Conditions	Electrical Safety Design Code
ATEX flameproof; II 2 GD, EEx d IIC, Zone 1.	Temperature Class T6, T85°C, Ta = -40°C to +75°C.	D
CSA intrinsically safe for Class I, Division 1, Groups A, B, C, and D; Class II, Division 1, Groups E, F, and G; Class III, Division 1. Also zone certified intrinsically safe Ex ia IIC, and energy limited Ex nA II.	Temperature Class T6 at 40°C, and T4A at 85°C maximum ambient. Temperature Class T4 at 40°C, and T3 at 85°C maximum ambient.	C
CSA explosionproof for Class I, Division 1, Groups B, C, and D; and dust-ignitionproof for Class II, Division 1, Groups E, F, and G; and Class III, Division 1.	Maximum Ambient Temperature 85°C.	C
CSA Class I, Division 2, Groups A, B, C, and D; Class II, Division 2, Groups F and G; and Class III, Division 2.	Temperature Class T6 at 40°C and T4A at 85°C maximum ambient.	C
CSA field device zone certified flameproof Ex d IIC. Also, all certifications of Code C above.	Maximum Ambient Temperature 85°C.	B
FM intrinsically safe for Class I, Division 1, Groups A, B, C, and D; Class II, Division 1, Groups E, F, and G; Class III, Division 1. Also zone approved intrinsically safe AEx ia IIC.	Temperature Class T4A at 40°C and T4 at 85°C maximum ambient. Temperature Class T4 at 85°C maximum ambient.	F
FM explosionproof for Class I, Division 1, Groups B, C, and D; and dust-ignitionproof for Class II, Division 1, Groups E, F, and G; and Class III, Division 1.	Temperature Class T6 at 80°C and T5 at 85°C maximum ambient.	F
FM nonincendive Class I, Division 2, Groups A, B, C, and D; Class II, Division 2, Groups F and G, and Class III, Division 2.	Temperature Class T4A at 40°C and T4 at 85°C maximum ambient.	F
FM field device zone certified flameproof AEx d IIC. Also, all certifications of Code F above.	Temperature Class T6 at 75°C maximum ambient.	G
IECEx flameproof, Ex d IIC, Zone 1.	Temperature Class T6, Ta = -40°C to +75°C.	V

NOTES

- 1 Transmitter has been designed to meet the electrical safety descriptions listed. Contact Global Customer Support (see back page) for information or status of testing laboratory approvals or certifications.
- 2 See Model Code for availability of Electrical Safety Design Codes with particular Transmitter Structure Codes.
- 3 Refer to applicable instruction manual for application conditions and connectivity requirements.

IAP20 and IGP20 Transmitters

Testing Laboratory, Types of Protection, and Area Classification	Application Conditions	Electrical Safety Design Code
ATEX flameproof; II 2 GD, EEx d IIC, Zone 1.	Temperature Class T6, T85°C, Ta = -40°C to +80°C.	D
<p>CSA intrinsically safe for Class I, Division 1, Groups A, B, C, and D; Class II, Division 1, Groups E, F, and G; Class III, Division 1.</p> <p>Also zone certified intrinsically safe Ex ia IIC, and energy limited Ex nA II.</p>	<p>Temperature Class T6 at 40°C and T4A at 85°C maximum ambient.</p> <p>Temperature Class T4 at 40°C and T3 at 85°C maximum ambient.</p>	C
CSA explosionproof for Class I, Division 1, Groups B, C, and D; and dust-ignitionproof for Class II, Division 1, Groups E, F, and G; and Class III, Division 1.	Maximum Ambient Temperature 85°C.	C
CSA Class I, Division 2, Groups A, B, C, and D; Class II, Division 2, Groups F and G; and Class III, Division 2.	Temperature Class T6 at 40°C and T4A at 85°C maximum ambient.	C
CSA field device zone certified flameproof Ex d IIC. Also, all certifications of Code C above.	Maximum Ambient Temperature 85°C.	B
<p>FM intrinsically safe for Class I, Division 1, Groups A, B, C, and D; Class II, Division 1, Groups E, F, and G; Class III, Division 1.</p> <p>Also zone approved intrinsically safe AEx ia IIC.</p>	<p>Temperature Class T4A at 40°C and T4 at 85°C maximum ambient.</p> <p>Temperature Class T4 at 85°C maximum ambient.</p>	F
FM explosionproof for Class I, Division 1, Groups B, C, and D; and dust-ignitionproof for Class II, Division 1, Groups E, F, and G; and Class III, Division 1.	Temperature Class T6 at 80°C and T5 at 85°C maximum ambient.	F
FM nonincendive Class I, Division 2, Groups A, B, C, and D; Class II, Division 2, Groups F and G; and Class III, Division 2.	Temperature Class T4A at 40°C and T4 at 85°C maximum ambient.	F
FM field device zone certified flameproof AEx d IIC. Also, all certifications of Code F above.	Temperature Class T6 at 80°C and T5 at 85°C maximum ambient.	G
IECEx flameproof, Ex d IIC.	T6, Ta = 80°C; T5, Ta = 85°C Ambient Temperature -20°C to +85°C.	V

NOTES

- 1 Transmitter has been designed to meet the electrical safety descriptions listed. Contact Global Customer Support (see back page) for information or status of testing laboratory approvals or certifications.
- 2 See Model Code for availability of Electrical Safety Design Codes with particular Transmitter Structure Codes.
- 3 Refer to applicable instruction manual for application conditions and connectivity requirements.

IDP10 Transmitters

Testing Laboratory, Types of Protection, and Area Classification	Application Conditions	Electrical Safety Design Code
ATEX flameproof; II 2 GD, EEx d IIC, Zone 1.	Temperature Class T6, T85°C, Ta = -40°C to +80°C.	D
CSA intrinsically safe for Class I, Division 1, Groups A, B, C, and D; Class II, Division 1, Groups E, F, and G; Class III, Division 1. Also zone certified intrinsically safe Ex ia IIC, and energy limited Ex nA II.	Temperature Class T6 at 40°C and T4A at 85°C maximum ambient. Temperature Class T4 at 40°C and T3 at 85°C maximum ambient.	C
CSA explosionproof for Class I, Division 1, Groups B, C, and D; and dust-ignitionproof for Class II, Division 1, Groups E, F, and G; and Class III, Division 1.	Maximum Ambient Temperature 85°C.	C
CSA Class I, Division 2, Groups A, B, C, and D; Class II, Division 2, Groups F and G; and Class III, Division 2.	Temperature Class T6 at 40°C and T4A at 85°C maximum ambient.	C
CSA field device zone certified flameproof Ex d IIC. Also, all certifications of Code C above.	Maximum Ambient Temperature 85°C.	B
FM intrinsically safe for Class I, Division 1, Groups A, B, C, and D; Class II, Division 1, Groups E, F, and G; Class III, Division 1. Also zone approved intrinsically safe AEx ia IIC.	Temperature Class T4A at 40°C and T4 at 85°C maximum ambient. Temperature Class T4 at 85°C maximum ambient.	F
FM explosionproof for Class I, Division 1, Groups B, C, and D; and dust-ignitionproof for Class II, Division 1, Groups E, F, and G; and Class III, Division 1.	Temperature Class T6 at 80°C and T5 at 85°C maximum ambient.	F
FM nonincendive Class I, Division 2, Groups A, B, C, and D; Class II, Division 2, Groups F and G; and Class III, Division 2.	Temperature Class T4A at 40°C and T4 at 85°C maximum ambient.	F
FM field device zone certified flameproof AEx d IIC. Also, all certifications of Code F above.	Temperature Class T6 at 80°C and T5 at 85°C maximum ambient.	G
IECEx flameproof, Ex d IIC.	T6, Ta = 80°C; T5, Ta = 85°C Ambient Temperature -20°C to +85°C.	V

NOTES

- 1 Transmitter has been designed to meet the electrical safety descriptions listed. Contact Global Customer Support (see back page) for information or status of testing laboratory approvals or certifications.
- 2 See Model Code for availability of Electrical Safety Design Codes with particular Transmitter Structure Codes.
- 3 Refer to applicable instruction manual for application conditions and connectivity requirements.

IAP10 AND IGP10 DIRECT-CONNECTED TRANSMITTERS — (FIGURE 5)

Exceptional Value

The combination of small size, light weight, direct mounting, standard materials, and wide measurement capability with high performance make this an exceptionally cost effective solution for process pressure measurement.

Direct Process Mounting

Because of their light weight and external threaded connection, these transmitters can be installed directly on process piping without mounting brackets. However, for unique requirements, an optional bracket is offered and connection can be made to the standard 1/4 NPT internal thread.

Wide Rangeability

Three absolute pressure versions are offered to allow spans from 7 to 21 000 kPa (1 to 3000 psi), and four gauge pressure versions are offered to allow spans from 7 to 42 000 kPa (1 to 6000 psi). Refer to IGP20 Transmitter for gauge pressure vacuum service.

316L ss, Nickel alloy, and Co-Ni-Cr Process Wetted Parts

With process connection of 316L ss or Nickel alloy⁽¹⁾, and sensor diaphragm available in either 316L ss, Nickel alloy, or highly corrosion resistant Co-Ni-Cr, this transmitter is an excellent choice for the vast majority of process pressure measurements.

Span and Range Limits for IAP10 and IGP10 Transmitters

Span Limit Code	Span Limits			Range Limits (Absolute or Gauge Units)		
	MPa	psi	bar	MPa	psi	bar
C	0.007 and 0.21	1 and 30	0.07 and 2.1	0 and 0.21	0 and 30	0 and 2.1
D	0.07 and 2.1	10 and 300	0.7 and 21	0 and 2.1	0 and 300	0 and 21
E	0.7 and 21	100 and 3000	7 and 210	0 and 21	0 and 3000	0 and 210
F (a)	14 and 42	2000 and 6000	140 and 420	0 and 42	0 and 6000	0 and 420

a. Span Limit Code F is applicable to IGP10 Transmitter only. Also not available if pressure seals are selected.

Figure 5. Direct-Connected Transmitter (Flameproof Version Shown on Left)



High Gauge Pressure Versions

Three high gauge pressure versions with upper range limits of 52, 105, and 210 MPa (7500, 15 000, and 30 000 psi) are available in the IGP10 line. Refer to PSS 2A-1C13 F for detailed specifications.

Sanitary and Pulp and Paper Versions

These transmitters are also available with integral process connections for use in sanitary and pulp and paper installations. See PSS 2A-1C13 K and PSS 2A-1C13 L, respectively.

Flameproof Design

The IAP10 and IGP10 flameproof versions are designed to meet Agency flameproof and zone requirements.

1. Equivalent to Hastelloy®. Hastelloy is a registered trademark of Haynes International, Inc.

Maximum Overrange and Proof Pressure Ratings for IAP10 and IGP10 Transmitters

Span Limit Code	Maximum Overrange Pressure Rating (a)			Proof Pressure Rating (a) (b)		
	MPa	psi	bar	MPa	psi	bar
C	0.31	45	3.15	0.827	120	8.27
D	3.1	450	31.5	8.27	1200	82.7
E	31	4500	315	79.3	11500	793
F (c)	58	8400	580	152	22000	1517

- a. Values listed are in absolute or gauge pressure units, as applicable. Maximum overrange pressure is the maximum pressure that may be applied without causing damage to the transmitter.
- b. Proof pressure ratings meet ANSI/ISA Standard S82.03-1988. Unit may become nonfunctional after application of proof pressure.
- c. Span Limit Code F is applicable to IGP10 Transmitter only. Also not available if pressure seals are selected.

Accuracy (Includes Linearity, Hysteresis, and Repeatability)

If Span is:	Accuracy in % of Span is:
≥ 6.7% of URL	±0.1%
< 6.7% of URL	$\pm \left[(0.10) + (0.0067) \left(\frac{\text{URL}}{\text{Span}} \right) \right]$

NOTE

Accuracy is at Reference Operating Conditions; Zero-based Calibrations; Co-Ni-Cr or 316L ss sensor with silicone fluid; URL = upper range limit; and span = calibrated span.

Stability

Long term drift is less than ±0.05% of URL per year over a 5-year period.

Calibration Frequency

The calibration frequency is five years. The five years is derived using the values of allowable error (% span), TPE (% span), performance margin (% span), and stability (% span/month); where:

$$\text{Calibration Frequency} = \frac{\text{Performance Margin}}{\text{Stability}} = \text{Months}$$

Ambient Temperature Effect

Total effect for a 28°C (50°F) change within Normal Operating Condition limits is:

Span Code	Ambient Temperature Effect
C, D, E, and F (a)	±(0.08% URL + 0.05% Span)

- a. Span Code F applicable to IGP10 only.

NOTE

For additional ambient temperature effect when pressure seals are used, see PSS 2A-1Z11 A.

Vibration Effect

Total effect is ±0.2% of URL per “g” for vibrations in the frequency range of 5 to 500 Hz; with double amplitudes of 6.3 mm (0.25 in) in the range of 5 to 15 Hz, or accelerations of 3 “g” in the range of 15 to 500 Hz, whichever is smaller, for transmitters with aluminum housings; and with double amplitudes of 6.3 mm (0.25 in) in the range of 5 to 9 Hz, or accelerations of 1 “g” in the range of 9 to 500 Hz, whichever is smaller, for transmitters with 316 ss housings.

Process Wetted Materials

PROCESS CONNECTION

316L ss or Nickel alloy

SENSOR DIAPHRAGM

316L ss, Nickel alloy, or Co-Ni-C

Pressure Seal Diaphragm Material

Varies with pressure seal selected.
See PSS 2A-1Z11 A.

**Reference (Atmospheric Pressure) Side
Materials**

IAP10

Not applicable

IGP10 WITH SPAN CODES C AND D

Silicon, Pyrex, RTV, and 316 ss

IGP10 WITH SPAN CODES E AND F

Not applicable

Fill Fluid

Silicone Oil or Inert FC43, as specified.

Dimensions

Refer to “DIMENSIONS - NOMINAL” on page 36
and to Dimensional Print DP 020-447.

Approximate Mass

With Aluminum Housing: 1.5 kg (3.3 lb)

With 316 ss Housing: Add 1.1 kg (2.4 lb)

With Pressure Seals: See PSS 2A-1Z11 A

Accessories

IAP10 and IGP10 Transmitters can be provided with integral connections for both sanitary, and pulp and paper processes. With these applications, numerous accessories are offered, including tank spuds, weld spuds, heat sinks/plugs, calibration adapters, Tri-clamps, and O-rings (or gaskets). Refer to PSS 2A-1C13 K (Sanitary Processes) and PSS 2A-1C13 L (Pulp and Paper Processes) for complete specifications.

MODEL CODE: IAP10 AND IGP10 TRANSMITTERS

Description	Model
I/A Series, Electronic, Direct Connected Absolute Pressure Transmitter	IAP10 (a)
I/A Series, Electronic, Direct Connected Gauge Pressure Transmitter	IGP10 (a)
Electronics Versions and Output Signal	
Electronic, Low Power, 1 to 5 V dc Analog Output (Version -V)	-V
Structure Code - Select from one of the following six groups:	
1. Transmitter Only (no seals)	
Process	Sensor
<u>Connection</u>	<u>Sensor</u>
316L ss	Co-Ni-Cr
316L ss	Co-Ni-Cr
316L ss	316L ss
316L ss	316L ss
316L ss	Nickel alloy
316L ss	Nickel alloy
Sensor	Fill Fluid
316L ss	Silicone
316L ss	Inert
316L ss	Silicone
316L ss	Inert
316L ss	Silicone
316L ss	Inert
<u>Connection Type</u>	
1/2 NPT External Thread, 1/4 NPT Internal Thread	20
1/2 NPT External Thread, 1/4 NPT Internal Thread	21
1/2 NPT External Thread, 1/4 NPT Internal Thread	22
1/2 NPT External Thread, 1/4 NPT Internal Thread	23
1/2 NPT External Thread, 1/4 NPT Internal Thread	30
1/2 NPT External Thread, 1/4 NPT Internal Thread	31
2. Transmitter Prepared for Foxboro Model Coded Seals (b)	
Transmitter Prepared for Foxboro Direct Connect Seal; Silicone Fill in Sensor (c)	D1
Transmitter Prepared for Foxboro Direct Connect Seal; Inert Fill in Sensor (IGP10 only) (c)	D2
Transmitter Prepared for Foxboro Remote Mount Seal; Silicone Fill in Sensor (d)	S3
Transmitter Prepared for Foxboro Remote Mount Seal; Inert Fill in Sensor (IGP10 only) (d)	S4
3. Transmitters Prepared for non-Foxboro Seals	
Transmitter Prepared for Remote Seal; Silicone Fill in Sensor (e)	SC
Transmitter Prepared for Remote Seal; Inert Fill in Sensor (f)	SD
4. Flameproof Transmitter Only (no seals)	
Process	Sensor
<u>Connection</u>	<u>Sensor</u>
316L ss	316L ss
316L ss	316L ss
316L ss	Nickel alloy
316L ss	Nickel alloy
Nickel alloy	Nickel alloy
Nickel alloy	Nickel alloy
Sensor	Fill Fluid
316L ss	Silicone
316L ss	Inert
316L ss	Silicone
316L ss	Inert
Nickel alloy	Silicone
Nickel alloy	Inert
<u>Connection Type</u>	
1/2 NPT External Thread, 1/4 NPT Internal Thread	52
1/2 NPT External Thread, 1/4 NPT Internal Thread	53
1/2 NPT External Thread, 1/4 NPT Internal Thread	60
1/2 NPT External Thread, 1/4 NPT Internal Thread	61
1/2 NPT External Thread, 1/4 NPT Internal Thread	62
1/2 NPT External Thread, 1/4 NPT Internal Thread	63
5. Flameproof Transmitter Prepared for Foxboro Model Coded Seals (b)	
Flameproof Transmitter Prepared for Direct Connect Seal; Silicone Fill in Sensor (c)	D5
Flameproof Transmitter Prepared for Direct Connect Seal; Inert Fill in Sensor (IGP10 only) (c)	D6
Flameproof Transmitter Prepared for Remote Mount Seal; Silicone Fill in Sensor (d)	S5
Flameproof Transmitter Prepared for Remote Mount Seal; Inert Fill in Sensor (IGP10 only) (d)	S6
6. Flameproof Transmitter Prepared for non-Foxboro Seals	
Flameproof Transmitter Prepared for Remote Seal; Silicone Fill in Sensor (e)	SH
Flameproof Transmitter Prepared for Remote Seal; Inert Fill in Sensor (f)	SJ
Span Limits - Absolute or Gauge Pressure Units, as Applicable	
MPa	psi
0.007 and 0.21	1 and 30
0.07 and 2.1	10 and 300
0.7 and 21	100 and 3000
14 and 42	2000 and 6000
bar	
0.07 and 2.1	0.07 and 2.1
0.7 and 21	0.7 and 21
7 and 210	7 and 210
140 and 420 (IGP10 only)	140 and 420 (IGP10 only)
C	
D	
E	
F	

MODEL CODE: IAP10 AND IGP10 TRANSMITTERS

Description	Model
Conduit Connection and Housing Material	
1/2 NPT Conduit Connection, Aluminum Housing	1
PG 13.5 Conduit Connection, Aluminum Housing (With Electrical Safety Code D only)	2
1/2 NPT Conduit Connection, 316 ss Housing	3
PG 13.5 Conduit Connection, 316 ss Housing (With Electrical Safety Code D only)	4
M20 Conduit Connection, Both Sides, Aluminum Housing (with Electrical Safety Code D only)	5
M20 Conduit Connection, Both Sides, 316 ss Housing (with Electrical Safety Code D only)	6
Electrical Safety (See Electrical Safety Specifications Section for Description and Approval Status)	
Electrical Safety (See Electrical Safety Specifications Section)	
ATEX flameproof; II 2 GD, EEx d IIC, Zone 1 (g) (h)	D
CSA Certifications: (i)	C
Division, 1 intrinsically safe, explosionproof, dust-ignitionproof	
Zone certified Ex ia IIC, and energy limited Ex nA II	
Division 2, Classes I, II, and III	
CSA zone certified flameproof Ex d IIC. Also all certifications of Code C above. (g) (h)	B
FM Approvals: (i)	F
Division 1, intrinsically safe, explosionproof, dust-ignitionproof	
Zone approved AEx ia IIC	
Division 2, nonincendive, Classes I, II, and III	
FM zone approved flameproof AEx d IIC. Also all approvals of Code F above. (g) (h)	G
IECEx flameproof, Ex d IIC, Zone 1 (g) (h)	V
Optional Selections See descriptions below.	
Mounting Bracket Set (j)	
Painted Steel Bracket with Plated Steel Bolts, 1/2 NPT (with Conduit Connection Codes 1 and 3 only)	-M1
Stainless Steel Bracket with Stainless Steel Bolts, 1/2 NPT (with Conduit Connection Codes 1 and 3 only)	-M2
Painted Steel Bracket with Plated Steel Bolts, PG 13.5 (with Conduit Connection Codes 2 and 4 only)	-M3
Stainless Steel Bracket with Stainless Steel Bolts, PG 13.5 (with Conduit Connection Codes 2 and 4 only)	-M4
Painted Steel Bracket with Plated Steel Bolts, M20 (with Conduit Connection Codes 5 and 6 only)	-M5
Stainless Steel Bracket with Stainless Steel Bolts, M20 (with Conduit Connection Codes 5 and 6 only)	-M6
Blind (Solid) Cover over Standard LCD Indicator	
Blind (Solid) Cover replaces Window Cover	-L2
Vent Screw and Block & Bleed Valve	
316 ss Vent Screw in Process Connection (Not with Structure Codes 32 or 33, or Pressure Seals)	-V1
Block and Bleed Valve, Carbon Steel (Not with Pressure Seals)	-V2
Block and Bleed Valve, 316 ss (Not with Pressure Seals)	-V3
Block and Bleed Valve, 316 ss w/Monel Trim (Not with Pressure Seals)	-V4
Conduit Thread Adapters	
Hawke-Type 1/2 NPT Cable Gland for use with Conduit Connection Codes 1 and 3 only (k)	-A1
M20 Connector for use with Conduit Connection Codes 1 and 3 only (k)	-A3
Electronic Housing Features	
External Zero Adjustment	-Z1
Custody Transfer Lock and Seal	-Z2
External Zero Adjustment and Custody Transfer Lock and Seal	-Z3
Custom Factory Configuration	
Full Factory Configuration (Requires Configuration Form to be filled out)	-C2

MODEL CODE: IAP10 AND IGP10 TRANSMITTERS

Description	Model
Cleaning and Preparation	
Unit Degreased - for Silicone Filled Sensors Only	-X1
Not for Oxygen/Chlorine Service, Option -V1, or Pressure Seals	
Cleaned and Prepared for Oxygen Service - for Inert Filled Sensors Only	-X2
Not with Option -V1, or Pressure Seals	
Cleaned and Prepared for Chlorine Service - with Structure Code 33 Only	-X3
Not with Option -V1, or Pressure Seals	
Instruction Books (Common MI, Brochure, and Full Documentation Set on DVD in Standard	
Without Instruction Book and DVD - Only "Getting Started" Brochure is supplied	-K1
Miscellaneous Optional Selections	
G 1/2 B Manometer Process Connection (Not Available with Option -V1 or Pressure Seals)	-G
Low Temperature Operative Limit of Electronics Housing Extended Down to -50°C (-58°F) (I)	-J
R 1/2 Process Connection (1/2 NPT to R 1/2 Adapter) (m)	-R
Supplemental Customer Tag (Stainless Steel Tag wired onto Transmitter)	-T

- a. Refer to PSS 2A-1C13 F for very high GP versions with upper range limits of 52, 105, and 210 MPa (7500, 15000, and 30000 psi). Refer to PSS 2A-1C13 K and PSS 2A-1C13 L for AP and GP versions for sanitary and pulp/paper industries.
- b. Both transmitter and pressure seal Model Numbers are required. Refer to PSS 2A-1Z11 A for pressure seal Model Codes.
- c. Direct Connect Seal Models that may be specified are PSTAD, PSFAD, and PSISD.
- d. Remote Mount Seal Models that may be specified are PSFPS, PSFES, PSFAR, PSTAR, PSISR, PSSCR, and PSSSR.
- e. For transmitters with Silicone fill prepared for remote seal by others, specify Structure Code 22 or 52.
- f. For transmitters with Inert fill prepared for remote seal by others, specify Structure Code 23 or 53.
- g. Electrical Safety Codes B, D, G, and V are only available with flameproof transmitter Structure Codes 52, 53, 60-63, D5, D6, S5, S6, SH, and SJ.
- h. A cover lock is provided as standard with Electrical Safety Codes D, B, G, and V.
- i. Electrical Safety Codes C and F are not available with flameproof transmitter Structure Codes 52, 53, 60-63, D5, D6, S5, S6, SH, and SJ.
- j. Mounting sets not offered with direct mounted seals. However, if a direct mounted PSTAD threaded seal with a 1/4 NPT process connection is used, then a mounting set is recommended. Mounting sets are also not offered with ATEX Electrical Safety Code D.
- k. Available with Electrical Safety Code D only.
- l. Not available with Inert fill in sensor or seal.
- m. Not available with pressure seals, sanitary or pulp/paper process connectors, or Nickel alloy sensors.

IAP20 AND IGP20 BRACKET-MOUNTED TRANSMITTERS — (FIGURE 6)

Sensor Corrosion Protection

Choice of 316L ss, Co-Ni-Cr, Nickel alloy, Monel, Tantalum, and Gold-Plated 316L ss materials. High corrosion resistance of Co-Ni-Cr (TI 037-078) means long service life in many difficult applications without the extra cost for exotic materials. Also see TI 37-75b for process applicability with Co-Ni-Cr and other wetted parts materials.

Wide Rangeability

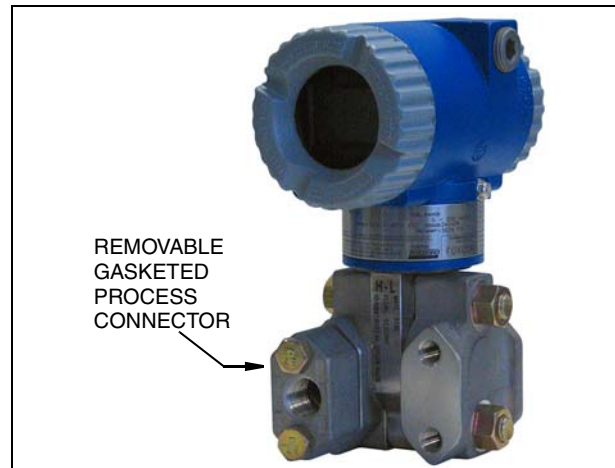
Gauge pressure measurement spans may be as low as 0.12 kPa (0.5 inH₂O) to as high as 35 MPa (5000 psi) by choosing one of only six sensors, and absolute pressure measurement spans may be as low as 0.87 kPa (3.5 inH₂O) to as high as 21 MPa (3000 psi) by choosing one of only four sensors. This provides exceptional measurement range capability with a minimum of versions.

Process Connector

Removable, gasketed process connector (Figure 6) allows a wide range of selections, including 1/4 NPT, 1/2 NPT, Rc 1/4, Rc 1/2, and weld neck connections.

For highly corrosive chemical processes, a 1/2 NPT PVDF (Kynar) insert is installed in the HI-side 316 ss cover and is used as the process connector. In these applications, tantalum is used as the sensor diaphragm material.

Figure 6. Bracket-Mounted Transmitter Shown with Conventional Process Connector



Flameproof Design

The transmitters are designed to meet Agency flameproof and zone requirements.

Ease of Mounting Optional Two-Valve Manifold

Two-valve manifold, to isolate transmitter and to vent pressure, is easily mounted directly to transmitter.

Vacuum Service

An LRL of -100 kPa (-14.7 psi, -1 bar) means that vacuum measurements are easily handled with the versatile IGP20 transmitter.

Span and Range Limits for IAP20 and IGP20 Transmitters

Span Code	Span Limits			Range Limits (Absolute or Gauge Units) (a)		
	kPa	inH ₂ O	mbar	kPa	inH ₂ O	mbar
A (b)	0.12 and 7.5	0.5 and 30	1.2 and 75	-7.5 and +7.5	-30 and +30	-75 and +75
B	0.87 (c) and 50	3.5 (c) and 200	8.7 (c) and 500	-50 (a) and +50	-200(a) and +200	-500 (a) and +500
Span Code	MPa	psi	bar	MPa	psi	bar
C	0.007 and 0.21	1 and 30	0.07 and 2.1	-0.1 (a) and 0.21	-14.7 (a) and +30	-1 (a) and +2.1
D (d)	0.07 and 2.1	10 and 300	0.7 and 21	-0.1 (a) and 2.1	-14.7 (a) and +300	-1 (a) and +21
E (e)	0.7 and 21	100 and 3000	7 and 210	-0.1 (a) and 21	-14.7 (a) and +3000	-1 (a) and +210
F (b)	1.38 and 35	200 and 5000	13.8 and 350	-0.1 (a) and 35	-14.7 (a) and +5000	-1 (a) and +350

- a. For absolute pressure transmitters (IAP20), the lower range limit is 0.
- b. Span Codes A and F applicable to IGP20 Transmitter only. Also, Span Code A is not available when pressure seals are specified.
- c. For IAP20, minimum span for factory calibration is 1.2 kPa (5 inH₂O, 12.4 mbar). Can be field reranged within limits shown in table.
- d. Minimum span limit is 30 psi (0.21 MPa, 2.1 bar) for Analog protocol (-A).
- e. When certain options are specified, the upper span and range limits are reduced as shown in the "Options Impact" table.

Impact of Certain Options on Span and Range Limits (a)

Option	Description (Also see Model Code)	Span and Range Limits Derated to:
-B3	B7-M Bolts and Nuts (NACE)	20 MPa (2900 psi, 200 bar)
-D1	DIN Construction	16 MPa (2320 psi, 160 bar)
-D5 or -B1	DIN Construction or 316 ss Bolting	15 MPa (2175 psi, 150 bar)
-D2, -D4, -D6, or -D8 (a)	DIN Construction (a)	10 MPa (1500 psi, 100 bar) (a)

- a. Refer to Model Code section for application and restrictions related to the items listed in the table.

Maximum Overrange and Proof Pressure Ratings for IAP20 and IGP20 Transmitters (a)

Transmitter Configuration (See Model Code for Description of Options)	Overrange Pressure Rating			Proof Pressure Rating (b)		
	MPa	psi	bar	MPa	psi	bar
Standard with IGP20 Span Code F only	51.8	7500	518	100	14500	1000
With Option -D9	40	5800	400	100	14500	1000
Standard (c) or with Option -B2, -D3, or -D7	25	3626	250	100	14500	1000
With Option -B3	20	2900	200	70	11150	700
With Option -D1	16	2320	160	64	9280	640
With Option -B1 or -D5	15	2175	150	60	8700	600
With Option -D2, -D4, -D6, or -D8	10	1500	100	40	6000	400
With Structure Codes 78 and 79 (PVDF insert)	2.1	300	21	8.4	1200	84

- a. Refer to Model Code section for application and restrictions related to the items listed in the table.
- b. Proof pressure ratings meet ANSI/ISA Standard S82.03-1988. Unit may become nonfunctional after application of proof pressure.
- c. Standard with IAP20/IGP20 Span Codes A to E.

Accuracy (Includes Linearity, Hysteresis, and Repeatability)

Code	If Span is:	Accuracy in % Span is:
A, C, D, & E	≥ 6.7% of URL	±0.1%
B	≥ 5.0% of URL	±0.1%
A, C, D, & E	< 6.7% of URL	$\pm \left[(0.10) + (0.0067) \left(\frac{\text{URL}}{\text{Span}} \right) \right]$
B	< 5.0% of URL	$\pm \left[(0.10) + (0.005) \left(\frac{\text{URL}}{\text{Span}} \right) \right]$

NOTE

Accuracy is under Reference Operating Conditions; Zero-based Calibrations; Co-Ni-Cr or 316L ss sensor with silicone fluid; URL = upper range limit; and span = calibrated span.

Stability (Long Term Drift)

Less than ±0.05% of URL per year over a 5-year period.(2)

Calibration Frequency

The calibration frequency is five years. The five years is derived using the values of allowable error (% span), TPE (% span), performance margin (% span), and stability (% span/month); where:

$$\text{Calibration Frequency} = \frac{\text{Performance Margin}}{\text{Stability}} = \text{Months}$$

Ambient Temperature Effect

Total effect for a 28°C (50°F) change within Normal Operating Condition limits is:

Span Code	Ambient Temperature Effect (a)
A (b)	±(0.18% URL + 0.05% Span)
B and C	±(0.03% URL + 0.10% Span)
D	±(0.05% URL + 0.08% Span)
E and F (a)	±(0.08% URL + 0.05% Span)

- a. See PSS 2A-1Z11 A for additive effect with pressure seals.
- b. Span Limit Code A and F applicable to IGP20 Transmitter only. Also not available with pressure seals.

2. Add an additional 0.05% to stability specification for Span Code A.

Vibration Effect

Total effect is $\pm 0.2\%$ of URL per “g” for vibrations in the frequency range of 5 to 500 Hz; with a double amplitude (DA) of 6.3 mm (0.25 in) in the range of 5 to 15 Hz, or accelerations of 3 “g” in the range of 15 to 500 Hz, whichever is smaller, for transmitters with aluminum housings; and with a DA of 6.3 mm (0.25 in) in the range of 5 to 9 Hz, or accelerations of 1 “g” in the range of 9 to 500 Hz, whichever is smaller, for transmitters with 316 ss housings.

Process Wetted Materials

PROCESS CONNECTION

316L ss, cs, Monel, or Nickel alloy, or PVDF

SENSOR DIAPHRAGM

316L ss, Co-Ni-Cr, Monel, Tantalum, Nickel alloy, or Gold-Plated 316L ss

GASKET

Glass-filled PTFE

Pressure Seal Diaphragm Material

Varies with pressure seal selected.

Reference Side Materials

Cover is 316 ss, and sensor diaphragm material is same as for process wetted materials above.

Fill Fluid

Silicone Oil or Inert FC43, as specified.

Dimensions

Refer to “DIMENSIONS - NOMINAL” on page 36 and to Dimensional Print DP 020-447.

Approximate Mass

3.5 kg (7.8 lb) – with Aluminum Housing

4.2 kg (9.2 lb) – with Process Connectors

Add 1.1 kg (2.4 lb) – with 316 ss Housing

With Pressure Seals: See PSS 2A-1Z11 A.

MODEL CODE: IAP20 AND IGP20 TRANSMITTERS

Description	Model		
I/A Series, Electronic, Bracket-Mounted Absolute Pressure Transmitter	IAP20		
I/A Series, Electronic, Bracket-Mounted Gauge Pressure Transmitter	IGP20		
Electronics Versions and Output Signal			
Electronic, Low Power, 1 to 5 V dc Analog Output (Version -V)	-V		
Structure Code - Select from one of the following three groups:			
1. Transmitter			
<u>Hi-Side Cover</u>	<u>Sensor</u>	<u>Sensor Fill Fluid</u>	
Steel	Co-Ni-Cr	Silicone	10
Steel	Co-Ni-Cr	Inert	11
Steel	316L ss	Silicone	12
Steel	316L ss	Inert	13
Steel	Nickel alloy	Silicone	16
Steel	Nickel alloy	Inert	17
<u>Hi-Side Cover</u>	<u>Sensor</u>	<u>Sensor Fill Fluid</u>	
316 ss	Co-Ni-Cr	Silicone	20
316 ss	Co-Ni-Cr	Inert	21
316 ss	316L ss	Silicone	22
316 ss	316L ss	Inert	23
316 ss	316L ss, Gold Plated	Silicone	2G
316 ss	Monel	Silicone	24
316 ss	Monel	Inert	25
316 ss	Nickel alloy	Silicone	26
316 ss	Nickel alloy	Inert	27
Monel	Monel	Silicone	34
Monel	Monel	Inert	35
Nickel alloy	Nickel alloy	Silicone	46
Nickel alloy	Nickel alloy	Inert	47
Nickel alloy	Tantalum	Silicone	48
Nickel alloy	Tantalum	Inert	49
PVDF Insert (Kynar)	Tantalum	Silicone (Used with Process Connector Type 7 below)	78 (a)
PVDF Insert (Kynar)	Tantalum	Inert (Used with Process Connector Type 7 below)	79 (a)
2. Transmitter Prepared for Foxboro Model Coded Seals (b)			
Transmitter Prepared for Remote Seal on HI Side; Silicone fill in sensor (c)			S3
Transmitter Prepared for Remote Seal on HI Side; Inert fill in sensor (IGP20 only) (c)			S4
Transmitter Prepared for PSFLT, PSSCT, or PSSST Seal, HI Side; Silicone fill in sensor (IGP20 only)			F1
Transmitter Prepared for PSFLT, PSSCT, or PSSST Seal, HI Side; Inert fill in sensor (IGP20 only)			F2
3. Transmitter Prepared for non-Foxboro Seals			
Transmitter Prepared for Remote Seal; Silicone Fill in Sensor			SC
Transmitter Prepared for Remote Seal; Inert Fill in Sensor			SD

MODEL CODE: IAP20 AND IGP20 TRANSMITTERS (CONTINUED)

Description	Model																																
Span Limits (Absolute or Gauge Pressure Units)																																	
<table border="0"> <tr> <td>kPa</td> <td>inH₂O</td> <td>mbar</td> <td></td> </tr> <tr> <td>0.12 and 7.5</td> <td>0.5 and 30</td> <td>1.2 and 75 (IGP20 only)</td> <td>A (d)</td> </tr> <tr> <td>0.87 and 50</td> <td>3.5 and 200</td> <td>8.7 and 500</td> <td>B</td> </tr> <tr> <td>MPa</td> <td>psi</td> <td>bar</td> <td></td> </tr> <tr> <td>0.007 and 0.21</td> <td>1 and 30</td> <td>0.07 and 2.1</td> <td>C</td> </tr> <tr> <td>0.07 and 2.1</td> <td>10 and 300</td> <td>0.7 and 21</td> <td>D</td> </tr> <tr> <td>0.7 and 21</td> <td>100 and 3000</td> <td>7 and 210</td> <td>E (e)</td> </tr> <tr> <td>1.38 and 35</td> <td>200 and 5000</td> <td>1.38 and 350 (IGP20 only)</td> <td>F (e)</td> </tr> </table>	kPa	inH₂O	mbar		0.12 and 7.5	0.5 and 30	1.2 and 75 (IGP20 only)	A (d)	0.87 and 50	3.5 and 200	8.7 and 500	B	MPa	psi	bar		0.007 and 0.21	1 and 30	0.07 and 2.1	C	0.07 and 2.1	10 and 300	0.7 and 21	D	0.7 and 21	100 and 3000	7 and 210	E (e)	1.38 and 35	200 and 5000	1.38 and 350 (IGP20 only)	F (e)	
kPa	inH₂O	mbar																															
0.12 and 7.5	0.5 and 30	1.2 and 75 (IGP20 only)	A (d)																														
0.87 and 50	3.5 and 200	8.7 and 500	B																														
MPa	psi	bar																															
0.007 and 0.21	1 and 30	0.07 and 2.1	C																														
0.07 and 2.1	10 and 300	0.7 and 21	D																														
0.7 and 21	100 and 3000	7 and 210	E (e)																														
1.38 and 35	200 and 5000	1.38 and 350 (IGP20 only)	F (e)																														
Process Connector Type (Material Same as Process Cover Material)																																	
None; connect directly to process cover (not available with Structure Codes 78 and 79)	0																																
1/4 NPT (not available with Structure Codes 46, 47, 48, 49, 78, 79)	1																																
1/2 NPT (not available with Structure Codes 78, 79)	2																																
Rc 1/4 (not available with Structure Codes 46, 47, 48, 49, 78, 79)	3																																
Rc 1/2 (not available with Structure Codes 78, 79)	4																																
1/2 Schedule 80 Welding Neck (not available with Structure Codes 46, 47, 48, 49, 78, 79)	6																																
None; PVDF (Kynar) insert tapped for 1/2 NPT on side of 316 ss Process Cover (only with Codes 78/79)	7																																
Conduit Connection and Housing Material																																	
1/2 NPT Conduit Connection, Aluminum Housing	1																																
PG 13.5 Conduit Connection, Aluminum Housing (With Electrical Safety Code D only)	2																																
1/2 NPT Conduit Connection, 316 ss Housing	3																																
PG 13.5 Conduit Connection, 316 ss Housing (With Electrical Safety Code D only)	4																																
M20 Conduit Connection, Both Sides, Aluminum Housing (With Electrical Safety Code D only)	5																																
M20 Conduit Connection, Both Sides, 316 ss Housing (With Electrical Safety Code D only)	6																																
Electrical Safety (See Electrical Safety Specifications Section for Description and Approval Status)																																	
ATEX flameproof; II 2 GD, EEx d IIC, Zone 1 (f)	D																																
CSA Certifications: (g)	C																																
Division, 1 intrinsically safe, explosionproof, dust-ignitionproof																																	
Zone certified Ex ia IIC, and energy limited Ex nA II																																	
Division 2, Classes I, II, and III																																	
CSA zone certified flameproof Ex d IIC. Also all certifications of Code C above. (f)	B																																
FM Approvals: (g)	F																																
Division 1, intrinsically safe, explosionproof, dust-ignitionproof																																	
Zone approved AEx ia IIC																																	
Division 2, nonincendive, Classes I, II, and III																																	
FM zone approved flameproof AEx d IIC. Also all approvals of Code F above. (f)	G																																
IECEx flameproof, Ex d IIC, Zone 1 (f)	V																																
Optional Selections																																	
Refer to Optional Selection descriptions below.																																	
Mounting Bracket Set - Not available with Direct Connect Seals, Structure Codes F1 and F2	-M1																																
Standard Style Painted Steel Bracket with Plated Steel Bolts	-M2																																
Standard Style Stainless Steel Bracket with Stainless Steel Bolts	-M3																																
Universal Style Stainless Steel Bracket with Stainless Steel Bolts																																	
Blind (Solid) Cover over Standard LCD Indicator																																	
Blind (Solid) Cover replaces Window Cover	-L2																																

MODEL CODE: IAP20 AND IGP20 TRANSMITTERS (CONTINUED)

Description	Model
DIN 19213 Construction used with Process Connector Code 0 and 316 ss Process Covers Only (g)	
Process Cover	
Cover	
Type	
Single Ended (h)	-D1
Double Ended (h) (i)	-D2
(Blind Kidney Flange on back)	
Single Ended	-D3
Double Ended (h) (i)	-D4
(Blind Kidney Flange on back)	
Single Ended (h)	-D5
Double Ended (h) (i)	-D6
(Blind Kidney Flange on back)	
Single Ended	-D7
Double Ended (h) (i)	-D8
(Blind Kidney Flange on back)	
Cleaning and Preparation - Not Available w/Gold-Plated Sensor, Structure 2G (g)	
Unit Degreased - for Silicone Filled Sensors Only	-X1
(Not for Oxygen/Chlorine/Other Fluids that may react with Silicone)	
Cleaned and Prepared for Oxygen Service - for Inert Filled Sensors Only	-X2
(Not available with Carbon Steel Covers or with Silicone Filled Sensors)	
Cleaned and Prepared for Chlorine Service - for Inert Filled Sensors Only (j)	-X3
(Not available with Carbon Steel Covers or with Silicone Filled Sensors)	
Bolting for Process Covers/Connectors (k)	
316 ss Bolts and Nuts (Pressure Derated) (h)	-B1
17-4 ss Bolts and Nuts (j)	-B2
B7M Bolts and Nuts (NACE)(Pressure Derated) (h)	-B3
Conduit Thread Adapters	
Hawke-Type 1/2 NPT Cable Gland for use with Conduit Connection Codes 1 and 3 (l)	-A1
M20 Connector for use with Conduit Connection Codes 1 and 3 (l)	-A3
Electronics Housing Features	
External Zero Adjustment	-Z1
Custody Transfer Lock and Seal	-Z2
External Zero Adjustment and Custody Transfer Lock and Seal	-Z3
Custom Factory Configuration	
Full Factory Configuration (Requires Configuration Form to be filled out)	-C2
Tubeing Connectors - Specify Only One (Only 316 ss process covers; no side vents on cover) (g)	
Steel, Connecting 6 mm Tubing to 1/4 NPT Process Connector	-E1
Steel, Connecting 12 mm Tubing to 1/2 NPT Process Connector	-E2
316 ss, Connecting 6 mm Tubing to 1/4 NPT Process Connector	-E3
316 ss, Connecting 12 mm Tubing to 1/2 NPT Process Connector	-E4
Gaskets	
Gasket for Vacuum Service with Pressure Seals (m)	-G1
Instruction Books (Common MI, Brochure, and Full Documentation Set on DVD is Standard)	
Without Instruction Book and DVD - Only "Getting Started" Brochure is supplied	-K1

MODEL CODE: IAP20 AND IGP20 TRANSMITTERS (CONTINUED)

Description	Model
Miscellaneous Optional Selections	
Low Temperature Operative Limit of Electronics Housing Extended Down to -50°C (-58°F) Not available with sensors and seals with Inert fill, Structure Codes 78 and 79, or DIN Options -D2, -D4, -D6, and -D8	-J
Vent Screw in side of Process Cover (with 316 ss process covers only) Not available with seals, DIN construction options, or Structure Codes 78 and 79	-V (h)
Supplemental Customer Tag (Stainless Steel Tag wired onto Transmitter)	-T
Examples: IGP20-D20B21F-M1Z2; IAP20-DS3C11F-T	

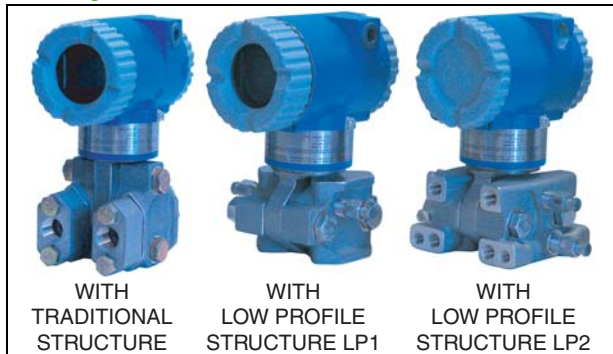
- a. Maximum overrange pressure is 2.1 MPa (300 psi); temperature limits are -7 and +82°C (20 and 180°F).
- b. Transmitter and Pressure Seal Model Codes are both required. See PSS 2A-1Z11 A for the various pressure seal model codes.
- c. Remote Seal Models that may be specified are PSFPS, PSFES, PSFAR, PSTAR, PSISR, PSSCR, and PSSSR.
- d. Span Limit Code A is not available with pressure seals (Structure Codes F1, F2, S3, S4, SC, SD).
- e. Span Limit Codes E and F are not available with Structure Codes 78 and 79 (PVDF insert in HI Side Cover).
- f. A cover lock is provided as standard with Electrical Safety Codes D, B, G, and V.
- g. Not available when Remote Mount or Direct Connect Pressure Seals are specified.
- h. Pressure derated. See derating table in specifications section.
- i. Temperature limits derated to 0 and 60°C (32 and 140°F). Also Mounting Sets -M1 and -M2 not available.
- j. When -X3 is specified, the standard bolting is replaced with 17-4 ss bolts and nuts. Therefore, there is no need to specify Option -B2 when selecting the Chlorine Service Option -X3.
- k. Not available with DIN construction options. For stainless steel bolts with DIN construction, specify -D5 to -D8, as required.
- l. Available with Electrical Safety Code D only.
- m. Standard offering with IAP20 Transmitters when pressure seals are used. However, -G1 is a required option with IGP20 Transmitters when pressure seal (Structure Codes S3, S4, F1, F2, SC, and SD) will be used in vacuum applications. This option substitutes vacuum service metal gasket for standard PTFE process cover gasket.

IDP10 DIFFERENTIAL PRESSURE TRANSMITTERS

IDP10 Transmitter Structures (Figure 7)

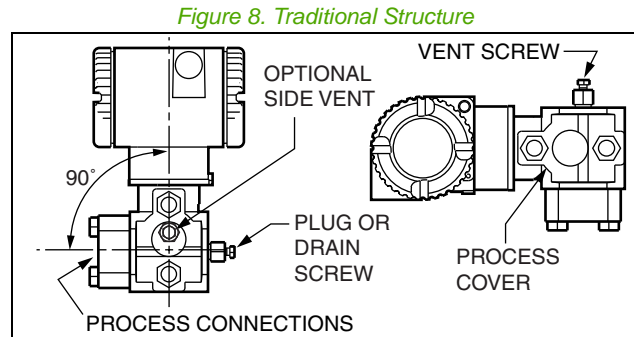
One traditional and two low profile structures (LP1 and LP2) are offered. See description below.

Figure 7. DP10 Differential Pressure Transmitter



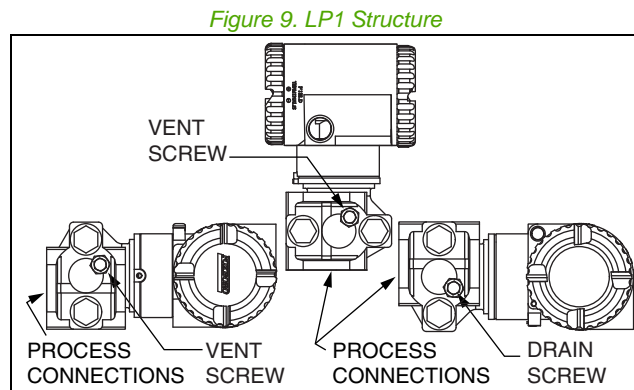
TRADITIONAL STRUCTURE (Figure 8)

This structure is where the process connections are at 90° from the transmitter centerline. Vertical and horizontal mounting are provided for sensor cavity venting and draining.



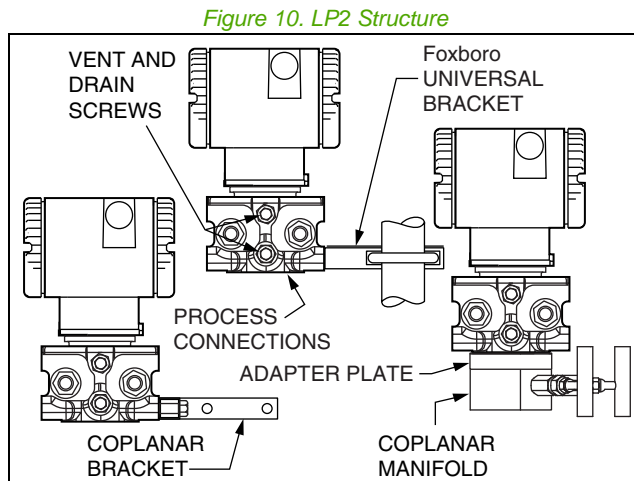
LOW PROFILE STRUCTURE LP1 (Figure 9)

This structure has process connections that are in line with the transmitter centerline. It is compact, and its light weight is ideal for direct mounting to the process. An adapter plate (Options -P1 to -P8), shown in Figure 10 with the LP2, is offered for mounting to a Coplanar™ manifold. Sensor cavity venting and draining is provided for both vertical and horizontal installations.



LOW PROFILE STRUCTURE LP2 (Figure 10)

This structure, as with the LP1, is an in-line design which can be direct or bracket mounted. It is used for vertical installations, and can also be installed on existing Coplanar manifolds using an adapter plate (Options -P1 to -P8). Sensor cavity venting and draining are also provided.



Wide Rangeability

Five d/p Cell range sensors cover measurement spans from 0.125 kPa to 21 MPa (0.5 inH₂O to 3000 psi). This high turndown capability means that most differential pressure applications are satisfied with only these five ranges, simplifying your spare transmitter and spare parts requirements.

Sensor Corrosion Protection

Choice of 316L ss, Co-Ni-Cr, Nickel alloy, Monel, Gold-Plated 316L ss, and Tantalum materials. High corrosion resistance of Co-Ni-Cr (TI 037-078) means long service life without extra cost for exotic materials. See TI 37-75b for process applicability with Co-Ni-Cr and other wetted parts materials.

Flameproof Design

Meet Agency flameproof and zone requirements.

Process Connectors

Removable, gasketed process connectors allow a wide range of selections, including 1/4 NPT, 1/2 NPT, Rc 1/4, Rc 1/2, and weld neck connections.

For very corrosive chemical processes, 1/2 NPT PVDF inserts are installed in the HI- and LO-side 316 ss covers when a traditional structure is used, and used as the process connectors.

Span and Range Limits for IDP10 d/p Cell Transmitters (a)

Span Code	Span Limits			Range Limits		
	kPa	inH ₂ O	mbar	kPa	inH ₂ O	mbar
A (b)	0.12 and 7.5	0.5 and 30	1.2 and 75	-7.5 and +7.5	-30 and +30	-75 and +75
B	0.87 and 50	3.5 and 200	8.7 and 500	-50 and +50	-200 and +200	-500 and +500
C	7 and 210	28 and 840	70 and 2100	-210 and +210	-840 and +840	-2100 and +2100
Span Code	MPa	psi	bar	MPa	psi	bar
D	0.07 and 2.1	10 and 300	0.7 and 21	-0.21 and +2.1	-30 and +300	-2.1 and +21
E (c)	0.7 and 21 (c)	100 and 3000 (c)	7 and 210 (c)	-0.21 and 21 (c)	-30 and +3000 (c)	-2.1 and +210 (c)

- a. Positive values indicate HI side of sensor at the high pressure, and negative values indicate LO side of sensor at the high pressure.
- b. Span Limit Code A not available when pressure seals are selected.
- c. When certain options are specified, the upper span and range limits are reduced as shown in the “Options Impact” table below.

Impact of Certain Options on Span and Range Limits (a)

Option	Description (Also see Model Code)	Span and Range Limits Derated to:
-B3	B7M Bolts and Nuts (NACE)	20 MPa (2900 psi, 200 bar)
-D1	DIN Construction	16 MPa (2320 psi, 160 bar)
-D5 or -B1	DIN Construction or 316 ss Bolting	15 MPa (2175 psi, 150 bar)
-D2, -D4, -D6, or -D8 (a)	DIN Construction (a)	10 MPa (1500 psi, 100 bar) (a)

- a. Refer to Model Code section for application and restrictions related to the items listed in the table.

Maximum Static and Proof Pressure Ratings for IDP10 d/p Cell Transmitters (a)

Transmitter Configuration (See Model Code for Description of Options)	Static Pressure Rating			Proof Pressure Rating (b)		
	MPa	psi	bar	MPa	psi	bar
With Option -D9 or -Y	40	5800	400	100	14500	1000
Standard or with Option -B2, -D3, or -D7	25	3626	250	100	14500	1000
With Option -B3	20	2900	200	70	11150	700
With Option -D1	16	2320	160	64	9280	640
With Option -B1 or -D5	15	2175	150	60	8700	600
With Option -D2, -D4, -D6, or -D8	10	1500	100	40	6000	400
With Structure Codes 78 and 79 (PVDF insert)	2.1	300	21	8.4	1200	84

- a. Refer to Model Code section for application and restrictions related to the items listed in the table.
- b. Proof pressure ratings meet ANSI/ISA Standard S82.03-1988. Unit may become nonfunctional after application of proof pressure.

Accuracy (Includes Linearity, Hysteresis, and Repeatability)

Code	If Span is:	Accuracy in % of Span is:
A, C, D, & E	≥ 6.7% of URL	±0.1%
B	≥ 5.0% of URL	±0.1%
A, C, D, & E	< 6.7% of URL	$\pm \left[(0.10) + (0.0067) \left(\frac{\text{URL}}{\text{Span}} \right) \right]$
B	< 5.0% of URL	$\pm \left[(0.10) + (0.005) \left(\frac{\text{URL}}{\text{Span}} \right) \right]$

NOTE

Accuracy stated is under Reference Operating Conditions; Zero-based Calibrations; Co-Ni-Cr or 316L ss sensor with silicone fluid; URL = upper range limit; and span = calibrated span.

Stability

Long term drift is less than ±0.05% of URL per year over a 5-year period.⁽³⁾

Calibration Frequency

The calibration frequency is five years. The five years is derived using the values of allowable error (% span), TPE (% span), performance margin (% span), and stability (% span/month); where:

$$\text{Calibration Frequency} = \frac{\text{Performance Margin}}{\text{Stability}} = \text{Months}$$

Ambient Temperature Effect

Total effect for a 28°C (50°F) change within Normal Operating Condition limits is:

Span Code	Ambient Temperature Effect (a)
A (b)	±(0.18% URL + 0.05% Span)
B and C	±(0.03% URL + 0.10% Span)
D	±(0.05% URL + 0.08% Span)
E	±(0.08% URL + 0.05% Span)

- a. See PSS 2A-1Z11 A for additive effect with pressure seals.
- b. Span Limit Code A not applicable to transmitters with seals.

NOTE

For additional ambient temperature effect when seals are used, see PSS 2A-1Z11 A.

3. Add an additional 0.05% to stability specification for Span Code A.

Static Pressure Effect on Differential Pressure

The zero and span shift for a 7 MPa, 1000 psi, change in static pressure is:

ZERO SHIFT (a)

Span Code	Zero Shift-Static Pressure Effect
A	±0.30% URL (b)
B and C	±0.10% URL
D	±0.50% URL (b)
E	±0.50% URL

- a. Can be calibrated out by zeroing at nominal line pressure.
- b. Per 3.5 MPa (500 psi) for Span Codes A and D.

SPAN SHIFT

±0.25% Reading (±0.030% for Span Code A)

Vibration Effect

Total effect is ±0.2% of URL per “g” for vibrations in the frequency range of 5 to 500 Hz; with double amplitudes of 6.3 mm (0.25 in) in the range of 5 to 15 Hz, or accelerations of 3 “g” in the range of 15 to 500 Hz, whichever is smaller, for transmitters with aluminum housings; and with double amplitudes of 6.3 mm (0.25 in) in the range of 5 to 9 Hz, or accelerations of 1 “g” in the range of 9 to 500 Hz, whichever is smaller, for transmitters with 316 ss housings.

Fill Fluid

Silicone Oil or Inert FC43

Process Wetted Materials

PROCESS CONNECTION

316L ss, cs, Monel, or Nickel alloy, or PVDF (Kynar)

SENSOR DIAPHRAGM

316L ss, Co-Ni-Cr, Monel, Tantalum, Nickel alloy, or Gold-Plated 316L ss, as specified

GASKET

Glass-filled PTFE

Pressure Seal Diaphragm Material

Varies with pressure seal selected. See PSS 2A-1Z11 A.

Dimensions

Refer to “DIMENSIONS - NOMINAL” on page 36 and to Dimensional Print DP 020-447.

Approximate Mass (with Process Connectors)

4.2 kg (9.2 lb) – with Traditional Structure

Add 0.1 kg (0.2 lb) – with Low Profile Structure LP1

Add 0.8 kg (1.8 lb) – with Low Profile Structure LP2

Add 1.1 kg (2.4 lb) – with 316 ss Housing

MODEL CODE: IDP10 TRANSMITTERS

Description	Model		
I/A Series, Electronic d/p Cell Transmitter for Differential Pressure Measurement	IDP10		
Electronics Versions and Output Signal			
Electronic; Low Power, 1 to 5 V dc, Analog Output (Version -V)	-V		
Structure Code - Select from one of the following six groups:			
1. Transmitter with Traditional Structure			
<u>Hi-Side Cover</u>	<u>Sensor</u>	<u>Sensor Fill Fluid</u>	
Steel	Co-Ni-Cr	Silicone	10
Steel	Co-Ni-Cr	Inert	11
Steel	316L ss	Silicone	12
Steel	316L ss	Inert	13
Steel	Nickel alloy	Silicone	16
Steel	Nickel alloy	Inert	17
316 ss	Co-Ni-Cr	Silicone	20
316 ss	Co-Ni-Cr	Inert	21
316 ss	316L ss	Silicone	22
316 ss	316L ss	Inert	23
316 ss	316L ss, Gold Plated	Silicone	2G
316 ss	Monel	Silicone	24
316 ss	Monel	Inert	25
316 ss	Nickel alloy	Silicone	26
316 ss	Nickel alloy	Inert	27
Monel	Monel	Silicone	34
Monel	Monel	Inert	35
Nickel alloy	Nickel alloy	Silicone	46
Nickel alloy	Nickel alloy	Inert	47
Nickel alloy	Tantalum	Silicone	48
Nickel alloy	Tantalum	Inert	49
PVDF Insert (Kynar)	Tantalum	Silicone (Used with Process Connector Type 7 below)	78 (a)
PVDF Insert (Kynar)	Tantalum	Inert (Used with Process Connector Type 7 below)	79 (a)
2. Transmitter with Low Profile Structure LP1 (Not available with Pressure Seals)			
<u>Covers</u>	<u>Sensor</u>	<u>Fill Fluid</u>	
316 ss	316L ss	Silicone	LL
316 ss	316L ss	Inert	LM
316 ss	Nickel alloy	Silicone	LC
316 ss	Nickel alloy	Inert	LD
3. Transmitter with Low Profile Structure LP2 (Not available with Pressure Seals)			
<u>Covers</u>	<u>Sensor</u>	<u>Fill Fluid</u>	
316 ss	316L ss	Silicone	52
316 ss	316L ss	Inert	53
316 ss	Nickel alloy	Silicone	56
316 ss	Nickel alloy	Inert	57

MODEL CODE: IDP10 TRANSMITTERS

MODEL CODE: IDP10 TRANSMITTERS (CONTINUED)

Description	Model		
4. Transmitter prepared for Foxboro Model Coded Remote Mount Seals (b)			
Transmitter prepared for Remote Seals on Both HI and LO Sides, Silicone Fill in Sensor	S1 (c)		
Transmitter prepared for Remote Seals on Both HI and LO Sides, Inert Fill in Sensor	S2 (c)		
Transmitter prepared for Remote Seal HI Side, 1/2 NPT Connector LO Side, Silicone Fill in Sensor	S3 (c)		
Transmitter prepared for Remote Seal HI Side, 1/2 NPT Connector LO Side, Inert Fill in Sensor	S4 (c)		
Transmitter prepared for Remote Seal LO Side, 1/2 NPT Connector HI Side, Silicone Fill in Sensor	S5 (c)		
Transmitter prepared for Remote Seal LO Side, 1/2 NPT Connector HI Side, Inert Fill in Sensor	S6 (c)		
5. Transmitter Prepared for Foxboro Model Coded Direct Connect Seals (b)			
PSFLT, PSSCT, or PSSST Direct Connect Seal on HI Side; 1/2 NPT Process Connector LO Side; Silicone Fill	F1		
PSFLT, PSSCT, or PSSST Direct Connect Seal on HI Side; 1/2 NPT Process Connector LO Side; Inert Fill	F2		
PSFLT, PSSCT, or PSSST Direct Connect Seal on HI Side; Remote Seal with Capillary LO Side; Silicone Fill	F3		
PSFLT, PSSCT, or PSSST Direct Connect Seal on HI Side; Remote Seal with Capillary LO Side; Inert Fill	F4		
6. Transmitter Prepared for non-Foxboro Seals			
Remote Seals on High and Low Sides; Silicone Fill in Sensor	SA		
Remote Seals on High and Low Sides; Inert Fill in Sensor	SB		
Remote Seal on High Side and 1/2 NPT Connector on Low Side, Silicone Fill in Sensor	SC		
Remote Seal on High Side and 1/2 NPT Connector on Low Side, Inert Fill in Sensor	SD		
Remote Seal on Low Side and 1/2 NPT Connector on High Side, Silicone Fill in Sensor	SE		
Remote Seal on Low Side and 1/2 NPT Connector on High Side, Inert Fill in Sensor	SF		
Span Limits			
kPa	inH₂O	mbar	
0.12 and 7.5	0.5 and 30	1.2 and 75	A (d)
0.87 and 50	3.5 and 200	8.7 and 500	B
7 and 210	28 and 840	70 and 2100	C
MPa	psi	bar	
0.07 and 2.1	10 and 300	0.7 and 21	D
0.7 and 21	100 and 3000	7 and 210	E (e)
Process Connector Type (Material Same as Process Cover Material) (f)			
See below:	0		
▶ For d/p: No connectors; both covers tapped for 1/4 NPT (316 ss only, no side vents)			
▶ Flange Mount Hi Side: 1/2 NPT, 316 ss Process Connector on Lo Side (F1 and F2 only)			
▶ Flange Mount Hi Side: No connectors; both sides prepared for seals (F3 and F4 only)			
▶ Two Remote Seals: No connectors; both covers tapped for capillary connection (S1, S2, SA, SB only)			
▶ One Remote Seal: 1/2 NPT, 316 ss Process Connector on Side Opposite Seal (S3 to S6, SC to SF only)			
1/4 NPT, Not with Structure Codes 46 to 49, 78, 79, or pressure seals	1		
1/2 NPT, Not with Structure Codes 78 or 79, or pressure seals	2		
Rc 1/4, Not with Structure Codes 46 to 49, 78, 79, or pressure seals	3		
Rc 1/2, Not with Structure Codes 78 or 79, or pressure seals	4		
1/2 Schedule 80 Welding Neck, Not with Structure Codes 46 to 49, 78, 79, or pressure seals	6		
None; PVDF Insert tapped for 1/2 NPT/Process Inlet on Side of 316 ss Process Covers (only with 78/79 above)	7		
Conduit Connection and Housing Material			
1/2 NPT Conduit Connection, Aluminum Housing	1		
PG 13.5 Conduit Connection, Aluminum Housing (With Electrical Safety Code D only)	2		
1/2 NPT Conduit Connection, 316 ss Housing	3		
PG 13.5 Conduit Connection, 316 ss Housing (With Electrical Safety Code D only)	4		
M20 Conduit Connection, Both Sides, Aluminum Housing (With Electrical Safety Code D only)	5		
M20 Conduit Connection, Both Sides, 316 ss Housing (With Electrical Safety Code D only)	6		

MODEL CODE: IDP10 TRANSMITTERS (CONTINUED)

Description	Model
Electrical Safety (Also see Electrical Safety Specifications Section)	
ATEX flameproof; II 2 GD, EEx d IIC, Zone 1 (g)	D
CSA Certifications: (h)	C
Division, 1 intrinsically safe, explosionproof, dust-ignitionproof	
Zone certified Ex ia IIC, and energy limited Ex nA II	
Division 2, Classes I, II, and III	
CSA zone certified flameproof Ex d IIC. Also all certifications of Code C above. (g)	B
FM Approvals: (h)	F
Division 1, intrinsically safe, explosionproof, dust-ignitionproof	
Zone approved AEx ia IIC	
Division 2, nonincendive, Classes I, II, and III	
FM zone approved flameproof AEx d IIC. Also all approvals of Code F above. (g)	G
IECEx flameproof, Ex d IIC, Zone 1 (g)	V
Optional Selections	
Refer to Optional Selections below.	
Mounting Bracket Set (i)	
Standard Style Painted Steel Bracket with Plated Steel Bolts	-M1
Standard Style Stainless Steel Bracket with Stainless Steel Bolts	-M2
Universal Style Stainless Steel Bracket with Stainless Steel Bolts	-M3
(Not with Structure Codes LL, LM, LC, or LD)	
Blind (Solid) Cover over Standard LCD Indicator	
Solid (Blind) Cover replaces Window Cover	-L2
DIN 19213 Construction used with Process Connector Code 0 and 316 ss Covers with no side vents (h)	
Single Ended Process Cover with M10, B7 Steel Bolting (j) (k)	-D1
Double Ended Process Cover with M10, B7 Steel Bolting; Blind Kidney Flange on Back (j) (l) (m)	-D2
Single Ended Process Cover with 7/16 in, B7 Steel Bolting; Standard Rating 25 MPa (3626 psi) (k)	-D3
Double Ended Process Cover with 7/16 in, B7 Steel Bolting; Blind Kidney Flange on Back (j) (l) (m)	-D4
Single Ended Process Cover with 7/16 in, 316 ss Bolting (j) (k)	-D5
Double Ended Process Cover with 7/16 in, 316 ss Bolting; Blind Kidney Flange on Back (j) (l) (m)	-D6
Single Ended Process Cover with 7/16 in, 17-4 ss Bolting; Standard Rating 25 MPa (3626 psi) (k)	-D7
Double Ended Process Cover with 7/16 in, 17-4 ss Bolting; Blind Kidney Flange on Back (j) (l) (m)	-D8
Single Ended Process Cover with 7/16 in, 17-4 ss Bolting; Rated 400 bar, 5800 psi, 40 MPa (k)	-D9
Not available with Span Codes A, D, or E; or Option Codes -V, -B1, -B2, -B3, or -Y	
Cleaning and Preparation - Not Available with Gold-Plated Sensor, Structure 2G (h)	
Unit Degreased - for Silicone Filled Sensors Only	-X1
(Not for Oxygen/Chlorine/Other Fluids that may react with Silicone)	
Cleaned and Prepared for Oxygen Service - for Inert Filled Sensors Only	-X2
(Not Available with Carbon Steel Covers or with Silicone Filled Sensors)	
Cleaned and Prepared for Chlorine Service - for Inert Filled Sensors Only (n)	-X3
(Not Available with Carbon Steel Covers or with Silicone Filled Sensors)	
Bolting for Process Covers/Connectors - Not with DIN 19213 or Structure Codes 78 and 79 (o)	
316 ss Bolts and Nuts (Pressure Derated; Not Available with -Y Option) (j)	-B1
17-4 ss Bolts and Nuts (n)	-B2
B7-M Bolts and Nuts (NACE) (j)	-B3

MODEL CODE: IDP10 TRANSMITTERS (CONTINUED)

Description	Model
Conduit Thread Adapters (Not available with Conduit Connection Codes 5 and 6)	
Hawke-Type 1/2 NPT Cable Gland for use with Conduit Connection Codes 1 and 3 (p)	-A1
M20 Conduit Thread Adapter for use with Conduit Connection Codes 1 and 3 (p)	-A3
Electronics Housing Features	
External Zero Adjustment	-Z1
Custody Transfer Lock and Seal	-Z2
External Zero Adjustment and Custody Transfer Lock/Seal	-Z3
Custom Factory Configuration	
Full Factory Configuration (Requires Configuration Form to be Filled Out)	-C2
Tubing Connectors - Not available with Structure Codes 78 and 79 (h)	
Steel, Connecting 6 mm Tubing to 1/4 NPT Process Connector	-E1
Only with Structure Codes 10 to 13; and Process Connector Codes 0 and 1	
Steel, Connecting 12 mm Tubing to 1/2 NPT Process Connector	-E2
Only with Structure Codes 10 to 13; and Process Connector Code 2	
316 ss, Connecting 6 mm Tubing to 1/4 NPT Process Connector	-E3
Only with Structure Codes 10 to 13 and 20 to 23; and Process Connector Codes 0 and 1	
316 ss, Connecting 12 mm Tubing to 1/2 NPT Process Connector	-E4
Only with Structure Codes 10 to 13 and 20 to 23; and Process Connector Code 2	
Vent Screw in Process Cover	
Supply Vent Screw in Side of Each Process Cover	-V
(Available only on Traditional Process Cover Structure Codes 22 to 47)	
Omit Vent Screw in Side of Each Process Cover	-V1
(Available only on Type LP1 Low Profile Process Cover Structures Codes LL, LM, LC, and LD)	
Adapters for Direct Mount to Competitive Manifolds (See inside pages for manifold compatibility) (q)	
See inside pages for manifold compatibility.	
Adapter Set for MC Coplanar Manifolds, B7 Bolts (not with options -B1, -B2, or -B3)	-P1
Adapter Set for MC Coplanar Manifolds, 316 ss Bolts (requires -B1 option)	-P2
Adapter Set for MC Coplanar Manifolds, 17-4 ss Bolts (requires -B2 option)	-P3
Adapter Set for MC Coplanar Manifolds, B7M Bolts (requires -B3 option)	-P4
Adapter Set for MT3 Coplanar Manifolds, Traditional Flange, B7 Bolts (not with options -B1, -B2, or -B3)	-P5
Adapter Set for MT3 Coplanar Manifolds, Traditional Flange, 316 ss Bolts (requires -B1 option)	-P6
Adapter Set for MT3 Coplanar Manifolds, Traditional Flange, 17-4 ss Bolts (requires -B2 option)	-P7
Adapter Set for MT3 Coplanar Manifolds, Traditional Flange, B7M Bolts (requires -B3 option)	-P8
Gaskets	
Gasket for Vacuum Service with Pressure Seals (r)	-G1
Instruction Books (Common MI, Brochure, and Full Documentation Set on DVD is Standard)	
Without Instruction Book and DVD - Only "Getting Started" Brochure is supplied	-K1

MODEL CODE: IDP10 TRANSMITTERS (CONTINUED)

Description	Model
<p>Miscellaneous Optional Selections</p> <p>Low Temperature Operative Limit of Electronics Housing Extended Down to -50°C (-58°F) Not available with sensors and seals with Inert fill; Structure Codes 78 and 79; and DIN Options -D2, -D4, -D6, and -D8</p> <p>Supplemental Customer Tag (Stainless Steel Tag wired onto Transmitter) Static Pressure Rating to 40 MPa (5800 psi); Only with Span Codes B and C Not available with: – Options -B1, -B2, and -B3 (s) – Options -D1 to -D9 – Structure Codes 34, 35, 78, 79, S1 to S6, SA to SF, F1 to F4</p>	<p>-J</p> <p>-T</p> <p>-Y</p>

- a. Maximum static pressure rating is 2.1 MPa (300 psi); temperature limits are -7 and +82°C (20 and 180°F).
- b. Both Transmitter and Pressure Seal Model Numbers are required. See PSS 2A-1Z11 A for the various pressure seal Model Codes.
- c. Remote Seal Models that may be specified are PSFPS, PSFES, PSFAR, PSTAR, PSISR, PSSCR, and PSSSR.
- d. Span Limit Code A is not available with pressure seals, except for Sanitary Spud Seals Models PSSSR-.4 and PSSST-.4
- e. Span Limit Code E is not available with Structure Codes 78 and 79 above (PVDF insert in HI side cover).
- f. Select Code "0" if a pressure seal is specified. Otherwise select Code 1 through 7
- g. A cover lock is provided as standard with Electrical Safety Codes D, B, and G.
- h. Not available when Remote Mount or Direct Connect (Flanged Level) Seals are specified.
- i. Mounting sets not offered with direct connect (flange mount) seals.
- j. See Functional Specifications section for pressure deratings when some DIN 19213 options and Bolting Options -B1/-B3 are specified.
- k. Not available with Low Profile Structure Codes 52 to 67
- l. Temperature limits derated to 0 and 60°C (32 and 140°F). Also not available with Structure Codes 52 to 57, and LL, LM, LC, or LD.
- m. Mounting Bracket Set options are not available.
- n. When -X3 is specified, the standard bolting is replaced with 17-4 ss bolts and nuts. Therefore, there is no need to specify Option -B2 when selecting the Chlorine Service Option -X3.
- o. Not available with DIN construction options. For stainless steel bolts with DIN construction, specify -D5 to -D9, as required.
- p. Available with Electric Safety Code D only.
- q. Adapter plate options -P1 to -P8 are not available with:
 - Pressure Seal Structure Codes.
 - Process Connector Codes 1-7.
 - DIN Construction Options -D1, -D2, -D4, -D5, -D6, -D7, -D8, -D9.
- r. -G1 is a required option when pressure seal will be used in vacuum applications. This option substitutes vacuum service metal gasket for standard PTFE process cover gasket.
- s. -B2 Bolt Option (17-4 ss) is not available with the -Y option because 17-4 ss bolts and nuts are supplied as part of the -Y option.

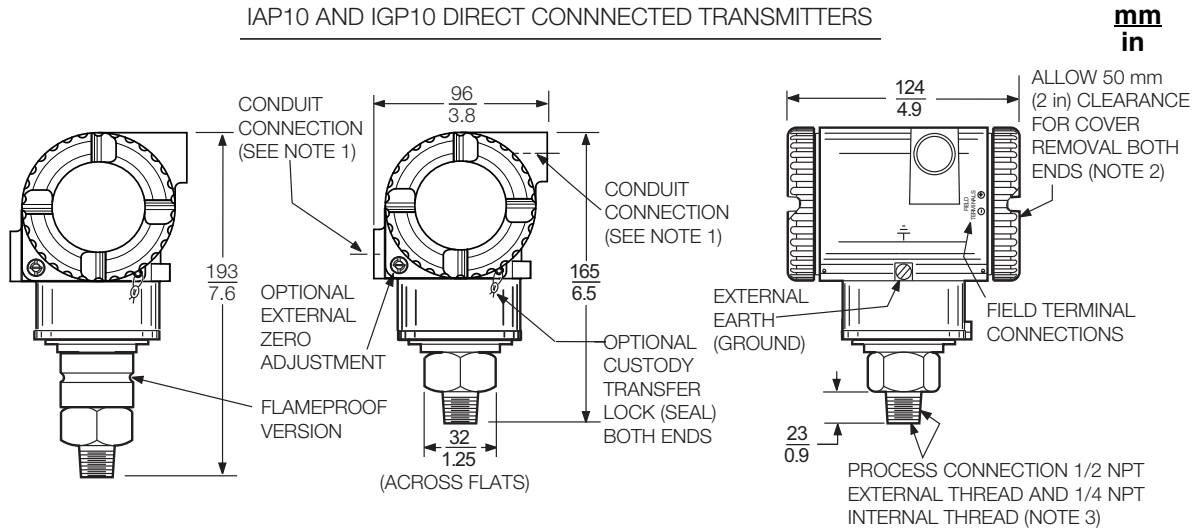
SUGGESTED RFQ SPECIFICATIONS

The manufacturer shall provide two-wire, 1 to 5 V dc output, absolute, gauge, or d/p Cell Transmitters (with or without pressure seals) suitable for field mounting, that meet the following specifications:

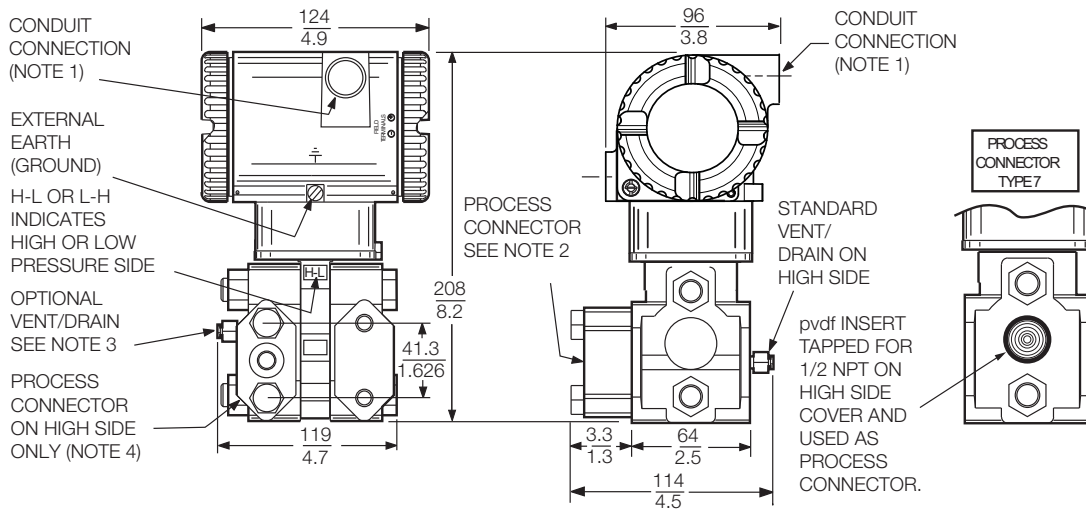
Span Limits:	Differential Pressure Transmitter (IDP10): 0.5 inH ₂ O to 3000 psi, using five sensors Bracket Mounted Absolute/Gauge Pressure Transmitters (IAP20/IGP20): 0.5 inH ₂ O to 5000 psi, using six sensors Direct Connected Gauge Pressure Transmitters (IGP10): 1 to 6000 psi, using four sensors Direct Connected Absolute Pressure Transmitters (IAP10): 1 to 3000 psi, using three sensors
Accuracy:	±0.10% of calibrated span for linear output.
LCD Indicator:	Standard Liquid Crystal Display (LCD) Indicator with pushbuttons for on-board calibration and configuration.
Damping:	Settable for a range of none to 8 seconds.
Electronics Housing:	Epoxy coated aluminum or 316 ss, IEC IP66 (NEMA 4X), two-compartment housing with field wiring in one compartment and electronics in the other compartment.
Modular Electronics:	Easily replaceable, modular electronics.
RFI Protection:	Maximum error shall be no more than an additional ±0.1% of calibrated span for 30 V/m field intensity between 27 and 1000 MHz.
Process Cover Materials:	Industry Standard 316 ss, Carbon Steel, Monel, or Nickel alloy, depending on transmitter structure selected.
Sensor Materials:	316L ss, Cobalt-Nickel-Chrome (Co-Ni-Cr), Monel, Nickel alloy, Tantalum, or 316L ss Gold-Plated sensors, depending on transmitter structure selected.
Process Connection:	IAP10/IGP10 Transmitters: Direct to process piping or pressure seal with 1/2 NPT; optional Rc 1/2 or G 1/2 B external threads to process piping. Internal 1/4 NPT thread also provided as plumbing connection to the process; or prepared for a direct connect seal, or remote capillary connected seal. IAP20/IGP20/IDP10 Transmitters: Used with process connectors to accept 1/4 NPT, 1/2 NPT, Rc 1/4, Rc 1/2, Schedule 80 welding neck; or PVDF insert(s) (tapped for 1/2 NPT) in process cover(s) is(are) used as process connection. Process connection can also be prepared to accept a direct connect seal; or prepared for a single remote capillary connected seal, or two remote capillary connected seals. IDP10 available with traditional structure or low profile structures (low profile structures not available with seals).
Approvals and Certifications:	Must be suitable for Division 1 Hazardous Locations, and conform to all applicable European Union Directives. Versions available to meet Agency flameproof and zone requirements.
Approximate Mass:	1.5 kg (3.3 lb) for Direct-connected AP and GP Transmitters 3.5 kg (7.8 lb) for Bracket Mounted AP and GP Transmitters 4.2 kg (9.2 lb) for DP Transmitters w/ Process Connectors See inside pages for IDP10 traditional and low profile structures. With 316 ss Housing: Add 1.1 kg (2.4 lb) With Pressure Seals: See PSS 2A-1Z11 A
Model Codes:	I/A Series IAP10/IGP10 Direct-connected Absolute/Gauge Pressure Transmitters; IAP20/IGP20 Bracket Mounted Absolute/Gauge Pressure Transmitters, or IDP10 d/p Cell Transmitters; with 1 to 5 V dc Low Power, Voltage output, with or without pressure seals; or equivalent.

DIMENSIONS - NOMINAL

IAP10 AND IGP10 DIRECT CONNECTED TRANSMITTERS

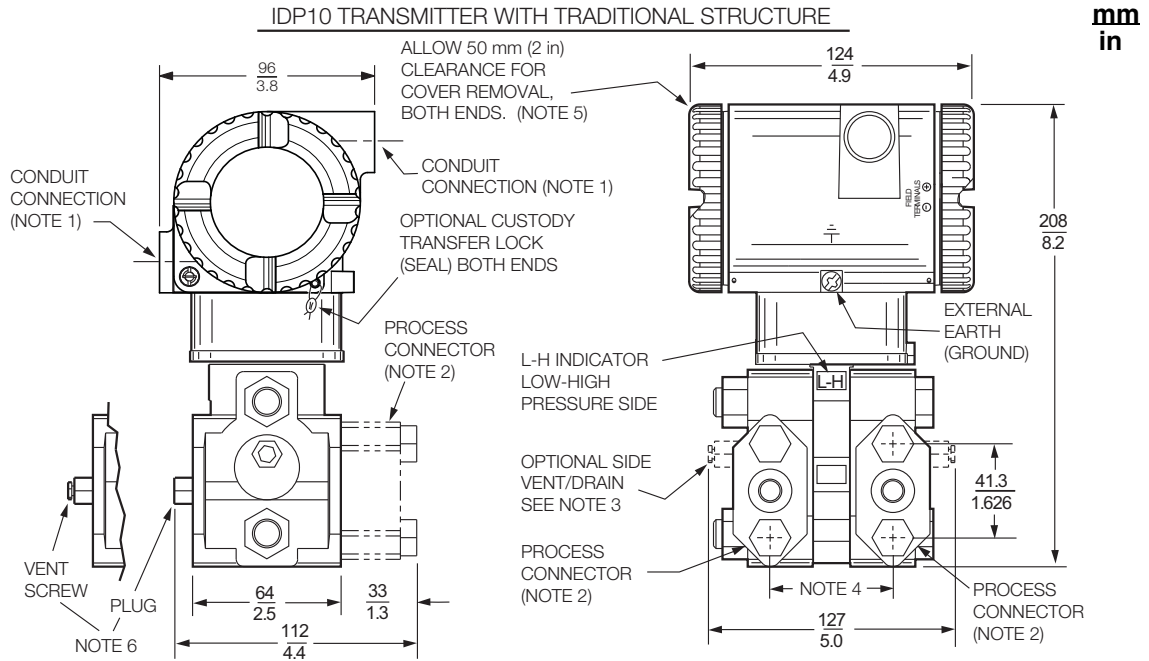


IAP20 AND IGP20 BRACKET MOUNTED TRANSMITTERS



NOTES

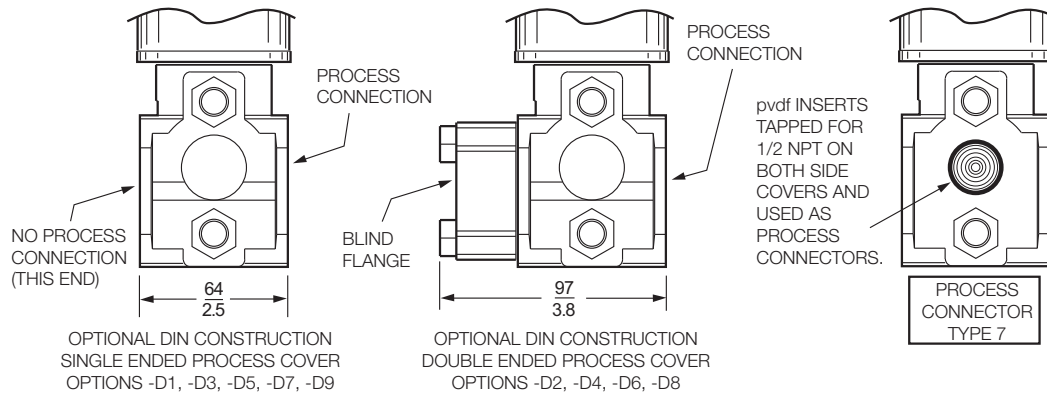
1. CONDUIT CONNECTION 1/2 NPT, PG 13.5, OR M20, BOTH SIDES : PLUG UNUSED CONNECTION WITH METAL PLUG (SUPPLIED).
2. PROCESS CONNECTOR CAN BE REMOVED AND CONNECTION MADE DIRECTLY TO PROCESS COVER USING 1/4 NPT INTERNAL THREAD IN PROCESS COVER. NOTE THAT WITH PROCESS CONNECTION CODE "0", THERE IS NO CONNECTOR.
3. PROCESS COVER CAN BE INVERTED MAKING OPTIONAL SIDE VENT A SIDE DRAIN.
4. FOR USERS WHO DESIRE THE PROCESS CONNECTOR ON THE RIGHT SIDE, MERELY ROTATE TRANSMITTER 180° AND RELOCATE PROCESS CONNECTOR SHOWN TO THE RIGHT SIDE.
5. TOPWORKS ROTATABLE TO ANY POSITION WITHIN ONE TURN COUNTERCLOCKWISE OF FULLY TIGHTENED POSITION.
6. DO NOT USE THE 1/4 NPT INTERNAL THREAD TO DIRECT-CONNECT THE TRANSMITTER.

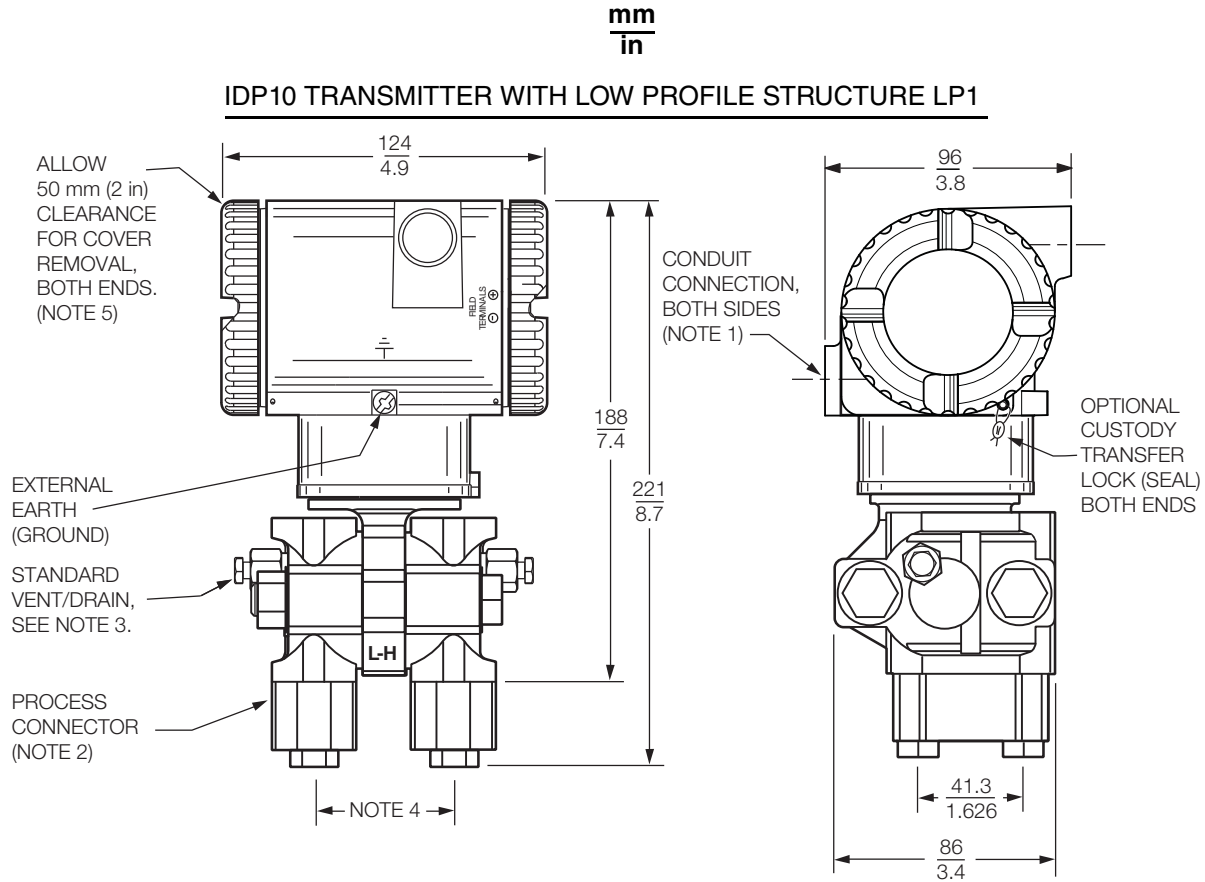


NOTES:

1. CONDUIT CONNECTION 1/2 NPT, PG 13.5, OR M20, BOTH SIDES-: PLUG UNUSED CONNECTION WITH METAL PLUG (SUPPLIED).
2. PROCESS CONNECTORS MAY BE REMOVED AND TRANSMITTER MOUNTED DIRECTLY ON A MANIFOLD, OR CONNECTIONS MADE DIRECTLY TO PROCESS COVER USING 1/4 NPT INTERNAL THREAD IN PROCESS COVER.
3. PROCESS COVER CAN BE INVERTED MAKING OPTIONAL SIDE VENTS OR SIDE DRAINS
4. PROCESS CONNECTORS CAN BE INVERTED TO GIVE EITHER 51, 54, OR 57 mm (2.0, 2.125, OR 2.25 in) CENTER-TO-CENTER DISTANCE BETWEEN HIGH AND LOW PRESSURE CONNECTIONS.
5. TOPWORKS CAN BE ROTATED TO ANY POSITION WITHIN ONE TURN COUNTERCLOCKWISE OF THE FULLY TIGHTENED POSITION.
6. PROCESS COVER END PLUGS ARE SUBSTITUTED FOR VENT SCREWS WHEN OPTIONAL SIDE VENTS (NOTE 3) ARE SPECIFIED.

PROCESS CONNECTOR TYPE 7 AND DIN CONSTRUCTION OPTIONS



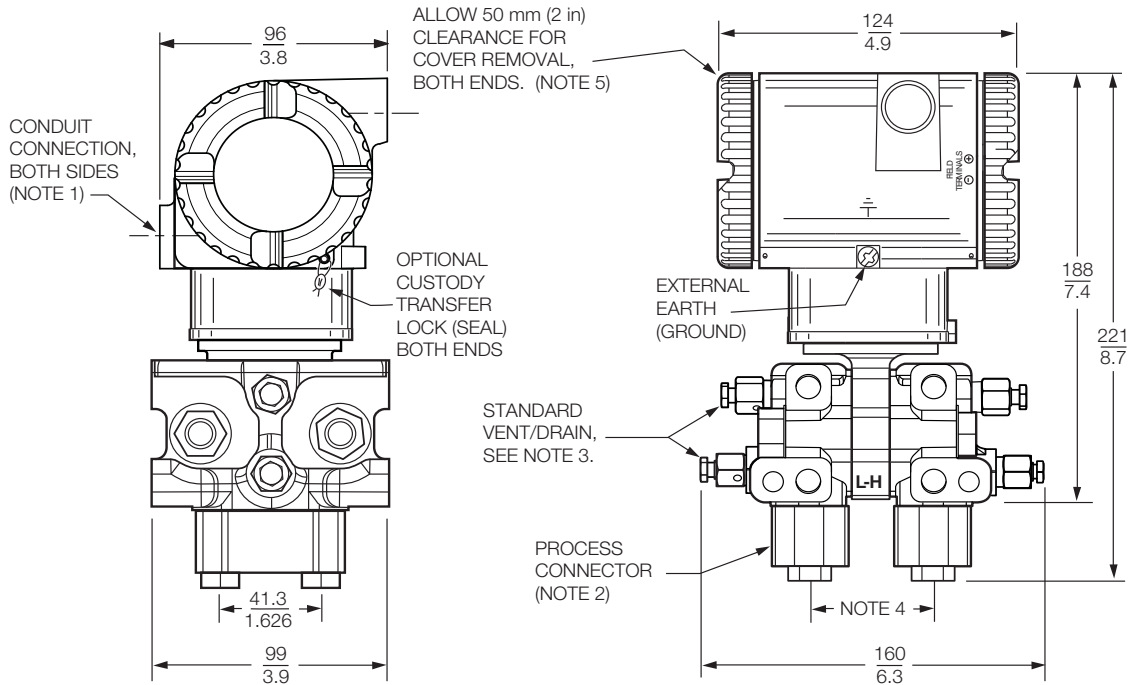


NOTES:

1. CONDUIT CONNECTION 1/2 NPT, PG 13.5, OR M20, BOTH SIDES: PLUG UNUSED CONNECTION WITH METAL PLUG (SUPPLIED).
2. PROCESS CONNECTORS MAY BE REMOVED AND TRANSMITTER MOUNTED DIRECTLY ON A MANIFOLD, OR CONNECTIONS MADE DIRECTLY TO PROCESS COVER USING 1/4 NPT INTERNAL THREAD IN PROCESS COVER.
3. THE TRANSMITTER'S LOW PROFILE STRUCTURE LP1 IS SHOWN IN THE VERTICALLY UPRIGHT POSITION. NOTE THE LOCATION OF THE STANDARD VENT/DRAIN SCREW. IN THIS CONFIGURATION THE TRANSMITTER CAN BE VENTED OR IS SELF-DRAINING. ALSO RECOMMENDED IS A HORIZONTAL INSTALLATION WHERE THE INSTALLED ORIENTATION CAN BE SET TO ALLOW FOR VENTING OR DRAINING.
4. PROCESS CONNECTORS CAN BE INVERTED TO GIVE EITHER 51, 54, OR 57 mm (2.0, 2.125, OR 2.25 in) CENTER-TO-CENTER DISTANCE BETWEEN HIGH AND LOW PRESSURE CONNECTIONS.
5. TOPWORKS CAN BE ROTATED TO ANY POSITION WITHIN ONE TURN COUNTERCLOCKWISE OF THE FULLY TIGHTENED POSITION.

$\frac{\text{mm}}{\text{in}}$

IDP10 TRANSMITTER WITH LOW PROFILE STRUCTURE LP2

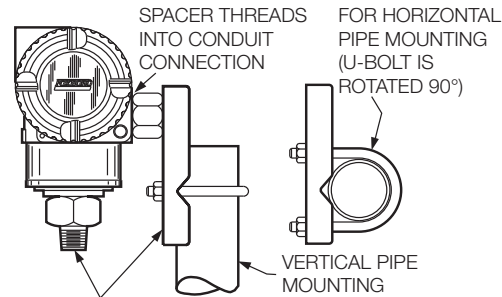


NOTES:

1. CONDUIT CONNECTION 1/2 NPT, PG 13.5, OR M20, BOTH SIDES: PLUG UNUSED CONNECTION WITH METAL PLUG (SUPPLIED).
2. PROCESS CONNECTORS MAY BE REMOVED AND TRANSMITTER MOUNTED DIRECTLY ON A MANIFOLD, OR CONNECTIONS MADE DIRECTLY TO PROCESS COVER USING 1/4 NPT INTERNAL THREAD IN PROCESS COVER.
3. THE TRANSMITTER'S LOW PROFILE STRUCTURE LP2 IS SHOWN IN THE RECOMMENDED VERTICAL UPRIGHT POSITION. NOTE THE STANDARD VENT OR DRAIN SCREWS. HORIZONTAL INSTALLATIONS ARE NOT RECOMMENDED.
4. PROCESS CONNECTORS CAN BE INVERTED TO GIVE EITHER 51, 54, OR 57 mm (2.0, 2.125, OR 2.25 in) CENTER-TO-CENTER DISTANCE BETWEEN HIGH AND LOW PRESSURE CONNECTIONS.
5. TOPWORKS CAN BE ROTATED TO ANY POSITION WITHIN ONE TURN COUNTERCLOCKWISE OF THE FULLY TIGHTENED POSITION.

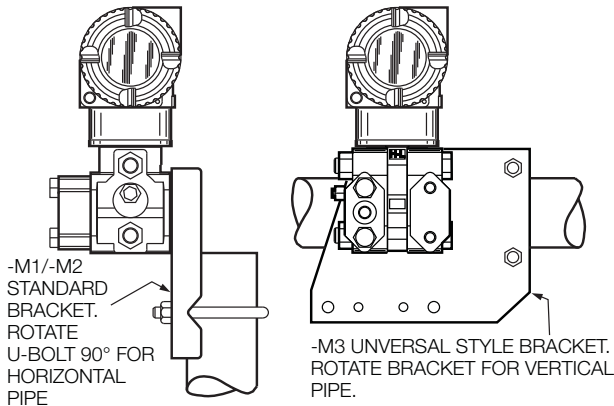
mm
in

IAP10/IGP10 WITH OPTIONS -M1 TO -M6

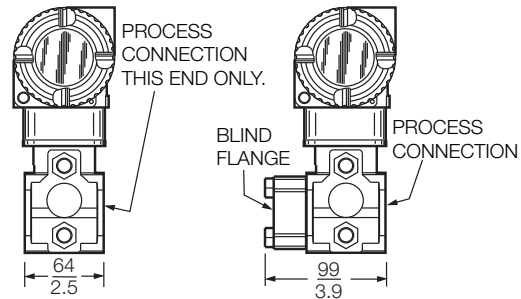


MOUNTING BRACKET REQUIRED WHEN USING 1/4 NPT INTERNAL PROCESS CONNECTION THREAD.

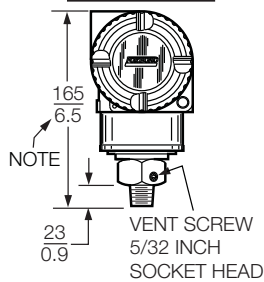
IAP20/IGP20/IDP10 WITH OPTIONS -M1, -M2, AND -M3



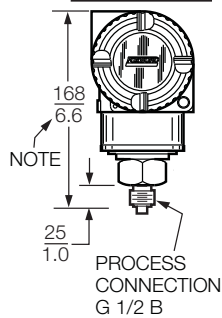
IAP20/IGP20/IDP10 WITH OPTIONS -D1, -D3, -D5, -D7, -D9 -D2, -D4, -D6, -D8



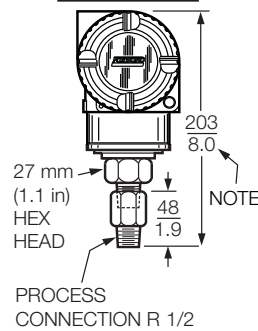
IAP10/IGP10 OPTION -V1



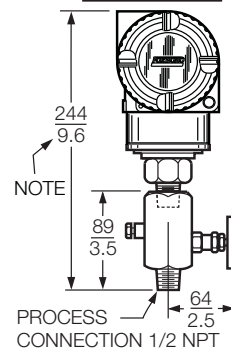
IAP10/IGP10 OPTION -G



IAP10/IGP10 OPTION -R



IAP10/IGP10 -V2, -V3, -V4



NOTES

1. FOR FLAMEPROOF TRANSMITTERS, ADD 28 mm (1.1 in) TO OVERALL HEIGHT DIMENSION.
2. REFER TO DIMENSIONAL PRINT DP 020-447 (AP AND GP) AND DP 020-446 (DP) FOR FURTHER INFORMATION.

NOTES



ORDERING INSTRUCTIONS

1. Model Number(s) as follows:
 - Transmitter only if pressure seals are not selected
 - Both transmitter and pressure seals if pressure seals are selected with traditional structure. See PSS 2A-1Z11 A.
2. Calibrated Pressure Range (using Allowable Pressure Units from the table below).

inH ₂ O	inHg	kPa	mbar	kg/cm ²
ftH ₂ O	mmHg	MPa	bar	psi
mmH ₂ O	Pa	torr	g/cm ²	atm

3. Configuration Data Form when Factory Calibration Option -C2 is specified.
4. Options and Accessories not in Model Code (see PSS 2A-1Z9 E).
5. User Tag Data - Data Plate; 32 characters maximum. For additional tag data, specify Optional Supplemental Tag -T.

OTHER FOXBORO PRODUCTS

The Foxboro product lines offer a broad range of measurement and instrument products, including solutions for pressure, flow, analytical, temperature, positioning, controlling, and recording. For a list of these offerings, visit our web site at:

www.fielddevices.foxboro.com