

# STP660 Water Temperature Sensor



## Features

- Adjustable telescopic probe
- Fast response time
- Passive thermistor device
- IP 65 protection class
- Simplified installation
- Minimal commissioning
- Variety of pockets / thermowells
- Pocket adaptor suitable for retrofits

## Product Description

The STP660 simplifies product selection and improves control loop performance with its unique probe assembly. The shaft is simply extended and inserted into the pocket, ensuring a good contact.

The STP sensor can be used with a vast range of other manufacturers' pockets when used in conjunction with the pocket adaptor DWA0001. The use of the adaptor avoids system drain downs and costly down time.

The STP660 has a 7-second response time, making it the optimum choice for economic control solutions.

This sensor is available with the standard 'Satchwell' temperature sensor output characteristic.

## Available Products

Part Number	Model Number	Description	System
5126080000	STP660	Pipe Temperature Sensor with Telescopic Probe	Satchwell

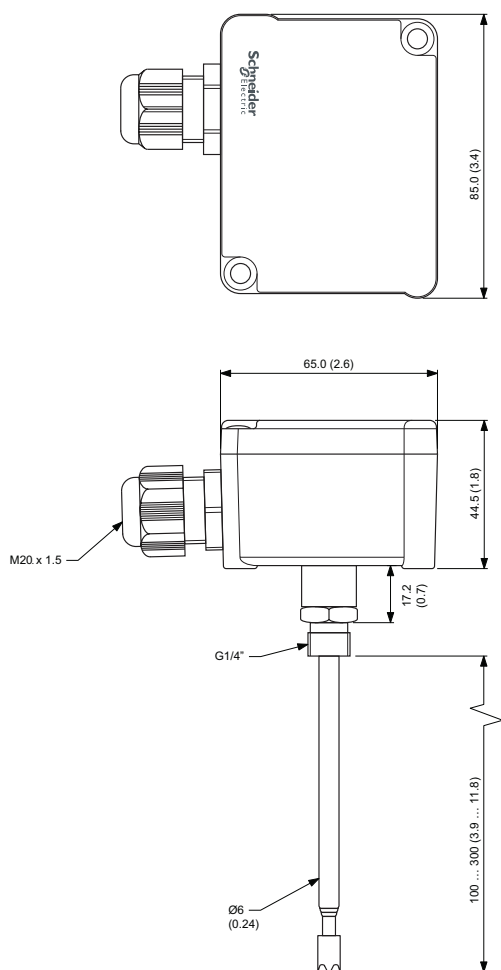
## Accuracy

At Temperature	Accuracy
-25 °C (-13 °F)	±0.6 °C (±1.0 °F)
0 °C (32 °F)	±0.3 °C (±0.5 °F)
25 °C (77 °F)	±0.2 °C (±0.4 °F)
50 °C (122 °F)	±0.2 °C (±0.4 °F)
75 °C (167 °F)	±0.3 °C (±0.5 °F)
100 °C (212 °F)	±0.3 °C (±0.5 °F)

## Specifications

Mounting	Immersion
Probe Length	100 ... 300 mm (3.9 ... 11.8 in.)
Resistance at 25 °C	5502 Ω
Temperature Sensing Range	-10 ... 120 °C (14 ... 248 °F)
Compatible Controllers	BAS, CSC, CSMC, CXR, CXT, CZT, IAC, KMC, MMC, Satchwell MicroNet, Satchwell S (Sigma)
Protection Class	IP 65
Sensing Element	Negative temperature coefficient thermistor
Characteristics	Non-linear
Time Constant	7 seconds
Wiring	2-wire non-polarised low voltage DC (Safety Extra Low Voltage (SELV))
Ambient Temperature	-40 ... 70 °C (-40 ... 158 °F)
Storage Temperature	-40 ... 55 °C (-40 ... 131 °F)
Ambient Humidity	0 ... 95% RH
Storage Humidity	0 ... 95% RH
Probe Material	Chromium plated brass
Terminals	Terminal block accepts 2 × 1.5 mm <sup>2</sup> wires; larger sizes not recommended
Accessories	DWA0001 brass pocket adaptor DWA0002 immersion pocket, 120 mm (4.72 in.), stainless steel DWA0003 immersion pocket, 200 mm (7.87 in), brass DWA0004 immersion pocket, 200 mm (7.87 in), stainless steel DWA0005 immersion pocket, 120 mm (4.72 in.), brass

### Dimensions mm (in.)



### Wiring

