

# EcoStruxure Modular Data Center – ISO 20’

## 14 KW / 50Hz All in One Datacenter Module

### Technical Specification

Version 3.1



**Project name:** EDGE BASE DESIGN  
**Customer** 0  
**Date** 22/04/2021

**BFO #** PFMICP014F1R004B  
**Revision** 1



# Table of Contents

1	Introduction.....	4
1.1	Context .....	4
1.2	Main benefits .....	4
1.3	Scope of work.....	4
2	Prefabricated Datacenter.....	5
2.1	Introduction .....	5
2.2	Concept and Dimensions for Prefabricated Module.....	5
2.2.1	Prefabricated Solution for 4 Racks.....	5
2.3	Structural design.....	6
2.3.1	ISO shipping container .....	6
2.3.2	Wall design .....	7
2.3.3	Floor .....	7
2.3.4	Doors .....	8
2.3.5	Cable Glands.....	9
2.3.6	Air Renovation System (optional).....	9
2.4	Technical Specifications .....	10
2.4.1	Shock-load.....	10
2.4.2	Wind load.....	10
2.4.3	Roof load .....	10
2.4.4	Floor load.....	10
2.4.5	External temperature range.....	10
2.4.6	Internal environmental conditions.....	10
2.4.7	Fire resistance .....	10
2.4.8	Painting.....	10
2.5	Mounting Pad support.....	11
2.6	Lifting elements.....	11
3	Electrical System .....	12
3.1	Conceptual Single Line Diagram .....	12
3.2	Components .....	12
3.3	Room Power Distribution .....	13
3.3.1	Benefits.....	13
3.4	Grounding.....	14
4	Monitoring System.....	15
4.1	EcoStruxure IT Expert .....	15
4.2	Environmental Monitoring.....	16
5	Fire Suppression System.....	18
5.1	Fire Control Panel.....	18
5.2	Smoke Detector .....	19
5.3	Extinguishing system.....	19

5.3.1	NOVEC 1230.....	19
6	Cooling .....	21
7	Easy UPS 3S - Uninterruptible Power Supply (UPS)..	23
7.1.1	Technical Specifications .....	24
8	Racks - NetShelter SX/SV .....	27
8.1	Rack Power Distribution .....	30
8.1.1	Cable Management .....	33
8.1.2	Rail System .....	33
9	Exclusions .....	34

# 1 Introduction

## 1.1 Context

The purpose of the document is to introduce and present the technical specification of the EcoStruxure Modular Data Center 13,6 kW All in One Datacenter Module offered by Schneider Electric.

EcoStruxure Modular Data Center solution provides a fully functional Data Center inside a regular ISO container with complete infrastructure including: cooling, power, structural protection, fire protection, monitoring, access control, etc., within a secure environment design, comprising a modular and flexible approach.

This solution consists of a constructive solution of equivalent quality to a proper room dedicated to IT, including the entire necessary infrastructure.

The environment has been designed to provide the following qualities:

- Usability for IT and technical operations
- Security: Mechanical, Electrical, Cooling
- High quality, robust structure
- Reduced time to acquire and deploy

## 1.2 Main benefits

Prefabricated Datacenter Modules are the latest trend in the datacenter industry intended to decrease the time to acquire and deploy new datacenter capacity, improve the predictability and reliability of a new datacenter build and reduce upfront and ongoing capital expenditures.

All equipment in the proposed module are pre-installed and tested in our factories, reducing on-site construction risks and reducing time allocated for site works and commissioning.

Schneider Electric is a market leader in the data center business worldwide with complete integrated solutions including prefabricated modules, electrical distribution, cooling and IT space. Our installed base gives us a thorough knowledge of data center market evolution, future needs and an understanding of business challenges.

## 1.3 Scope of work

### **This proposal covers a complete prefabricated module**

This document mainly covers the following topics:

- Enclosure structure and design
- UPS
- Electrical distribution
- Cooling
- IT Infrastructure (Racks, rack and row level power distribution)
- Fire suppression and detection
- Monitoring

## 2 Prefabricated Datacenter

### 2.1 Introduction

The following proposal is for an All in One prefabricated Module that is a separate prefabricated structure. This module provides the complete functionality for a 13,6 KW Datacenter environment providing power, cooling, and access for an IT environment.

### 2.2 Concept and Dimensions for Prefabricated Module

#### 2.2.1 Prefabricated Solution for 4 Racks



Solution for 4 racks includes:

- 1 x ISO Container: 20' (6.1m) x 8' (2.4m) x 9'6" (2.9m) (LxWxH)
- Uninterruptible Power Supply – Easy UPS 3S 15KVA
- Busbar Canalis distributing power to each IT rack.
  - Input Voltage 400 VAC, Output Voltage 400 VAC
- Electrical configuration
  - General power, lights and HVAC on non-critical power
  - IT racks on UPS power (UPS Easy UPS 3S 15KVA)
- Cooling
  - (2) UCA 0481, N+1 configuration
  - See cooling description for external condensers rated temperature ambient
  - Humidifier with controller - Not included
- Racks – NetShelter SX Enclosures
  - (4) [[Value not found]] - [[Value not found]] (WxDxH),
- METERED Rack PDU – (4) AP8858EU3 - Rack PDU 2G, Metered, ZeroU, 16A, 230V, (18) C13 & (2) C19, IEC309 Cord
- Netbotz 750 environmental monitoring system monitoring the following

- Internal temperature
  - Internal humidity
  - Leak detection
  - External Door Status
  - Security camera monitoring
- Automatic fire extinguishing system
  - Cable glands for power, refrigerant piping, and fiber entrance into the module

**Options:**

- Automatic transfer switch included for generator input as optional

## 2.3 Structural design

The EcoStruxure Modular Data Center is made of an external ISO 20' High Cube container with insulated panels inside. It combines the strength, resistance and protection of the ISO container with the special features of the insulated panels to provide the right Data Center environment.

### 2.3.1 ISO shipping container

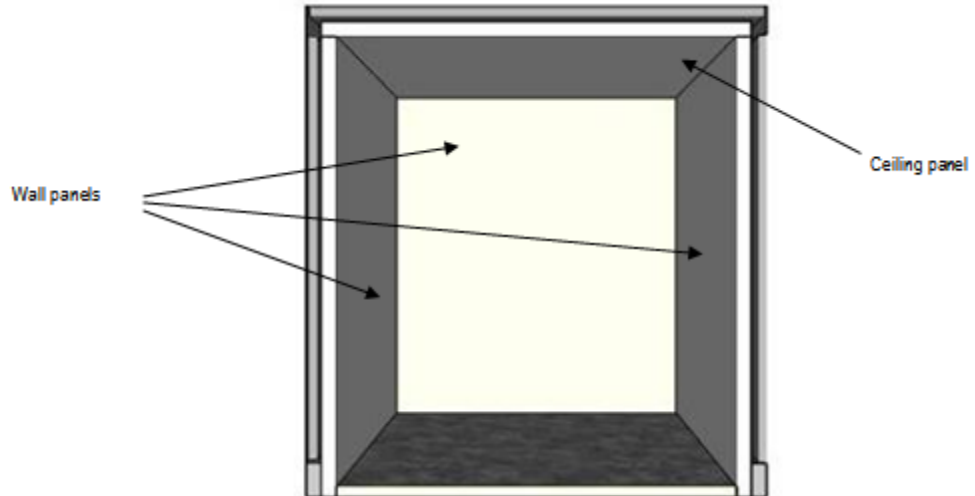
The ISO shipping container is a standard 20', durable closed steel box constructed for heavy loads that can be easily handled and moved. The external height of a Standard High Cube shipping container is 9 ft. 6 in. (2896mm).

External dimensions <sup>(1)</sup>	Imperial	Metric
Length	20'	6.058 mm
Width	8'	2.438 mm
Height	9'6"	2.896 mm

<sup>(1)</sup> 2% tolerance

### 2.3.2 Wall design

EcoStruxure Modular Data Center offers high levels of thermal and fire protection. Rockwool panels close the area inside the container providing a clean area proper for a



DC.

Panels will be installed on the walls and ceiling and will be composed by a sandwich of materials with fire resistance and thermal insulating to resist high temperatures and provide a watertight enclosure. The sandwich will be covered by one layer of galvanized steel sheet (0,6 mm), joined by continuous weld panel to panel.

#### Main features:

- Thickness: 60 mm = 2.4"
- Weight: 15,4 kg/m<sup>2</sup> = 365,4 lb/ft<sup>2</sup>
- Thermal resistance, K1 (panel): 0,592 W/m<sup>2</sup>K
- R-Value, R1 = 9,6 h·ft<sup>2</sup>·°F/Btu
- K2 (container + panel): 0,402 W/m<sup>2</sup>K
- R-Value (container + panel), R2 = 14,1 h·ft<sup>2</sup>·°F/Btu
- Fire resistance: EI60, per EN 13501-2

Final Inner dimensions <sup>(1)</sup>	Imperial	Metric
Length	223"	5.670 mm
Width	87"	2.200 mm
Height	102"	2.600 mm

<sup>(1)</sup> 2% tolerance

### 2.3.3 Floor

The 20' ISO container is equipped with 1- 1/8" (28.6 mm) thick marine plywood flooring on the interior. The finished floor is metal diamond plate.

## 2.3.4 Doors

The EcoStruxure Modular Data Center includes two EI90 standard door. This door fulfills all regular requirements and requirements as an emergency exit. It is made of steel and is painted and protected against rust.

Doors are RC2 break-in resistance level in accordance with EN 1627/1630.

All Doors supplied with:

LEAF	
Steel plate finishes	1,2 mm
High-density fiberboard for fire protection with EI 90	60 mm
<b>Total thickness</b>	<b>63 mm</b>
FRAMEWORK	
Steel profile	1,5 mm
Intumescent seal	1,9 mm
FITTINGS & MECHANISMS	
Steel bearing hinges	3 u
PVC & steel handle with lock door	
Electric strike	
Quick push panic bar	
Self-closing system	

### Main Door Dimensions:

	Simple door	
	Width	Height
<b>External dimensions</b>	1.280 mm 50,4"	2.380 mm 93,7"
<b>Internal dimensions</b>	1.100 mm 43,3"	2.200 mm 86,6"

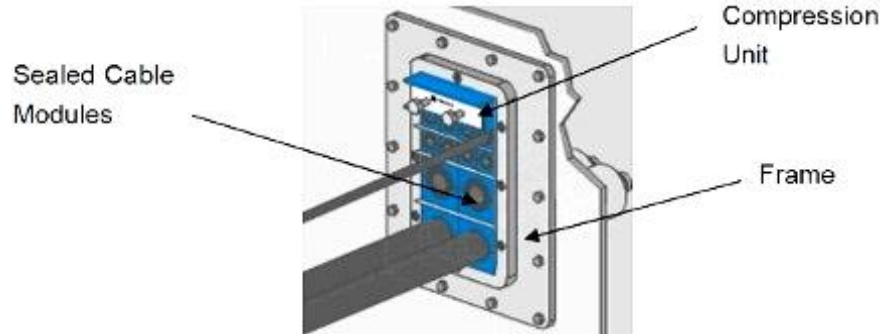
### Emergency Door Dimensions:

	Simple door	
	Width	Height
<b>External dimensions</b>	1.080 mm 42,5"	2.380 mm 93,7"
<b>Internal dimensions</b>	900 mm 35,4"	2.200 mm 86,6"



### 2.3.5 Cable Glands

Roxtec cable glands will be installed at all cabling and piping interface points that enter or exit the module. Cable glands provide thermal, fire, and water protection for the module. The cable gland is easily configurable to adapt to the number and dimensions of cables and pipes that enter the module since it uses a compression unit inside of frame.



### 2.3.6 Air Renovation System (optional)

The Air Renovation System (ARS) is a ventilation unit designed to meet air renovation requirements to comply with local regulations in containerized Data Centers where IT equipment and UPS batteries are installed.

To provide the proper airflow, an EC fan intake outside air via a grille attached to G3 filter. In accordance with ASHRAE 62.1, Indoor Air Quality Control, minimum G3/ MERV. 6.

	RA1-50		
	1	2	3
Speed			
Supply voltage, 50/60 Hz [V]	1~100-230		
Power [W]	3,8	3,96	5,61
Max. current consumption [A]	0,024	0,026	0,039
Max. air capacity [m3/h]	14	28	54
RPM [min-1]	610	800	1450
Sound pressure level at 1 m distance [dB(A)]	22	29	32
Sound pressure level at 3 m distance [dB(A)]	13	20	23
Outdoor sound pressure attenuation [dB(A)]*	18		
Max. transported air temperature [°C]	from -20 up to + 50		
Regenerating efficiency	<=d90 %		

Regenerator type	Ceramic
Air duct size [mm]	Ø150
Ingress Protection	IP 24

\* The outdoor sound pressure attenuation was measured by comparing the indoor sound pressure level in an open-air duct inside the wall and the indoor sound level with the ventilator built inside the wall.

## 2.4 Technical Specifications

The module is designed to provide a controlled environment suitable for equipment and personnel. The units will be capable for delivery and installation on site without any permanent deformation or failure.

### 2.4.1 Shock-load

Building module units can withstand normal transportation conditions before installation on the site, without deformation or damage.

### 2.4.2 Wind load

The module can withstand non-sustained wind speeds up to 111,5km/h (Level 11).

### 2.4.3 Roof load

The module can withstand roof loads up to 145kg/ m<sup>2</sup>

### 2.4.4 Floor load

The module can withstand floor loads up to 1.000kg/m<sup>2</sup> across the entire floor structure. Specific bracing for heavy components such as battery cabinets is provided.

### 2.4.5 External temperature range

See below cooling technical specifications

### 2.4.6 Internal environmental conditions

The internal conditions will maintain ASHRAE TC 9.9 recommended temperature and humidity ranges.

### 2.4.7 Fire resistance

1 hour fire resistant construction for enclosure walls, roof, and doors is provided.

### 2.4.8 Painting

ISO 20' Enclosures have two primer epoxy and two final polyurethane coats in a RAL 9003 standard color. This surface treatment provides C3 corrosion protection with medium durability (5 to 15 years).

Per ISO 12944 standard, a C3 protection works well in exterior environments with average sulfide oxide (IV) contamination level, inshore areas of low salinity and interior environment with high humidity and certain air contamination.

## **2.5 Mounting Pad support**

The module must be placed on a foundation with continuous support for the perimeter walls. The foundation must be level and engineered to support the final total load of the installed and operational module.

## **2.6 Lifting elements**

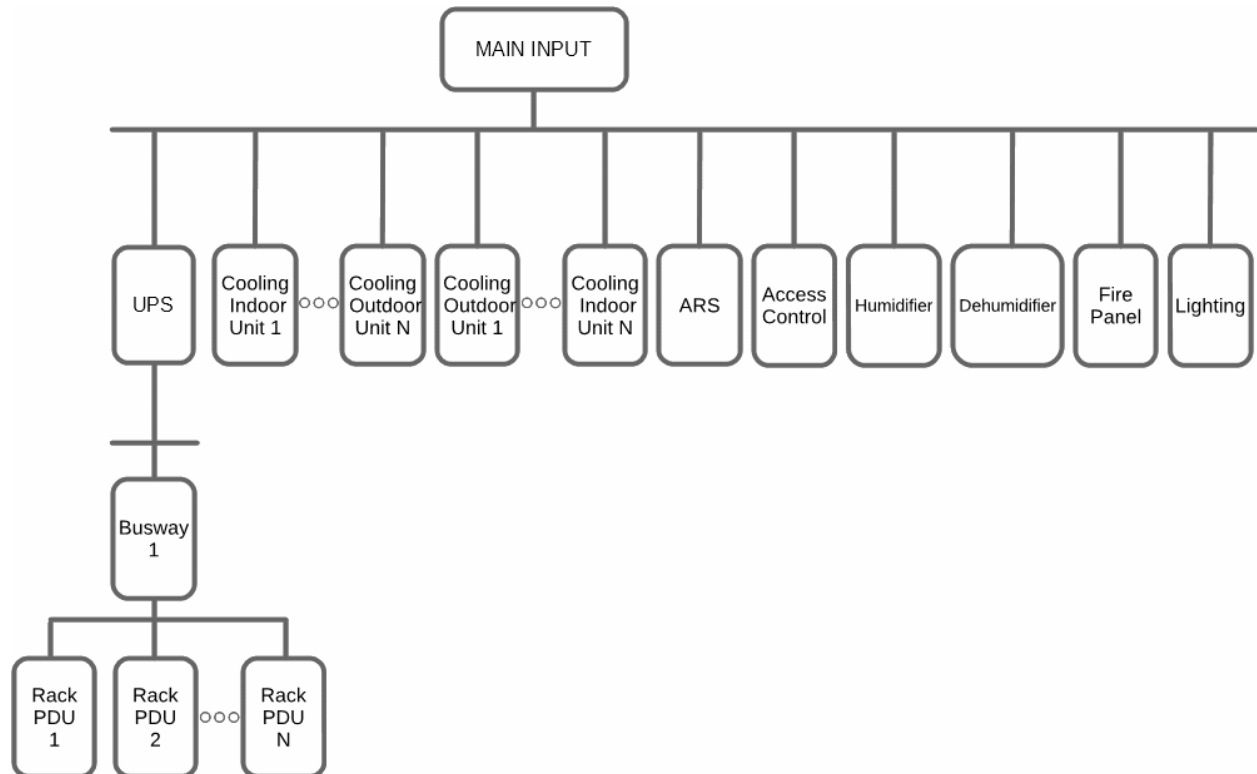
Module is equipped with appropriate lifting points.

- Lift top corner fittings vertically by means of spreaders fitted with hooks, shackles or twist locks
- Lift at bottom corner fitting using slings with terminal fittings at any angles between vertical and 45 degrees to the horizontal.

### 3 Electrical System

Following is the description of the electrical system provided inside the module.

#### 3.1 Conceptual Single Line Diagram



#### 3.2 Components

- **Main Input Panel:** (N) 400V three-phase electrical panel, TN-S type, construction type. Panel incorporates 1 main input. The panel will feed all the equipment in the module as well as the condenser for the air conditioners located outside the module. The main panel includes a PM 5100 power meter and Modbus gateway for external access.
- **Uninterruptable Power System:** (N) Easy UPS 3S 15KVA Part # E3SUPS15KHB2
- **Busway Power Distribution:** (N) Canalis Busway KS series, providing power distribution from the UPS to each rack
- **Rack PDU:** (4) AP8858EU3 Rack PDU 2G, Metered, ZeroU, 16A, 230V, (18) C13 & (2) C19, IEC309 Cord
- **Main Power Cabling:**
  - (N) Power line from Main Switch Panel to UPS input
  - Internal cabling for maintenance bypass
  - Connection to Busway Distribution Unit from the UPS section

- Power connection to the racks from the integrated breakers included in the busway power distribution unit.
- (2) Power lines to Overhead Air Conditioners
- Power lines to all internal support equipment
- **Lighting:**
  - LED Light Fixtures providing 300 lux are installed in each aisle in the rack space.
- **Emergency lighting:**
  - (1) Schneider Exit Sign/Emergency lighting block mounted above each door

### 3.3 Room Power Distribution

Canalis KS is medium power trunking busbar system for amperages up to 1000A. A single busway distribution bus is provided to distribute power from the UPS provided in the module to each equipment rack (a 2N power distribution busway can be optionally provided.) The Canalis busway system is a modular and upgradeable system, with quick assembly and installation. Canalis components are light and easy to handle and expose no live parts to the user for a safe and convenient experience



#### Technical characteristics

- Busbar trunking rated current: 100 to 1000A
- Tap-off units rated current: 16 to 400A
- Number of active conductors: 4+PE
- Rated insulating voltage: 690V
- Protection index: IP55
- Length of busbar trunking sections: 3m and 5m
- Surface treatment: white RAL 9001
- Regulations: compliant with IEC 61439-1 & 6

#### 3.3.1 Benefits

- Modular and upgradeable system
- Quick and easy assembly
- Flexible: possibility to install a new plug-in unit right where it is needed and without power interruption

#### Safety

- A fool-proofed system avoids a unit being installed or removed under load
- Live parts are totally inaccessible
- Tap-off units fully compatible with Canalis KT

- Light and easy to handle
- Excellent contacts: a life time guarantee
- Comprehensive range of light, strong and stylish plug-in units
- Halogen free: no emission of any fumes or toxic gases in the event of fire
- High protection index IP 55 for all types of buildings
- Dismantled, re-used and entirely recyclable

### 3.4 Grounding

The module includes an integrated grounding system. The customer will supply a ground from the external system to a grounding bar on the outside of the module. All internal components will be grounded to this bar via the internal electrical system. The module is designed to connect to a TN-S type grounding system.

## 4 Monitoring System

The Data Center Module will be provided with an integrated monitoring system that will monitor the status of the module and report the overall health and any alarms associated with the equipment inside the module.

### 4.1 EcoStruxure IT Expert

EcoStruxure IT Expert provides an efficient way for distributed IT and local edge organizations to monitor their power and cooling multi-vendor physical infrastructure equipment. Real-time monitoring, benchmarking, assessment, and instant fault notification and escalation provide the visibility and insights you need to proactively manage your IT infrastructure. This open and flexible central repository of critical information can be accessed by multiple users, and your preferred partner, from anywhere on the network, allowing quick resolution of critical infrastructure events that can adversely affect IT system availability. With the power of the cloud, you can make data-driven decisions, react to abnormal device behavior before it becomes an issue, and run analytics that will help you focus on what matters.

#### Adaptability

- **Extendable architecture** - Available node and application license keys extend the capabilities of the platform allowing it to grow to meet changing business needs.

#### Agility

- **Automatic updates and backups** - Updates and backups are automatically applied to always provide the most current solution.
- **Private networking** - Reduce IP addresses needed on the public network to manage devices, by placing them on an isolated secure network.
- **Auto-discovery** - Reduces the time needed to install and deploy physical infrastructure devices by automatically detecting manageable devices on your network.

#### Availability

- **Graphical trending analysis** - Access current and historic data for any device or group of devices. Plot and graph multiple data points in a logical correlation to visualize potential hazardous trends.
- **Centralized Alert Repository** - Access historical alerts from several appliances through one central database. Sort alerts by type, date, appliance, and/or device group.
- **Custom reporting** - Create, save and schedule user-defined reports for ease of data collection, distribution and analysis.

#### Manageability

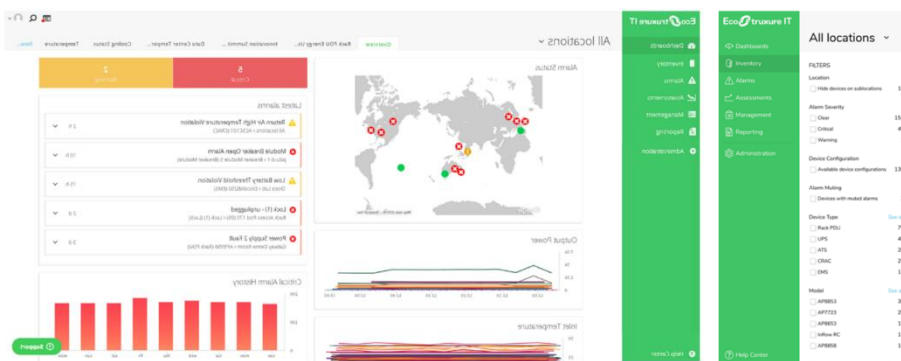
- **Unified console** - Customizable Windows and Linux client application enables instant access from any browser or mobile device

- **Event Notifications** - Receive real-time event notifications that minimize response times to critical physical infrastructure situations, reduce mean time to repair, improve efficiency, and maximize uptime.
- **Centralized Inventory Management** - Obtain Immediate and detailed visibility of all physical infrastructure devices by geography or customizable location.
- **Cloud-based monitoring** - Maintain uptime for local edge and distributed environments and check the status of your physical infrastructure equipment from a centralized view, ensuring peace of mind whether onsite or remote.
- **Alarm Consolidation** - Reduces erroneous alarms and decreases MTTR by detecting the root cause in minutes.
- **Assessment** - Determine patterns of healthy behavior and provide a scorecard using analytics and machine learning to identify which devices require attention.
- **Benchmarking** - Compare your devices performance against the total population of similar devices in the industry.
- **Multi-vendor device support** - Extensive multi-vendor support for monitoring networked SNMP, MODBUS and Redfish devices. Enables visibility of devices through threshold alert notifications, data trending and reporting.

## Protection

- **Remote monitoring support** - Web-based service that serves as a second set of eyes into the health of a company's physical infrastructure. Experienced professionals work non-stop to provide 24-hour monitoring and to help diagnose problems before they become critical.
- **Encrypted communications** - 2048-bit RSA certificate and data is encrypted in transit using 256 bit AES encryption. EcoStruxure IT Gateway uses an outbound connection through Port 443, and only communicates to EcoStruxure IT cloud using 40.84.62.190 and 23.99.90.28.

## 4.2 Environmental Monitoring



The NetBotz 750 offers an active monitoring solution designed to protect against environmental threats and unauthorized access risks that can cause downtime to IT infrastructure, in both Edge



Compute and Data Center environments. With its integrated suite of sensors, access control pods, and the newly introduced HD Camera Pod 165, the NetBotz 750 safeguards environments with surveillance and flexible alerting based on user-definable thresholds. Compute is quickly moving closer to where it is used at the Edge, increasing the risks of water damage, high temperature & humidity, fire or other conditions bringing down business-critical applications. Intentional or malicious access events not only threaten compute availability, but also leave enterprises vulnerable to costly compliance violations. The NetBotz 750 provides integrated sensing, surveillance, and badged rack-access control to help mitigate these risks through a wide array of compatible sensors, camera clip capture and storage, and configurable alarming

The Netbotz 750 system will monitor the following information inside the module:

- (1) Temperature point mounted on the front of each rack
- (1) Humidity level in the cold aisle
- Status of all the external doors
- Security cameras at each external door location
- Dry contact alarm status on the fire panel

## 5 Fire Suppression System

The fire protection system is designed to prevent, detect and extinguish possible fires inside the rooms. This will be an automatic system innocuous for people, goods and friendly environment. It will include the following equipment:

- Fire Control Panel
- Smoke Detection System (optional)
- Fire extinguishing system based on Novec 1230

### 5.1 Fire Control Panel



The fire panel controls the fire detection and extinguishing system. The panel can monitor two distinct areas, can trigger at least 2 levels of alarms, and incorporate a delay to evacuate the room before activating the extinguishing system. The system can also be activated by a manual switch attached to the panel.

This solution will implement a Honeywell Notifier RP1R Supra fire panel with following features:

- Compact and dual microprocessor central
- Easy configuration via micro switches
- Two conventional detection zones for detectors, and a third configurable for auto or manual trigger button
- Stop push button and extinction wait button
- Day / Night function with configurable delay (30 - 300 sec.) And inspection time (1 - 10 min.0
- Possible delays disabled from the keyboard
- Flow switch inputs, low pressure, monitoring door open
- Two extinction circuits, the extinction circuit 2 can be independent for pre-activation
- Countdown timer indicating the seconds left to extinction
- 40 LED display for quick identification the event
- Relays for: warning, alarm in the process of extinction, extinction canceled, extinction circuit failure, and fault relay
- Operating mode: automatic, manual and canceled
- Dry contact input for remote programmable actions as: reset the system, evacuation, mute or delay On / Off
- Removable terminal blocks in all connections
- PC state visualization software with optional remote connection
- Complies with European standards EN54-2/4 and EN12094 / 1:2003
- CE marked

(Additional control panels and features available upon request)

## 5.2 Smoke Detector

Model SD-851E photo-electronic detectors use state-of-the-art optical sensing chambers. The ability to plug these detectors into a variety of base options extends panel compatibility and application flexibility. These detectors are designed to provide open area protection and are only to be used with compatible control panels.

A bicolor LED on each detector lights red to provide a local visible alarm indication, and may also be set to flash green to indicate correct operation of the detector.

## 5.3 Extinguishing system

The automatic fire extinguishing system will be able to extinguish the fire quickly using clean extinguishing agents that don't damage the equipment to be protected. The gas release will be ordered by the fire panel at the second alarm level and once the timeframe expires. Gas can also be released manually in case the automatic system fails. Cylinders will be made of alloy steel Cr-Mo forged, seamless, with subsequent heat treatment of quenched and tempered. The system includes leakage control pursuant to regulation 842/2006/CE.

System is design with approval Transportable Pressure Equipment Directive. Hydraulic test pressure 250bar.

### 5.3.1 NOVEC 1230

NOVEC 1230 suppress fire is used in specific hazards or equipment located where an electrically nonconductive agent is required, where agent cleanup creates a problem, where extinguishing capability with low weight is a factor and where the hazard is normally occupied by personnel.

NOVEC 1230 is intended to protect the following installations:

- Petrochemical Installations
- Data Centers
- Gas Turbines
- Steam Turbine Generators
- Railway Traffic Controls
- Power Generation Plants
- Electrical Equipment
- Printing Facilities
- Electric Furnaces
- Food Packaging Facilities

**Features:**

- People safe at concentration levels required to suppress fire
- Zero ozone depletion potential
- Atmospheric lifetime of five days

- Colorless, with low odor with no particulate or oily residue allowing for minimal business disruption after a discharge
- Electrically non-conductive
- Space saving; quantity of NOVEC 1230 fluid needed to suppress fires typically required minimal cylinders, thus minimal space required.

**Properties:**

- Chemical name Dodecafluoro-2-methylpentan-3-one
- Chemical formula  $\text{CF}_3\text{CF}_2\text{C}(\text{O})\text{CF}(\text{CF}_3)_2$
- Compliance with ISO 14520, UNE 23570 and NFPA 2001 FK-5-1-12
- Molecular weight 316.04
- Boiling point at 1.013 bar 49.20 C
- Liquid density at 200 C 1,616 g/ml
- Critical temperature 168.660 C
- Critical pressure 18.646bar
- Vapor pressure at 200 C 0.3260bar
- Relative electrical resistance at 1atm. 250 C (N2=1.0) 2.0
- Maximum filling density 1.48 kg/l
- Design concentration for heptane 5.9%
- Flooding factor for heptane at 200C 0.8723kg/m<sup>3</sup>
- Design concentration for surface fires class A 5.3%\*
- Flooding factor for surface fires class A 0.7786kg/m<sup>3</sup>
- NOAEL 10%
- LOAEL >10%
- Ozone depletion potential 0
- Greenhouse effect potential 1

\*According to ISO 14520

**Approvals:**

NOVEC 1230 fluid is approved by the EPA and NFPA for use in fire suppression systems.

Gas, pipe, pipe fittings, bottle fittings, chrome steel diffusers, stainless diaphragms, manual pulls, system abort button, and protected local labels will be included.

## 6 Cooling



Uniflair SP systems are split systems, meaning the evaporator and condenser are installed separately. The evaporator unit is designed to be installed on the ceiling or wall, while the condenser portion of the unit is mounted outside. Designed for ease of service, a different access is given for the electrical board, mechanical compartment, and fans. This means that calibration and servicing can be carried out safely. These units

are available in free cooling configuration, when activated enables the use of outside air to help cool the IT environment.

### Availability

- **Active response control** - Monitors and actively adjusts cooling capacity to ensure proper server inlet temperatures. Through the microprocessor controller, visibility into the operation and status of the unit is provided.
- **Direct Free Cooling** – (Optional) Utilizes outdoor air when ambient air temperature can help support cooling loads.
- **Dual power inputs** - (Optional) Dual power supplies for incoming power redundancy
- **Scroll compressors** - Utilize few moving parts for increased reliability and life expectancy.

### Manageability

- **Building management system integration** - Send alarms and data points allowing you to manage critical building infrastructure from a single system.
- **Microprocessor controller** - Provides proactive control and real-time monitoring via a four line, eighty character, alphanumeric display.
- **Network interface** - Provides management by connecting the device directly to the network with a dedicated IP address, avoiding the need for a proxy such as a server. Management is available via Web browser, Telnet or SSH. Notification features inform you of problems as they occur.

### Serviceability

- **Easy service access** - Allows for all serviceable components to be replaced/maintained by easily accessible panels/doors.
- **Service monitoring** - All the monitoring devices on board the unit allow for preventive maintenance and a check of the working condition of the system while its in operation.

### Overview

Indoor Unit Model Name

UCA0481S

Outdoor Unit Model Name MRA0611S

#### General

Type	Air condensed
Net Total Cooling Power	14,9 kW
Net Sensible Cooling Power	14,9 kW
Maximum Evaporator Airflow	3900 m <sup>3</sup> /h
Refrigerant	R407C
Number of Circuits	1
Number of Compressors	1

#### Input (Indoor Unit)

Nominal Input Voltage	230 1PH
Input Frequency	50 Hz

#### Input (Outdoor Unit)

Nominal Input Voltage	400 3PH
Input Frequency	50 Hz
Input Connections	Hard Wire 4-wire (3PH + G)

#### Environmental conditions

Maximum Outdoor Temperature	+45 °C
-----------------------------	--------

#### Physical (Outdoor Unit)

Maximum Height	1230 mm
Maximum Width	1200 mm
Maximum Depth	480 mm
Weight	140 kg

#### Conformance

Approvals	CE
-----------	----

Standard warranty	1 year (parts only) , 1 year on-site repair or replace with factory authorized Start-Up
-------------------	-----------------------------------------------------------------------------------------

## 7 Easy UPS 3S - Uninterruptible Power Supply (UPS)

### Easy UPS 3S



The Schneider Electric Easy UPS 3S supplies power stability with robust electrical specifications and long-lasting performance to ensure your business continuity. Designed for fast and easy installation in the data center or electrical room, this EcoStruxure™ Ready UPS features a wide operating temperature window and strong overload protection, all in a compact and lightweight footprint. The Schneider Electric Easy UPS 3 Series brings predictability to utility costs by delivering up to 96 percent efficiency in double conversion mode and up to 99 percent efficiency in energy-saving ECO mode. With its exceptional combination of low Total Cost of Ownership, competitive specifications, and ease of installation, use, and service, the Schneider Electric Easy UPS 3S is the easy choice for your business continuity.

### Convenience

- **Easy Loop Test** - Verifies UPS performance before you connect your load, without the need for a load bank.
- **Straightforward installation** - Including the input, output, and bypass breakers, as well as the Emergency Power Off (EPO) switch, simplifies installation planning and speeds up deployment.
- **Front-access servicing** - Simplifies installation and UPS maintenance while minimizing space requirements.
- **ECO Mode** - Operating mode that by-passes unused electrical components in good power conditions to achieve high operating efficiency without sacrificing protection
- **Easy to install fast** - Quickly roll the compact and lightweight UPS into position.
- **Intuitive user interface** - The intuitive graphical user interface allows for easy system configuration.

### Protection

- **Replaceable dust filters** - protect the UPS in harsh environments.
- **Wide Input Voltage Window** - Saves your battery power for when you really need it - during power cuts.
- **Parallel capability** - Multiple units can be placed in parallel to meet power capacity and redundancy requirements
- **Optional SNMP Card** - When you purchase the SNMP card, you can monitor and manage UPS status remotely through the UPS Web interface or through EcoStruxure IT's cloud-based and on-premise software suites.

## Robust and competitive

- Easy UPS 3 Series brings predictability to utility costs:
  - Up to 96% efficiency in double conversion mode
  - Up to 99% efficiency in ECO mode
- Minimize your power losses and cooling requirements with up to unity power factor (kW=kVA)
- Protect your data center or electrical room with these fortifying features:
  - Embedded dust filter
  - Conformal coating
  - Operating temperature up to 40°C
  - Wide input voltage range
- **Model:** Easy UPS 3S 15KVA
- **Rated power (kVA):** 15
- **Rated power (kW):** 15
- **UPS Redundancy:** N
- **SKU:** E3SUPS15KHB2

### 7.1.1 Technical Specifications

Rated Power (kVA/kW)					
Easy UPS 3:3	10/10	15/15	20/20	30/30	40/40
Normal AC supply input					
Input voltage (V)	380/400/415 V (Three-phase + Neutral)				
Frequency (Hz)	45 – 65 Hz				
Input power factor	>0.99				
THDI	<3% for 10 kVA UPS, <4% for 15-40 kVA UPS				
Input voltage range	304 V to 477 V at full load				
Dual mains input	Yes (default: single mains input)				
Output					
Nominal output voltage (V)	3:1 – 220/230/240 V 3:3 – 380/400/415 V				
Efficiency: Double conversion mode	Up to 96%				
Efficiency: ECO mode	Up to 99%				



Overload capacity in normal operation	130% for 10 minutes and 130-150% for one minute
Output voltage tolerance	+/-1%

### Communication and management

Communication interface	RS232, RS485, USB, dry contact, Modbus TCP/IP, optional network card
Control panel	Multi-function LCD, status and display console

### Weights and dimensions

UPS for external batteries, unpackaged dimensions (H x W x D, mm)	530 x 250 x 700 mm	770 x 250 x 800 mm	770 x 250 x 900 mm		
UPS for internal batteries, without batteries, unpackaged dimensions (H x W x D, mm)	1400 x 380 x 928 mm	1400 x 500 x 969 mm			
UPS for external batteries, unpackaged weight (kg)	36	36	58	60	70
UPS for internal batteries, without batteries, unpackaged weight (kg)	112	112	122	152	158
Battery string (1 string/4 modules), unpackaged/shipping weight (kg)	27 kg per module/28 kg per module				

### Regulatory

Safety	IEC/EN62040-1-1	Performance	IEC 62040-3
EMC/EMI/RFI	IEC 62040-2	Environmental	IEC 62040-4
Markings	CE.RCM, EAC, WEEE		

### Battery type

Battery type	VRLA
Nominal DC bus (100% load)	+/-192 to +/-240
Charging power in % of output power (selectable)	1-20%

### Environmental

Operating temperature	0°C to 40°C
Relative humidity	0 to 95% non-condensing
Operating elevation	0 to 1,000 m at 100% load
Audible noise at 1 m from unit	10-20 kVA: 60 dBA at 100% load; 30-40 kVA: 63 dBA at 100% load

Protection class

IP20

Warranty

One year with Schneider Electric-certified Field Service  
Representative  
or Certified Service Partner Start-up Service (sold separately)

---

\*Under 30°C

## 8 Racks - NetShelter SX/SV



APC NetShelter rack enclosure maximizes flexibility with a progressive, non-proprietary feature-set as well as an extensive line of scalable accessory products to address current needs and adapt to future technology trends. APC NetShelter® rack systems provide a progressive feature-set available in a vendor-neutral rack environment while allowing the user the flexibility to quickly adapt to emerging trends. NetShelter racks and enclosures support can adapt of any type of applications.

These enclosures are designed to meet current IT market trends and applications ranging from high density computing and networking to broadcast and audio-video. With a strong focus on cooling, power distribution, cable management and environmental monitoring, the NetShelter SX rack enclosure provides a reliable rack-mounting environment for mission-critical equipment.

The NetShelter SV is the IT enclosure you have become familiar with from Schneider Electric but now with basic functionality and features provided as a cost-effective solution. The NetShelter SV maintains a strong focus on cooling, power distribution, and cable management to provide a reliable rack-mounting environment for mission-critical equipment but with optional features such as side panels or even an unassembled option that reduces the cost of the base enclosure.

### Convenience

- **Cable access openings with pre-installed brushes** - Large cable access slots in the roof provides access for overhead cable egress. The bottom design allows for unobstructed cable access through a raised floor. Roof includes openings with brush strips pre-installed in locations biased towards the front of the enclosure to allow for data cable pass through and provisions for air containment.
- **Half-height side panels and option with brush strips for pass-through** - Half-height quick release side panels reduce size and weight for easy handling and access to equipment. Side panels are lockable utilizing a single key with the doors. Now available are side panel options integrated with pass-through holes and brush strips for routing cabling to adjacent racks in a row while still maintaining proper airflow.
- **Perforated front door with curved profile** - Perforated front and rear doors provide ample ventilation for servers and networking equipment. Front door perforated area is optimized with a curved profile to provide greater surface area and allowance of more perforation coverage and higher perforation rating.
- **Quick release doors** - Front door can be moved to the opposite side or interchanged with rear doors. Doors are easily removed with simple lift-off design.

### Agility

- **Adjustable mounting rails with captive hardware and rapid alignment** - The vertical mounting rails can be adjusted in 1/4 in (6.4 mm) increments covering virtually any mounting requirement for IT equipment. Easy alignment feature integrated into the enclosure mounting rail and side brace for quick alignment verification without the use of

tools to verify alignment. U positions are numbered front and back for rapid installation of equipment.

- **Integrated joining hardware with multiple width enclosure alignment** - Enclosures include pre-installed joining hardware to join enclosures in a row and provide additional stability to the enclosure. The pre-installed joining hardware includes holes for joining to an adjacent enclosure at 600mm centers or 24in centers depending upon the floor layout.
- **Low-profile castors and adjustable leveling feet from underneath or above** - Enclosures are shipped standard with both leveling feet and castors. Leveling feet can be quickly adjusted using a screwdriver or drill, eliminating the need to reach underneath with a wrench.
- **Pre-installed full-enclosure height rear accessory channels** - Integrated and adjustable rear accessory channel provides zero U mounting locations for tool less accessories. Each channel has two mounting bays to support a combination of up to four accessories such as PDUs and vertical cable organizers. 1070mm (42in), 825mm (32 in), and deep enclosures and networking enclosures include two channels. 1200mm (48in) deep enclosures include four channels. Channels are pre-installed at the factory in the rear of the enclosure but can be moved to other locations of the enclosure along the side brace to resituate cable management where it is needed most.
- **Split rear doors** - Split rear doors improve access and serviceability to rear of rack mounted equipment. The split rear doors help to maximize floor space. Only 11 inches (279 mm) of clearance is required behind the enclosures to allow for door swing.

## Safety

- **Designed for enhanced structural stability** - A proven frame design, heavy-gauge mounting rails.

- **Model:** [[Value not found]]
- **Description:** [[Value not found]]
- **Number of racks:** 4

Rack Model	AR2480	AR2580	AR3100	AR3150	AR3300	AR3350
Overview						
Includes	Baying hardware, Key(s) , Keyed-alike doors and side panels , Leveling feet , Mounting Hardware , Pre-installed casters , Side Panels					
Physical						
Net Weight	130.5 kg	139.5 kg	125.09 kg	155.96 kg	134.09 kg	161.37 kg
Maximum Height	2057.0 mm		1991.0 mm			
Maximum Width	800.0 mm		600.0 mm	750.0 mm	600.0 mm	750.0 mm
Maximum Depth	1060 mm	1200 mm	1070.0 mm		1200.0 mm	
Rack Height	42 U	42 U	42 U	42 U	42 U	42 U
Color	Black					

Vertical Posts	18 gauge	16 gauge			
Front Door	16 gauge				
Rear Door	16 gauge	18 gauge	16 gauge	18 gauge	16 gauge
Roof	19 gauge	18 gauge			
EIA Mounting Rails	14 gauge				
Side Panels	18 gauge				
<b>Conformance</b>					
Approvals	UL 2416, UL 60950-1, EIA-310E				
Standard warranty	5-year repair or replace				
<b>Offer Sustainability</b>					
RoHS	Compliant				
REACH	REACH: Contains No SVHCs				
Other Environmental Compliance	China RoHS				
Sustainable Offer Status	Green Premium product				

Rack Model	AR2487	AR2587	AR3107	AR3157	AR3307	AR3357
<b>Overview</b>						
Includes	Baying hardware, Key(s) , Keyed-alike doors and side panels , Leveling feet , Mounting Hardware , Pre-installed casters , Side Panels					
<b>Physical</b>						
Net Weight	143.8 kg	152.8 kg	138.23 kg	169.09 kg	149.56 kg	185.45 kg
Maximum Height	2324 mm	2324 mm	2258.0 mm			
Maximum Width	800.0 mm		600.0 mm	750.0 mm	600.0 mm	750.0 mm
Maximum Depth	1060 mm	1200 mm	1070.0 mm		1200.0 mm	
Rack Height	48 U	48 U	48 U	48 U	48 U	48 U
Color	Black					
Vertical Posts	18 gauge		16 gauge			
Front Door	16 gauge					
Rear Door	16 gauge		18 gauge	16 gauge	18 gauge	16 gauge
Roof	19 gauge	18 gauge				
EIA Mounting Rails	14 gauge					

Side Panels	18 gauge
Conformance	
Approvals	UL 2416, UL 60950-1, EIA-310E
Standard warranty	5-year repair or replace
Offer Sustainability	
RoHS	Compliant
REACH	REACH: Contains No SVHCs
Other Environmental Compliance	China RoHS
Sustainable Offer Status	Green Premium product

## 8.1 Rack Power Distribution

APC Metered Rack Power Distribution Units (PDUs) provide active metering to enable energy optimization and circuit protection. User-defined alarm thresholds mitigate risk with real-time local and remote alerts to warn of potential circuit overloads. Metered Rack PDUs provide power utilization data to allow Data Center Managers to make informed decisions on load balancing and right sizing IT environments to lower total cost of ownership. Users can access and configure Metered Rack PDUs through secure Web, SNMP, or Telnet Interfaces which are complimented by APC Centralized Management platforms using StruxureWare Data Center Expert, Operations, Capacity, and Energy Efficiency.

AP8000 series Metered Rack PDUs include real power monitoring, a temperature/humidity sensor port, locking IEC receptacles, and ultra-low profile circuit breakers.

Features:

- Load indicator LED. Indicates overload and warning conditions based on the user-defined alarm thresholds. Alerts users of potential overloaded circuits.
- Integrates with StruxureWare Data Center Expert. An IT-ready, scalable access monitoring system that collects, organizes, and distributes critical alerts, surveillance video and key information, providing a unified view of complex physical infrastructure environments from anywhere on the network
- Flash Upgradeable. Quickly and easily upgrade firmware via network download for future product enhancements. Eliminates the need to replace products already installed in the field when new features are released. (Note: Networked units only)
- Alarm Thresholds. Define alarm thresholds in order to avoid overloaded circuits. Network and visual alarms inform the user of possible problems. (Note: Only available on units with the current monitoring capabilities. Please see SKU specifications for availability)
- Local Current Monitoring Display. The aggregate current draw per rack PDU is displayed on the unit via a digital display. The local digital display helps installers avoid overloaded circuits by providing a visible warning when the current draw is close to the maximum amperage draw of the strip. (Available on designated SKUs only)

- **Remote Management Capabilities.** Full-featured network management interfaces that provide standards-based management via Web, SNMP, and Telnet. Allows users to access, configure, and manage units from remote locations to save valuable time. Associated with this feature is the ability to quickly and easily upgrade the firmware via network download to installed units for future product enhancements.



### Overview

Model Name	AP8858EU3
Includes	Installation guide, Locking input power cord, Rack Mounting brackets, Safety guide, Serial configuration cable

### Output

Nominal Output Voltage	230V
Maximum Total Current Draw per Phase	16 A
Output Connections	(18) IEC 320 C13 (Battery Backup), (2) IEC 320 C19 (Battery Backup)
Always on Outlets	0
Overload Protection	No

### Input

Nominal Input Voltage	200V, 208V, 230V
Input Frequency	50/60 Hz
Input Connections	IEC 309 16A 2P+E
Cord Length	3 meters
Number of Power Cords	1
Acceptable Input Voltage	100-240 VAC
Maximum Line Current per phase	16 A

Maximum Input Current per phase	16 A
Load Capacity	0 VA

### Physical

Net Weight	2.93 kg
Maximum Height	902.0 mm
Maximum Width	56.0 mm
Maximum Depth	44.0 mm
Shipping Weight	4.92 kg
Shipping Height	1124.0 mm
Shipping Width	162.0 mm
Shipping Depth	107.0 mm
Color	Black

### Environmental

Operating Environment	-5 - 45 °C
Operating Relative Humidity	5 - 95 %
Operating Elevation	0-3000 meters
Storage Temperature	-25 - 65 °C
Storage Relative Humidity	5 - 95 %
Storage Elevation	0-15000 meters

### Conformance

Approvals	CSA C22.2 No. 60950, IEC 60950, METI Denan, UL 60950-1, VDE
Standard warranty	2 years repair or replace

### Sustainable Offer Status

RoHS	Compliant
REACH	REACH: Contains No SVHCs
Battery Directive	Compliant
Battery Notes	Battery Notes



### 8.1.1 Cable Management

The solution includes all overhead cable management accessories (power and data cable). The module includes an E-chain system that manages the cables as they enter the equipment rack. The E chain system will move with the racks as they are moved on the rail system (described below). Wire mesh cable tray is also provided in the appropriate location to carry cable within the module.



The features of the e-chain are the following:

- Sideband and frame construction with large anti-friction single pin
- Frame opening from inner radius or from outer radius
- Vertical separators are available
- This standard 35 mm chain offers very high load capacities, despite its compact construction

### 8.1.2 Rail System

Schneider Electric has designed a new option for its products allowing rack movement. Rack movement allows easier access to the front and rear of the rack and mounted equipment.

There are two rails per rack. The rail guide system main components are:

- Rack fixations
- Telescopic rail
- Floor fixation



Two wheels in the middle of the rack help the smooth movement of the rack. However, the weight is mainly supported by the telescopic rails. Two hasps fixed on each telescopic rail complete the system, setting the rack in its mid position.

Our standard rail system, with 2 telescopic rails, is designed for a maximum load of 800 kg (1780 lbs.).

## 9 Exclusions

The following list gives the limit of our scope of supply. All works listed hereafter are excluded from this proposal.

### **General:**

- Any item not specifically listed in the proposal
- Freight to the final site
- Unloading of the module into its final position
- Project management services

### **Civil works:**

- Any outdoor and indoor civil works (e.g. trenches, preparation of foundations, concrete slabs, fireproof walls, doors, holes, stairs...)
- Any opening or drilling in the building existing walls and roof
- Any scaffolding, builders work or allied tradesman work
- Any ceiling or overhead plenum
- Installation of condensers on external slab
- Attachment of piping between condensers and module
- Any steps or ramps required for doorways

### **Data cabling:**

- Any IT cabling and fiber optics installation

### **Electrical cabling:**

- Any electrical installation work outside the prefabricated building solution
- Any digging, trenches and soil preparation for fuel tank and piping network installation
- The supply and installation of the incoming LV electrical supply from the gensets
- The supply and installation of the incoming LV electrical supply from the normal source

### **Electrical equipment:**

- Emergency gensets including fuel tanks