

# Rack Power Distribution Unit Metered by Outlet (AP8453)

## Overview and Specifications

### Overview

The Schneider Electric Rack Power Distribution Unit (PDU) distributes power to devices in a rack. The Rack PDU measures the load of the PDU, phase, banks, and each individual outlet. You can access the Rack PDU through Web, Telnet, SNMP, SSH, or StruxureWare interfaces for comprehensive configuration and monitoring functionality. The Network Port Sharing (NPS) feature allows up to four AP8XXX Rack PDUs to be connected together within a rack in order to share one IP address.

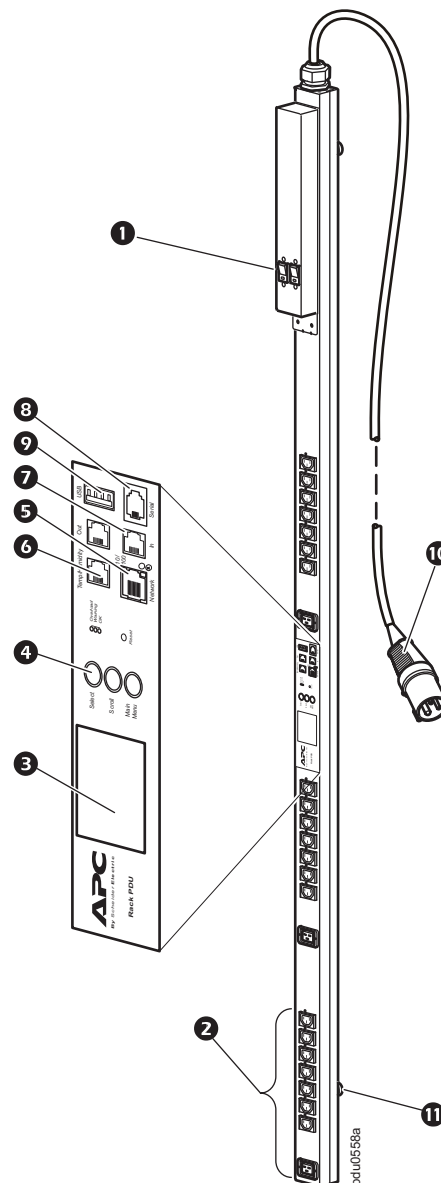
**Outlets.** The Rack PDU has twenty-one (21) IEC-320-C13 and three (3) IEC-320-C19 locking outlets **2**. (The locking feature is compatible with Schneider Electric locking input cords and Schneider Electric locking jumper cords.)

**Overcurrent protection.** The Rack PDU has two (2) 16 A, 1-pole hydraulic-magnetic circuit breakers **1**.

**Display interface.** The liquid crystal display (LCD) **3** and input buttons **4** allow you to monitor current, power, and voltage measurements of the Rack PDU. Local communication can be established through the serial port **8**, and remote communication through the network port **5**. The USB **9** port allows for firmware upgrades, and the In/Out **7** ports enable connection of up to four Rack PDUs via the NPS feature. The environmental sensor port **6** allows for monitoring of the temperature and humidity of the room or enclosure.

**Power cord.** The 3.0-m (10-ft) power cord terminates with an IEC60309, 2 pole, 3 wire, 250 VAC, 32 A plug **10**.

**Toolless mounting.** The Rack PDU has two toolless mounting pegs **11** for 0 U mounting capability in a rack or enclosure.



## Specifications

### Electrical

Acceptable input voltage	220/240 ± 6%, -10%
Maximum input current (phase)	32 A
Input frequency	50/60 Hz
Input connection	IEC 309-32A 3-pin
Input power	7.4 kVA
Output voltage	220-240 VAC
Maximum output current (outlet)	IEC-320-C13: 10 A; IEC-320-C19: 16 A VDE
Maximum output current (phase)	32 A
Output connections	Twenty-one (21) IEC-320-C13; three (3) IEC-320-C19;

### Physical

Dimensions (H x W x D) (depth does not include toolless pegs)	182.9 x 5.6 x 5.1 cm (72.0 x 2.2 x 2.0 in)
Power cord length	3 m (10.0 ft)
Shipping dimensions (H x W x D)	203.8 x 16.2 x 11.8 cm (80.25 x 6.38 x 4.63 in)
Weight/shipping weight	8.2 kg (18.1 lb) / 10.5 kg (23.1 lb)

### Environmental

Maximum elevation (above MSL) Operating/Storage	0–3 000 m (0–10,000 ft) / 0–15 000 m (0–50,000 ft)
Temperature Operating/Storage	–5 to 45°C (23 to 115°F) / –25 to 65°C (–13 to 149°F)
Humidity Operating/Storage	5–95% RH, non-condensing

### Compliance

EMC verification	EN 55022 Class A, EN 55024, EN 61000-3-2, EN 61000-3-3
Safety verification	VDE to IEC/EN 60950-1
CE certification	EMC Directive 2004/108/EC LVD Directive 2006/95/EC RoHS Directive 2011/65/EU

Customer support and warranty information is available at the web site, [www.apc.com](http://www.apc.com).