

LIR01 to LIR04 Series Lock In Relay



The LIR0x Series provide reliable shut down & isolation from control devices of the actuator whenever air pressure fails. If the supply air pressure drops below the mechanically adjusted set point (safety limit), the output line to the actuator (resp. both output lines with double acting) is sealed off. Rugged and corrosion-resistant – made of Aluminum alloy or in SS 316L. Compact small package size – light weight.

FEATURES

- Suitable for automation equipment to onshore, offshore, pharmaceutical, medical and food applications
- Full material traceability
- Excellent stability and repeatability
- Accurate adjustment
- Single or double locking possibility
- ATEX 94/9/CE II 2 GD c IIC T6 X

*Equipment should be installed, operated, serviced, and maintained only by qualified personnel.
No responsibility is assumed by Schneider Electric for any consequences arising from the use of this material.*

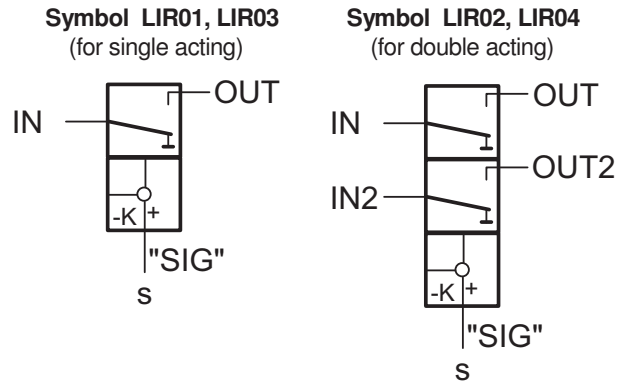
FUNCTIONAL SPECIFICATIONS

Main

- Media Compressed air, inert gases, sweet and sour gases
- Air quality Instrument air, with dew point 10 K below ambient temperature
- Port threads 1/4" NPT
- Signal connection 1/4" NPT
- Max supply pressure 10 bar
- Max signal/output pressure 7 bar
- Flow rate (Cv) 0.9 (1/4")
- Working temperature -40 °C up to 80 °C (EPDM)
- Sensibility 0.1 bar
- Max lock in pressure 7 bar

Materials

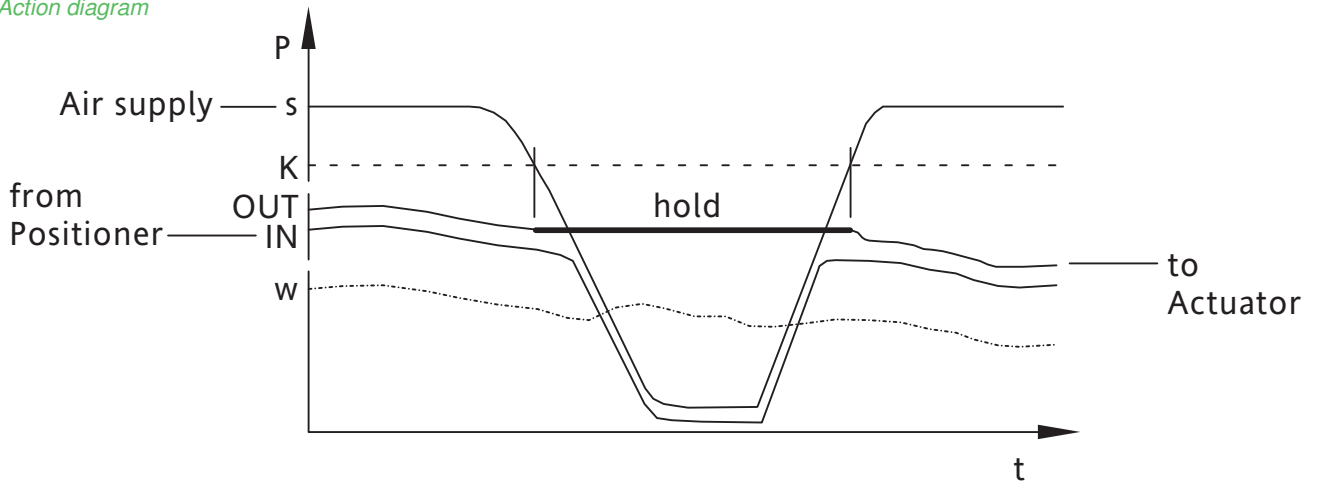
- Body Epoxy painted Aluminum alloy (LIR01/02), or SS 316L (LIR03/04)
- Adjustment screw and fixing screws AISI 316 stainless steel, or galvanized steel
- Diaphragms Elastomer
- Valve assembly AISI 316 stainless steel
- Valve spring and adjustment spring AISI 316 stainless steel, or galvanized steel
- Seals Elastomer



Function

If the supply air pressure drops below the mechanically adjusted set point (safety limit), the output(s) to the final pneumatic element is sealed off.

Action diagram

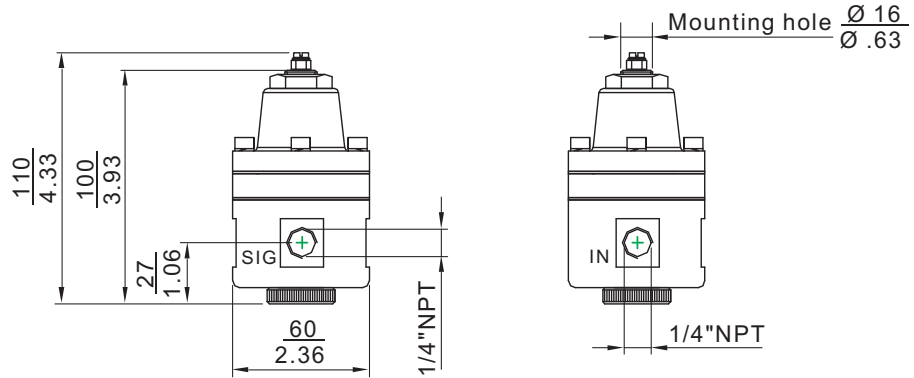


MODEL CODES LIR01 to LIR04

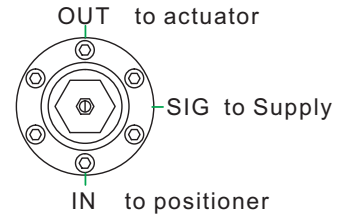
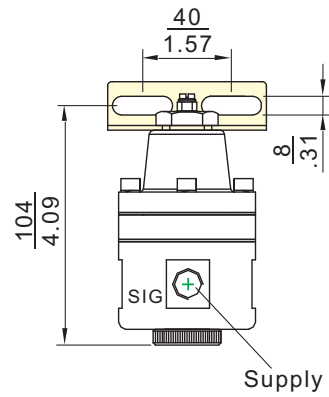
Universal Lock In Relay (for all positioners)	170215
Lock In Relay, Single Acting, Aluminum casing	LIR01
Lock In Relay, Double Acting, Aluminum casing	LIR02
Lock In Relay, Single Acting, SST 316L casing	LIR03
Lock In Relay, Double Acting, SST 316L casing	LIR04

DIMENSIONS

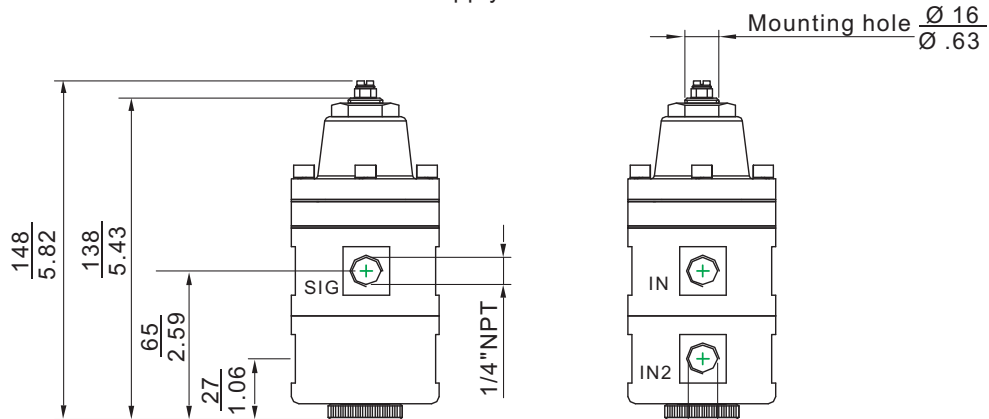
LIR01, LIR03



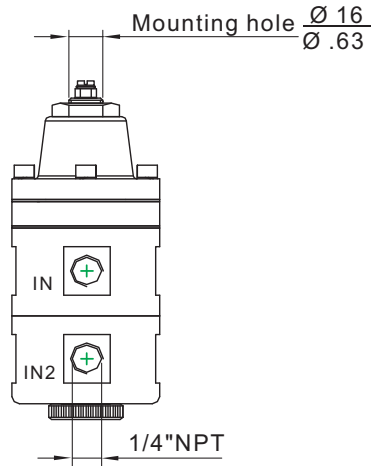
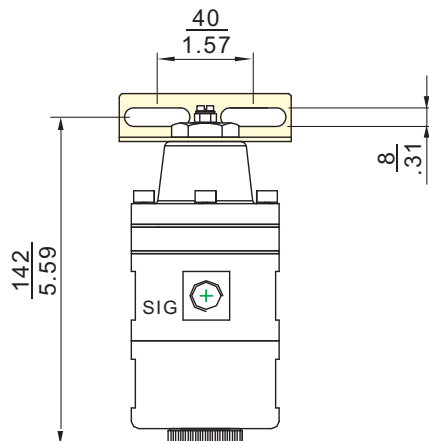
with
Mounting Bracket



LIR02, LIR04

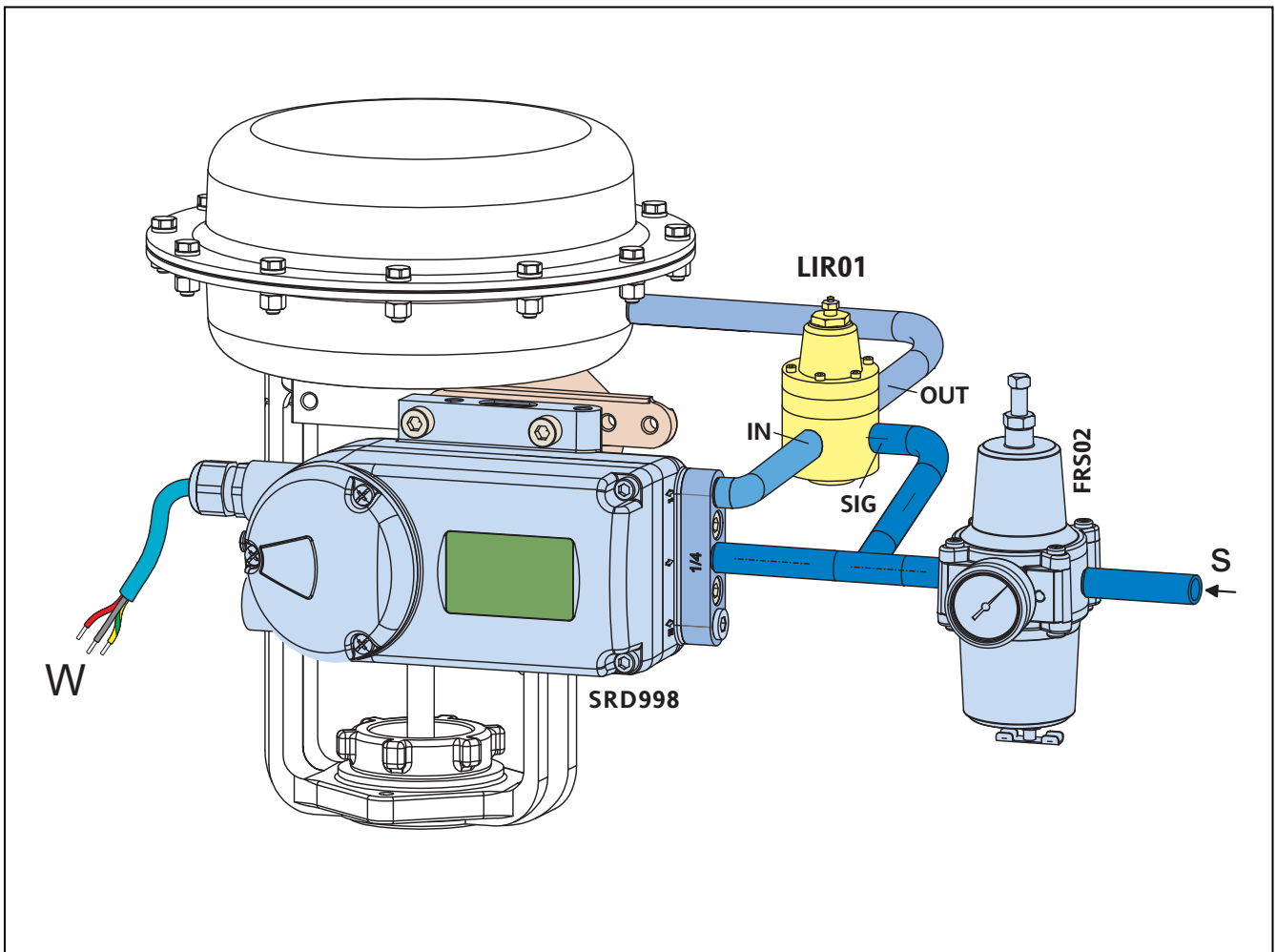


with
Mounting Bracket



mm
in

TYPICAL APPLICATION




Schneider Electric Systems USA, Inc.
38 Neponset Avenue
Foxboro, MA 02035
United States of America
<http://www.schneider-electric.com>

Global Customer Support
Inside U.S.: 1-866-746-6477
Outside U.S.: 1-508-549-2424
<https://pasupport.schneider-electric.com>

Copyright 2010-2018 Schneider Electric Systems USA, Inc. All rights reserved.

Schneider Electric is a trademark of Schneider Electric Systems USA, Inc., its subsidiaries, and affiliates. All other trademarks are the property of their respective owners.

Schneider
 **Electric**[™]

DOKT 558 771 013
FD-PSS-PO-18-EN

0618