

**FRS04 Filter regulator (Aluminum casing)**

**FRS05 Filter regulator (Stainless Steel casing)**



*Control of instrument supply air pressure, and removal by filtration of dust particles and water content, to drive pneumatic actuators. FRS04 and FRS05 are dedicated for direct mounting to valve positioners SRD998 with pneumatic performance “High Air Output”.*

**FEATURES**

- Minimal effect of upstream pressure fluctuation
- Low inherent air consumption
- Gauges 3 scales (bar / psi / kPa)
- Bowl with manual drain
- 1/2 NPT connection for in and output air
- Aluminum housing (Al 383, 2-3% Cu) for FRS04
- Stainless Steel housing (316) for FRS05
- Air flow at max deviation:  
(FRS04) 170 Nm<sup>3</sup>/h, Cv = 2.5,  
(FRS05) 180 Nm<sup>3</sup>/h, Cv = 3
- Range of setting: (FRS04) 0 to 8 bar / 0 to 120 psig,  
(FRS05) 0 to 10 bar / 0 to 150 psig
- Max inlet pressure: (FRS04) 17 bar / 247 psi ,  
(FRS05) 20 bar / 290 psi or 10 bar / 145 psi (Auto)
- Temperature Range –50 °C to +90 °C /  
–58 °F to +194 °F
- Filter: (FRS04) Polyethylene,  
(FRS05) Stainless Steel; Filter grade 5 µm

*Equipment should be installed, operated, serviced, and maintained only by qualified personnel.  
No responsibility is assumed by Schneider Electric for any consequences arising from the use of this material.*

## TECHNICAL DATA

Inlet pressure . . . . .	FRS04: max. 17 bar / 247 psi FRS05: max. 20 bar / 290 psi or 10 bar / 145 psi (Auto)
Control range . . . . .	0 to 8 bar / 0 to 120 psi
Indicating range . . . . .	0 to 10 bar / 0 to 150 psi
Error limit . . . . .	Class 2.5
Air throughput Qn max. <sup>1)</sup> . . . . .	(FRS04) 170 Nm <sup>3</sup> /h, Cv = 2.5, (FRS05) 180 Nm <sup>3</sup> /h, Cv = 3
Upstream press. dependency . . . . .	Less than 0.035 bar (.5 psig) for a 1.7 bar (25 psig) change
Max. inherent air consumption . . . . .	Less than 2.5 NI/min (5 scfh) <sup>1)</sup>
Location class . . . . .	IP65, when exhaust collection is connected to a flexible pipe, or to a pipe to bring exhaust gas far away
Ambient temperature range . . . . .	-50 to 90 °C / -58 to 194 °F <sup>2)</sup>
Mounting . . . . .	Wall mounting/Pipe mounting
Nominal position . . . . .	NL 90
Pneum. connections . . . . .	internal thread 1/2 NPT
Gauge connection . . . . .	internal thread 1/4 NPT

### Materials

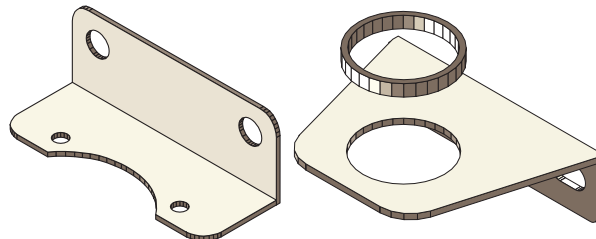
- Housing material: (FRS04) Aluminum (Al 383, 2 to 3% Cu)  
(FRS05) Stainless Steel (316)
  - Filter: (FRS04) Polyethylene,  
(FRS05) Stainless Steel; Filter grade 5 µm
  - Gauge: housing: SS; measuring system: brass
- Weight . . . . . FRS04: 0.8 kg (1.8 lb)  
FRS05: 1.5 kg (3.3 lb)

## Accessory: Mounting brackets

Mounting via Mounting Bracket

EBZG-FR4 for FRS04

EBZG-FR5 for FRS05

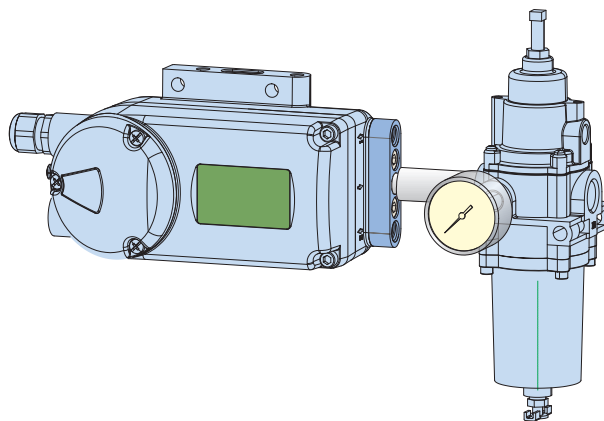


Dimensions see page 5

## APPLICATION

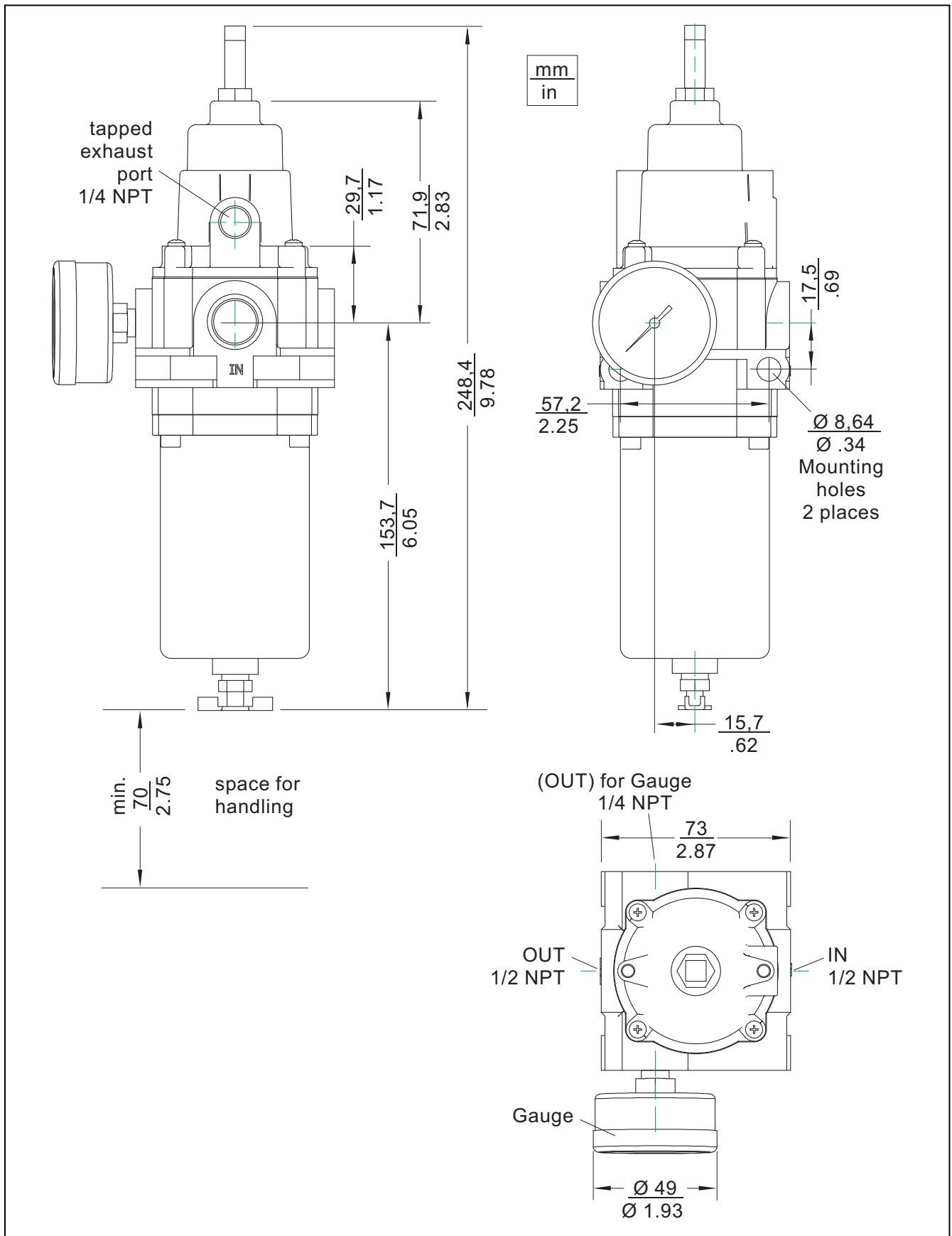
Specially dedicated for direct mounting to valve positioners SRD998 with pneumatic performance "High Air Output".

FRS04 direct mounted to SRD998, via Tube connector VG-93

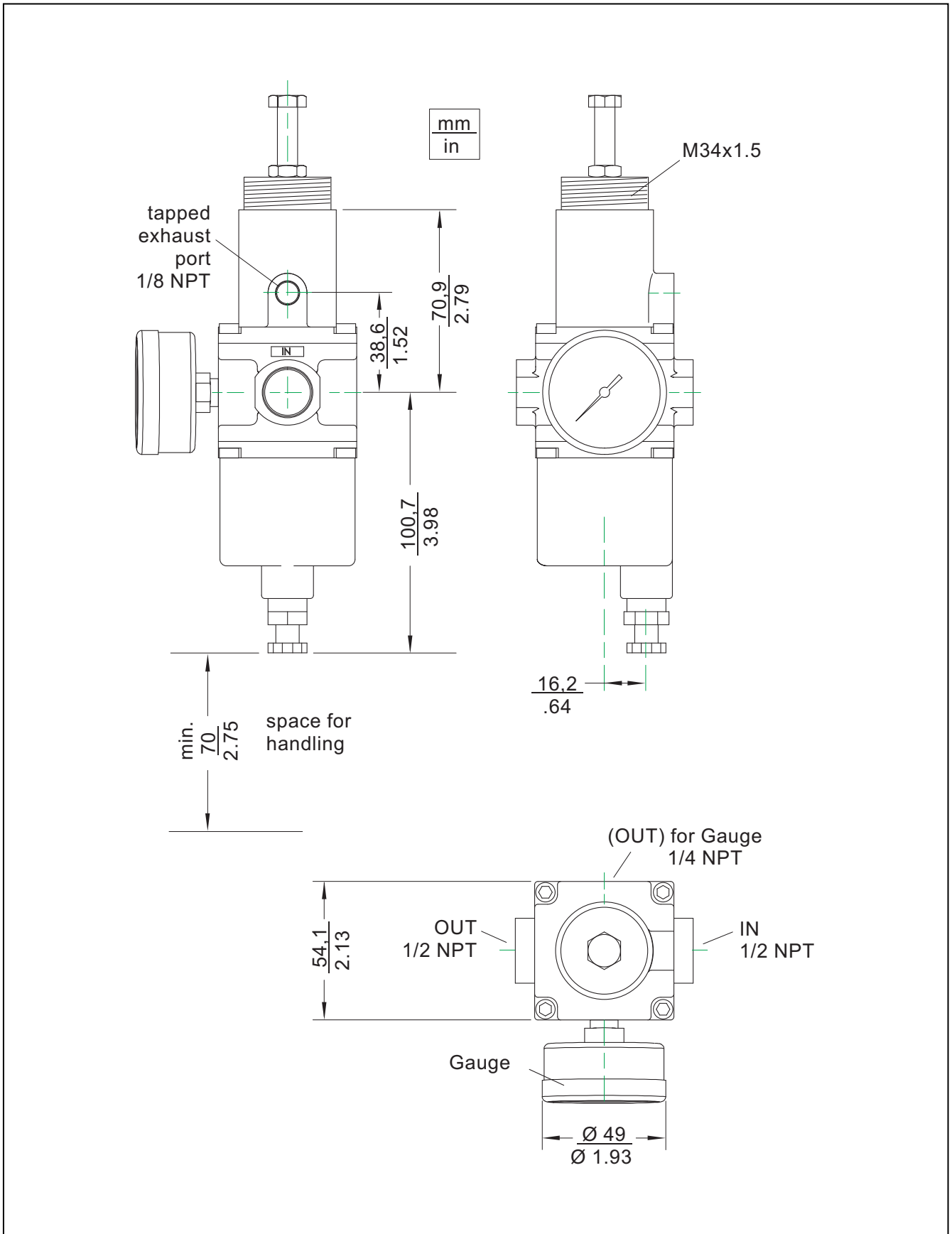


1) Measured at 7 bar upstream pressure and 1.4 bar output pressure, based on standard reference conditions.  
2) The supply air must be dry (dew point at least 10 °K below ambient temperature) for operation at temperatures below 0°C

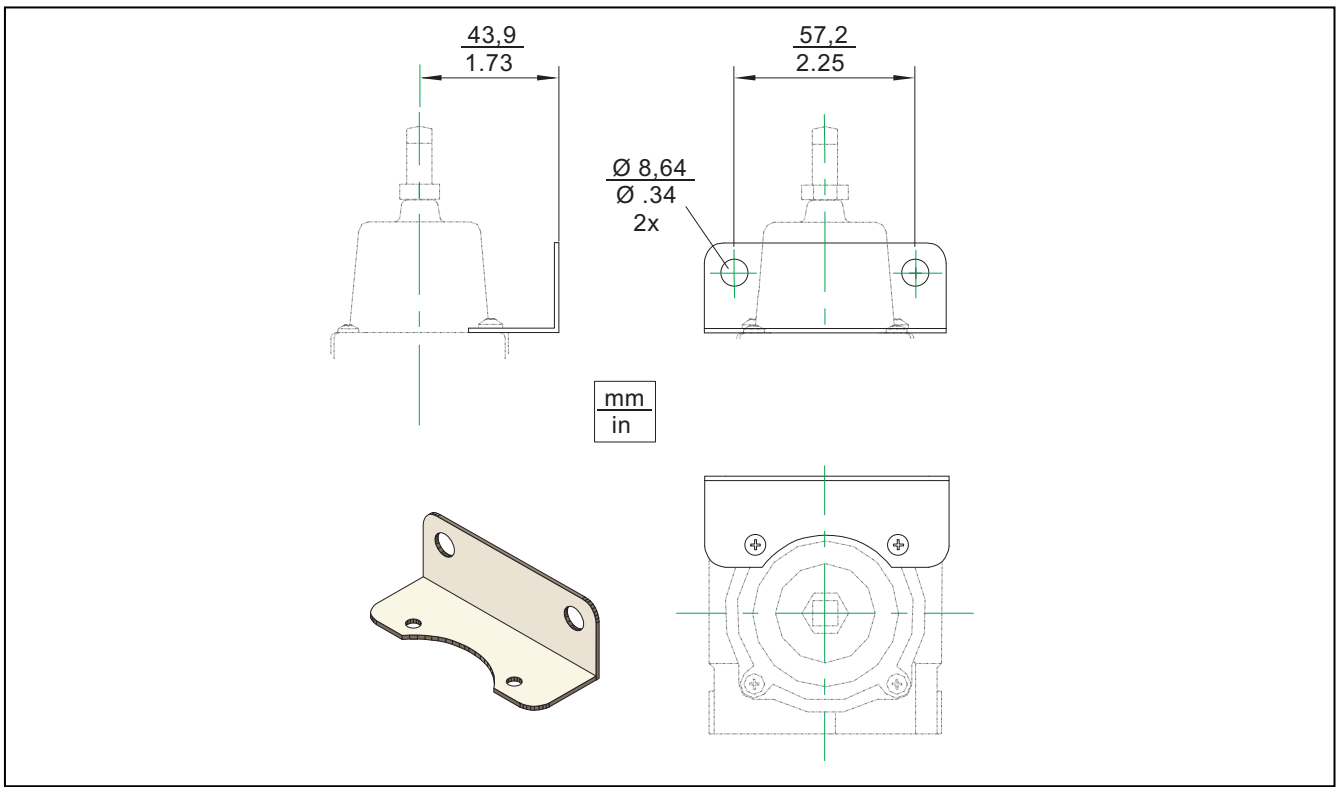
**DIMENSIONS FRS04**



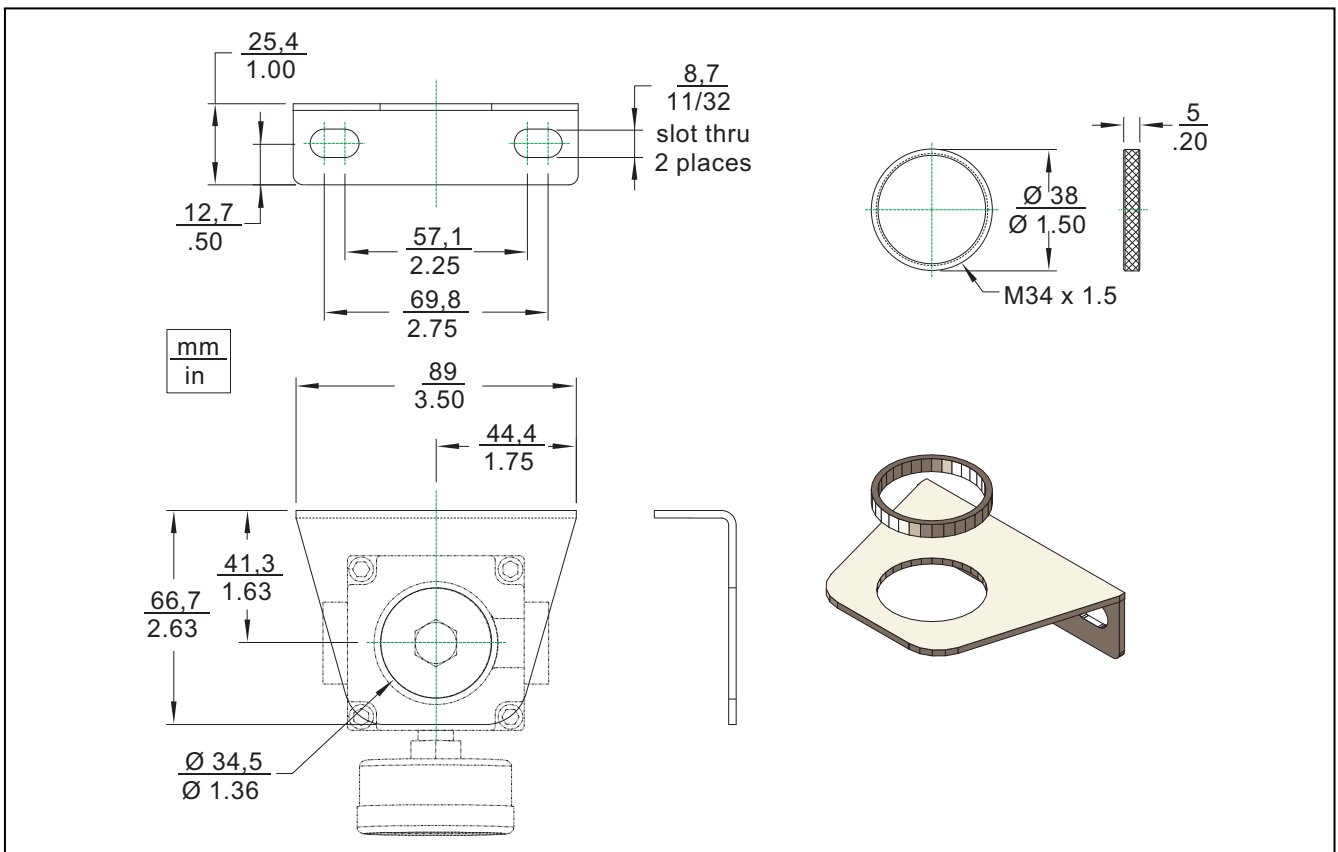
**DIMENSIONS FRS05**



**DIMENSIONS Mounting Bracket for FRS04**



**DIMENSIONS Mounting Bracket and Panel nut for FRS05**



## MODEL CODES

<b>Filter Regulator (Aluminum casing)</b> .....	FRS04
<b>Filter Regulator (Stainless Steel casing)</b> .....	FRS05
Nipple 1/2 NPT (FRS04/05 side) to 1/4 NPT (SRD998 side) for direct piping .....	VG-93
<b>Mounting Brackets</b>	
Mounting Bracket for FRS04.....	EBZG-FR4
Mounting Bracket for FRS05.....	EBZG-FR5

Schneider Electric Systems USA, Inc.  
38 Neponset Avenue  
Foxboro, MA 02035  
United States of America  
<http://www.schneider-electric.com>

Global Customer Support  
Inside U.S.: 1-866-746-6477  
Outside U.S.:1-508-549-2424  
<https://pasupport.schneider-electric.com>

Copyright 2010-2018 Schneider Electric  
Systems USA, Inc. All rights reserved.

\*\*Schneider Electric is a trademark\*\* of  
Schneider Electric Systems USA, Inc., its  
subsidiaries, and affiliates. All other trademarks  
are the property of their respective owners.

