

FRS923 Filter regulator



Control of instrument supply air pressure, and removal by filtration of dust particles and water content. Mounting brackets inclusive.

FEATURES

Pressure reducer and supply air station:

- Minimal effect of upstream pressure fluctuation.
- Low inherent air consumption
- With or without filter
- Ambient temperature range –40 to +80 °C
- Explosion protection II 2 G c IIC T4 -T6
ATEX - Constructive design
CU TR - Constructive design

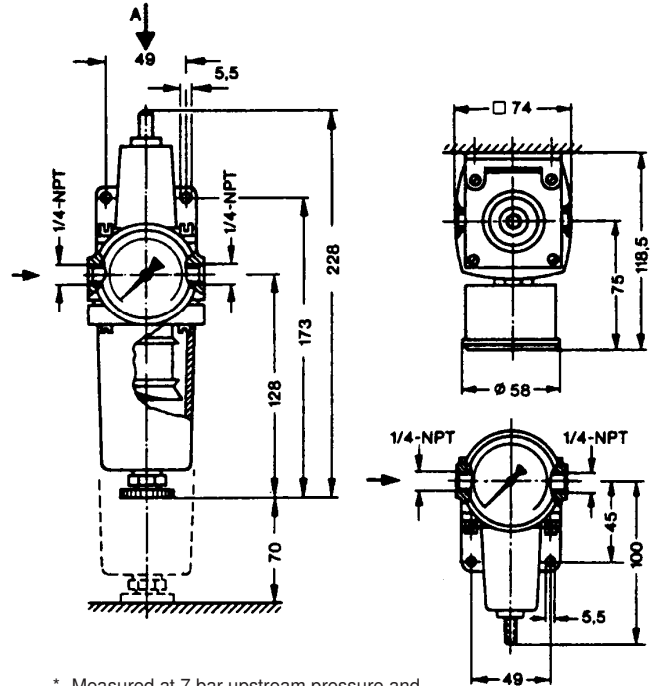
*Equipment should be installed, operated, serviced, and maintained only by qualified personnel.
No responsibility is assumed by Schneider Electric for any consequences arising from the use of this material.*

TECHNICAL DATA

Filter regulator

Pressure reducer, including mounting bracket and filter bowl
 Input max. 15 bar / 1.5 MPa /
 15 kg/cm² / 220 psi
 Control range 0 to 2.5 bar / 0 to 35 psi (Code -1)
 0 to 6 bar / 0 to 90 psi (Code -2)
 Indicating range 0 to 2.5 bar / 0 to 35 psi (Code -1)
 0 to 10 bar / 0 to 145 psi (Code -2)
 Error limit Class 2.5
 Air throughput Qn max. 24 m³/h *
 Upstream press. dependency ≤ 1 mbar / 0.1 bar
 Max.inherent air consumption ≤ 0.001 m³/h *
 Location class IP 54 acc. to IEC529
 Area classification D2 acc. to IEC654/1
 Ambient temperature range . . -40 to +80 °C **
 Mounting Wall mounting/Pipe mounting
 Nominal position NL 90
 Pneum. connections internal thread 1/4- 18 NPT
Materials:
 - Filter: Sintered bronze, diffusion tinned, filter grade 30 µm
 - Filter bowl: Die cast Aluminum
 - Gauge: housing: plastic; measuring system: brass
 Version without nonferrous metal: Mat. No. 1.4571
 Weight approx. 1 kg

DIMENSIONS



* Measured at 7 bar upstream pressure and 1.4 bar output pressure, based on standard reference conditions
 ** The supply air must be dry for operation at temperatures below 0 °C (observe dew point!)

MODEL CODES

Pressure Regulator with or without Filter	FRS923	120619
Control range		
0 to 2.5 bar; 0 to 35 psi; 0 to 250 kPa	-1	
0 to 6 bar; 0 to 90 psi; 0 to 600 kPa	-2	
Version		
Pressure Regulator without Filter		R
Pressure Regulator with Filter		S
Gauges		
Without		W
Gauge DN 50 and 3 scales (kPa/bar/psi).....(b)		K
SS Housing Gauge DN 50 and 3 scales (kPa/bar/psi).....		V
OPTIONS		
Version Free Of Non-Ferrous Metal		-C
Protection Class IP65		-F
CU TR - EAC approved for Intrinsic safety		-R
Tag No. Labeling: Stamped with Weather Resistant Color		-G
Tag No. Labeling: Stainless Steel Label fixed with Wire		-L
(b) Not with Options -C		

Schneider Electric Systems USA, Inc.
 38 Neponset Avenue
 Foxboro, MA 02035
 United States of America
<http://www.schneider-electric.com>

Global Customer Support
 Inside U.S.: 1-866-746-6477
 Outside U.S.:1-508-549-2424
<https://pasupport.schneider-electric.com>

Copyright 2010-2019 Schneider Electric Systems USA, Inc. All rights reserved.

Schneider Electric is a trademark of Schneider Electric Systems USA, Inc., its subsidiaries, and affiliates. All other trademarks are the property of their respective owners.

