

SpaceLogic Sensors

Pressure - Dry Differential Analog

EP Series, Bluetooth® Enabled



Patent Pending

Product Description

The SpaceLogic EP Series pressure sensors can measure either air pressure or velocity with the flip of a switch. The EP is available in three installation configurations: duct, panel or universal. Duct and panel models have two pressure and velocity options: 0-1 in. WC/ 0-3,000 ft/min or 1-10 in. WC / 3,000-6,000 ft/min with four field-selectable sub-ranges. The universal model comes in one pressure/velocity range: 0-10 in. WC / 0-7,000 ft/min with seven field-selectable sub-ranges for pressure and eight for velocity. All variants are available with and without display. The EP has an IP65/NEMA 4 environmental rating and a 5-year limited warranty.

The Veris Sensors App provides the ability to connect to a device and configure a variety of field-selectable parameters remotely from a smartphone via Bluetooth wireless technology. The app allows users to create and store commonly used parameters that will reduce commissioning time and provide assurance that all parameters are properly configured with no call backs. The app can also create a trend log while connected, providing critical data for troubleshooting purposes. iOS® users can download the app through the [iOS App Store](#) on their smart device. Android users can download the app through the [Google Play™ store](#).

Note: This product is not intended for life or safety applications. Do not install this product in hazardous or classified applications.

Features

- High reliability sensor technology for long-term, maintenance-free operation
- Seven pressure and eight velocity sub-ranges with three selectable outputs for easy on-the-job setup
- IP65/NEMA 4 housing allows mounting in wash-down locations
- Circuit protection avoids damage due to incorrect input wiring

Available Products

Enclosure	Range	Local Display
EP <input type="checkbox"/> D = Duct P = Panel	301 = Pressure: 0 to 1 in. WC 0 to 250 Pa Velocity: 0 to 3,000 ft/min 0 to 15 m/s 302 = Pressure: 0 to 10 in. WC 0 to 2,500 Pa Velocity: 0 to 6,000 ft/min 0 to 30 m/s	<input type="checkbox"/> Blank = No Display LCD = LCD Display
EP <input type="checkbox"/> U = Universal	305 = Pressure: 0 to 10 in. WC 0 to 2,500 Pa Velocity: 0 to 7,000 ft/min 0 to 35 m/s	<input type="checkbox"/> Blank = No Display LCD = LCD Display

USA: +1 888-444-1311
 Europe: +46 10 478 2000
 Asia: +65 6484 7877
www.schneider-electric.com

Life Is On



Specifications

Media Compatibility	Dry or inert gas
Input Power	Three-wire Volt mode: 24 Vac or 12-30 Vdc*, Two-wire mA mode: 12-30 Vdc*
Output Power	Field-selectable: 2-wire, loop-powered 4-20 mA Minimum input voltage for 4-20 mA operation: 250 Ω loop = 12 Vdc; 500 Ω loop = 19 Vdc (DC only, clipped and capped), 24 Vac/dc or 3-wire 0-5V/0-10V Minimum load resistance for Volt operation: 5 k Ω
301 Pressure Range	<u>Pressure mode:</u> Unidirectional: 0.1/0.25/0.5/1 in. WC, switch selectable Bidirectional: $\pm 0.1/\pm 0.25/\pm 0.5/\pm 1$ in. WC, switch selectable Unidirectional: 25/50/100/250 Pa, switch selectable Bidirectional: $\pm 25/\pm 50/\pm 100/\pm 250$ Pa, switch selectable <u>Velocity mode:</u> 500/1,000/2,000/3,000 ft/min, 2.5/5/10/15 m/s
302 Pressure Range	<u>Pressure mode:</u> Unidirectional: 1.0/2.5/5/10 in. WC, switch selectable Bidirectional: $\pm 1.0/\pm 2.5/\pm 5/\pm 10$ in. WC, switch selectable Unidirectional: 250/500/1,000/2,500 Pa, switch selectable Bidirectional: $\pm 250/\pm 500/\pm 1,000/\pm 2,500$ Pa, switch selectable <u>Velocity mode:</u> 3,000/4,000/5,000/6,000 ft/min, 15/20/25/30 m/s
305 Pressure Range	<u>Pressure mode:</u> Unidirectional: 0.1/0.25/0.5/1/2.5/5/10 in. WC, switch selectable Bidirectional: $\pm 0.1/\pm 0.25/\pm 0.5/\pm 1/\pm 2.5/\pm 5/\pm 10$ in. WC, switch selectable Unidirectional: 25/50/100/250/500/1,000/2,500 Pa, switch selectable Bidirectional: $\pm 25/\pm 50/\pm 100/\pm 250/\pm 500/\pm 1,000/\pm 2,500$ Pa, switch selectable <u>Velocity mode:</u> 500/1,000/2,000/3,000/4,000/5,000/6,000/7,000 ft/min, 2.5/5/10/15/20/25/30/35 m/s
Response Time	Standard: T95 in 20 sec, Fast: T95 in 2 sec, DIP switch selectable
Mode	Unidirectional or bidirectional, DIP switch selectable
Display (Option)	Pressure mode: Signed 3-1/2 digit LCD, indicates pressure, overrange indicator Velocity mode: Signed 4-1/2 digit LCD, indicates velocity, overrange indicator
Proof Pressure	3 psid (20,600 Pa)
Burst Pressure	5 psid (34,500 Pa)
Pressure Mode Accuracy	$\pm 1\%$ FS (combined linearity and hysteresis)
Velocity Mode Accuracy	± 90 ft/min (± 0.45 m/s) plus 5% of measured value**
Temperature Effect	1 in. WC (250 Pa) models: 0.05%/°C; 10 in. WC (2,500 Pa) models: 0.01%/°C (Relative to 25 °C) 0 to 50 °C (32 to 122 °F)
Zero Drift (1 year)	1 in. WC (250 Pa) models: 2.5% FS typ.; 10 in. WC (2,500 Pa) models: 0.25% FS typ.
Zero Adjust	Pushbutton auto-zero and digital input (2-position terminal block)
Operating Environment	-20 to 60 °C (-4 to 140 °F)***
Altitude of Operation	0 to 3,000 m
Pollution Degree	2
Humidity Range	100% RH, non-condensing
Mounting Location	For indoor or outdoor use (display will not function below 0 °C (32 °F))
Fittings	Brass barb; 0.24" (6.1 mm) o.d.
Bluetooth Frequency Range	2.402 to 2.480 GHz (Bluetooth version 4.2), enabled by DIP switch
Maximum Output Power	0dBm
Environmental Rating	IP65, NEMA 4

USA: +1 888-444-1311
Europe: +46 10 478 2000
Asia: +65 6484 7877
www.schneider-electric.com

Life Is On

Schneider
Electric

Specifications (cont.)

Flammability Rating	UL 94 5VA fire retardant ABS, plenum rated
Limited Warranty	5 years

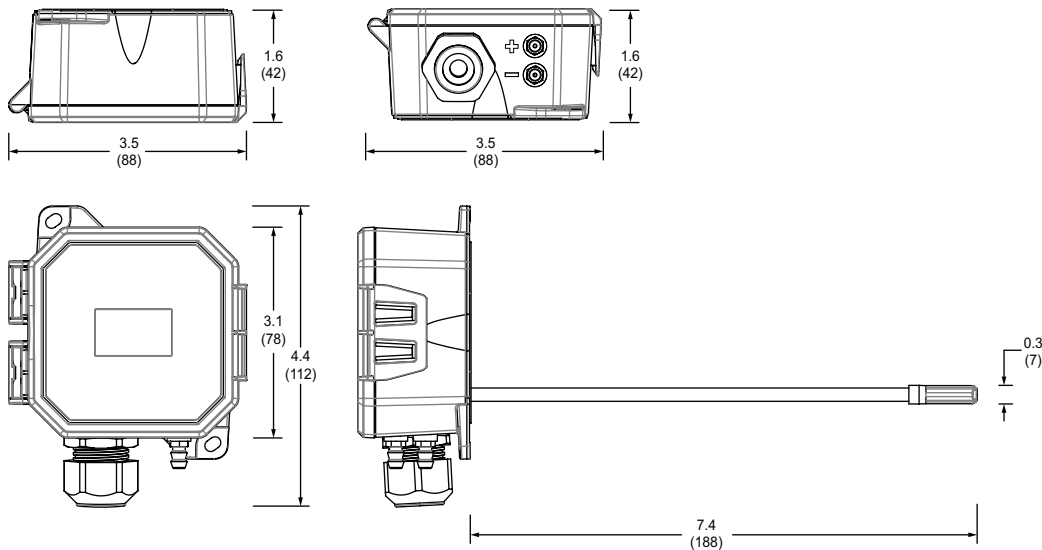
EMC Conformance: EN 61000-6-3 and A1, Class B, EN 61000-6-1, EN61326-1 and EN61326-2-3.

* Class 2/II power source.

** For measured values between 200 and 7,000 ft/min (1 and 35 m/s).

*** Display will not function below 0 °C (32 °F).

Dimensions in. (mm)



Accessories

VFXP Series Air Velocity Measurement Probe*

Velocity Pitot Tubes, 8-5/8", 12-5/8", 18-5/8"
(AA18, AA19, AA20)*

Static-04 Pick-up - 4" Duct Static Pickup Probe (AA06)

Static-08 Pick up - 8" Duct Static Pickup Probe (AA07)

Wall Plate Remote Pickup (AA56)

*For use with EPP (panel) and EPU (universal) models in Velocity mode only. Sold separately.



USA: +1 888-444-1311
Europe: +46 10 478 2000
Asia: +65 6484 7877
www.schneider-electric.com

Life Is On

Schneider Electric