

# MD10B - 24/-230

## 3-point Damper Actuator



## Product Description

MD10B series damper actuators for operating air control dampers in ventilation and air-conditioning systems for building services installations.

- For air control dampers up to approx. 2 m<sup>2</sup> (2.4 yard<sup>2</sup>)
- Torque 10 Nm (90 in-lb)
- Nominal voltage AC/DC 24 V or 230 V
- Control: On/Off or 3-point

## Features

- Simple direct mounting on the damper spindle with a universal spindle clamp, supplied with an anti-rotation strap to prevent the actuator from rotating.
- Manual operation is possible with the self-resetting push button (the gearing latch remains disengaged as long as the push button is pressed or detented).
- Adjustable angle of rotation with mechanical end stops.
- High functional reliability: The actuator is overload-proof, requires no limit switches and automatically stops when the end stop is reached.

## Specifications

Part numbers	
MD10B-230	875-1011-000
MD10B-24	875-1015-000
Power supply	
MD10B-24	24 Vac ±20%, 50–60 Hz, 24 Vdc ±20%
MD10B-230	230 Vac –60%...+15%, 50–60 Hz
Power consumption	
In operation	
MD10B-24	1.5 W @ nominal torque
MD10B-230	2.5 W @ nominal torque
For wire sizing	
MD10B-24	3.5 VA
MD10B-230	5.5 VA
Connection cable	1 m (3.3 ft), 3×0.75 mm <sup>2</sup> (AWG 18)
Angle of rotation	max. 95° (adjustable by mechanical stops)
Torque	min. 10 Nm (90 in-lb) @ nominal voltage
Running time	150 s
Direction of rotation	Reversible with switch
Position indication	mechanical

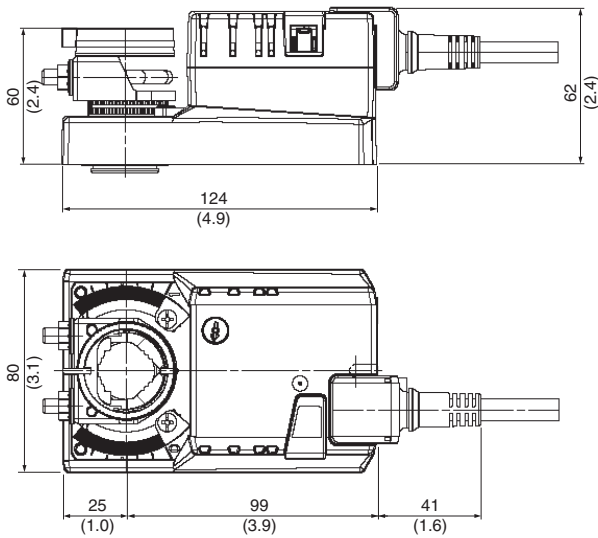
Standards conformity	
EMC, emission	SS EN 50081-1
EMC, immunity	SS EN 50082-1
LVD Safety; MD10B-230	SS EN 60335-1
Protection class	
MD10B-24	III Safety extra-low voltage
MD10B-230	II Totally insulated
Enclosure rating	IP 54
Ambient humidity	95% r.H (EN 60730-1)
Ambient temperature	
Operation	–30...+50 °C (–22...+122 °F)
Storage	–40...+80 °C (–40...+176 °F)
Sound power level	max. 35 dB (A)
Maintenance	Maintenance-free
Weight	
MD10B-24	Approx 0.75 kg (1.7 lb.)
MD10B-230	Approx 0.8 kg (1.8 lb.)

North America (USA): +1 888 444 1311  
 Europe, Middle East & Africa (Sweden): +46 10 478 2000  
 Asia Pacific (Singapore): +65 6484 7877  
 product.support@schneider-electric.com  
 www.schneider-electric.com

Life Is On

**Schneider**  
Electric

## Dimensions mm (inches)



Damper spindle (in.)	Length mm (in.)	Ø mm
Clamp on top	min. 40 (1.57)	8 ... 26.7 (0.31 ... 1.04)
Clamp on bottom*	min. 20 (0.78)	8 ... 20 (0.31 ... 0.78)

\*Option (Accessory K-MD10)

## Wiring

MD10B-230

DANGER

**HAZARD OF ELECTRIC SHOCK**

- Follow safe electrical work practices. See NFPA 70E in the USA, or applicable local codes.
- This equipment must only be installed and serviced by qualified electrical personnel.
- Read, understand and follow the instructions before installing this product.
- Turn off all power supplying equipment before working on or inside the equipment.
- Use a properly rated voltage sensing device to confirm power is off.

**DO NOT DEPEND ON THIS PRODUCT FOR VOLTAGE INDICATION**

**Failure to follow these instructions will result in death or serious injury.**

A qualified person is one who has skills and knowledge related to the construction and operation of this electrical equipment and the installation, and has received safety training to recognize and avoid the hazards involved. NEC2011 Article 100  
No responsibility is assumed by Schneider Electric for any consequences arising out of the use of this material.

Other actuators can be connected in parallel. Please note the performance data.

MD10B-24

**NOTE:** Connection via safety isolating transformer!

Other actuators can be connected in parallel. Please note the performance data.

## Accessories

Please refer to data sheet G-30-90 "Accessories Damper Actuators" 0-003-2251.



Direction of rotation

