

02 Series

Electronic Flow Meter with Scaled Pulse Output



Product Description

The FLOMEC® 02 Series is a lightweight, accurate and reliable turbine meter. Choose the 02 Series for thin viscosity fluid applications (for installation on plastic pipes only).

- Aluminum or nylon housing
- Virtually maintenance free
- Display powered by two AAA batteries
- Offers one pulse per unit (gallons or liters)

Features

- Complete meter, including turbine assembly, microprocessor and LCD readout
- Remote monitor option to connect to an external system (NPN Open Collector Pulse)
- Lightweight, compact design allows for easy installation
- Display powered by two AAA alkaline batteries that are easy to replace with the meter installed
- Totalization: Batch (resettable to measure flow during a single use) and Cumulative (non-resettable, to provide continuous measurement)

Available Products

Part Number	Manufacturer's Part Number	Description
FLO-02N31GM	02N31GM	Nylon flow meter, digital pulse, 1-inch NPT inner, gallons, display
FLO-02N12LM	02N12LM	Nylon flow meter, digital pulse, 1-inch BSPT inner, liters, display
FLO-02A31GM	02A31GM	Aluminum flow meter, digital pulse, 1-inch NPT inner, gallons, display
FLO-02A12LM	02A12LM	Aluminum flow meter, digital pulse, 1-inch BSPT inner, liters, display

Specifications

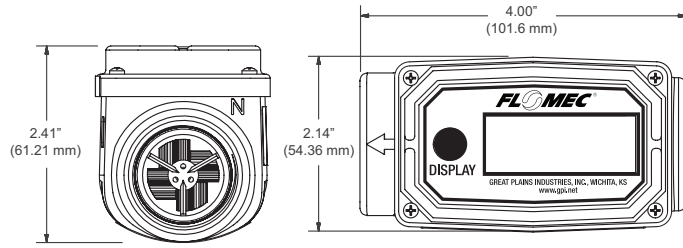
Fitting Size / Fitting Type	1 inch / BSPT (female) 1 inch / NPT (female)
Flow Rate	3 to 30 GPM 11 to 113 LPM
Accuracy	± 5.0%
Accuracy (% of Reading)	±20 ppm ±1% of measured value
Pressure Rating	150 PSIG / 10.3 BAR
Operating Temperature Range	14 to 130 °F (-10 to 55 °C)
Pulse Out Description	Open Collector (also known as NPN or Current Sinking)
Pulse Duration	250 msec
Pulse Amplitude	5 to 30 Vdc
Scaling	One pulse per gallon or liter
Cable Length	5 ft. (1.5 m)
Wetted Materials (Aluminum)	Housing: Aluminum Bearings: Ceramic Shaft: Tungsten carbide Rotor: Nylon Rings: 316 stainless steel Signal generator: Ferrite
Wetted Materials (Nylon)	Housing: Nylon Bearings: Ceramic Shaft: Tungsten carbide Rotor: Nylon Rings: 316 stainless steel Signal generator: Ferrite
Limited Warranty	2 years
Agency Approvals	CE

USA: +1 888-444-1311
Europe: +46 10 478 2000
Asia: +65 6484 7877
www.schneider-electric.com

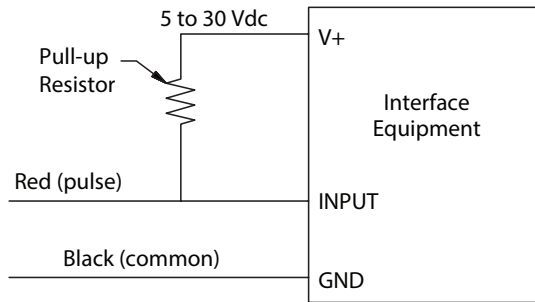
Life Is On

Schneider
Electric

Dimensions (in.)



Internal Pull-up Resistor



Note: Some interface devices may not have an internal pull-up resistor. Use a minimum 820 Ω resistor if necessary.