

SpaceLogic M22A, M50A

Modulating 0...10 V / 0...20 mA Valve Actuator for DN 125...150



The M22A and M50A are electromechanical actuators for motorizing 2-way and 3-way valves for sizes DN125...150 type V222, V292 and V321.

M22A and M50A actuators are powered by 24 V and controlled by 0...10 V DC or 0...20 mA signal.

M22A and M50A can be ordered mounted in factory on the valve.

Specifications

Supply voltage	24 Vac +10% / -15%, 50...60 Hz		
Power consumption	average 15 VA		
Running time			
Modulating 0...50 mm			
.50Hz			132 s
60Hz			112 s
Thrust			
M22A	2200 N (495 lbf)		
M50A	5000 N (1120 lbf)		
Duty cycle	max. 80%/60 minutes		
Analog input			
Voltage	0 (2)...10 V		
Impedance	30 kOhm		
Current	0 (4)...20 mA		
Impedance	125 Ohm		
Environment			
Ambient temperature			
Operation	-20...+70 °C		
Storage	-20...+70 °C		
Ambient humidity	<95 %RH		
Enclosure rating	IP 65		
Standards/Directives			
Emission	EN 50081-1: 03.1993		
Immunity	EN 50082-1: 11.1997		
	EN 50082-2: 02.1996		

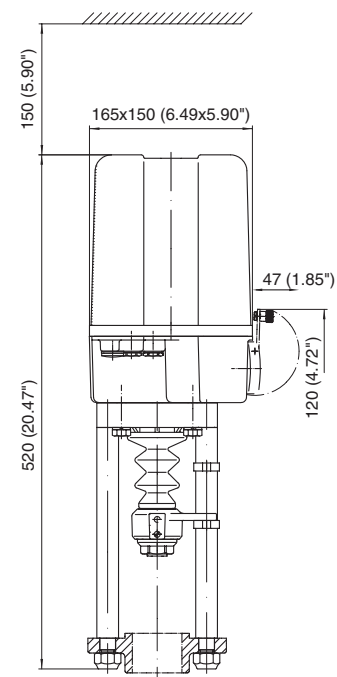
Available Part Numbers

Part Number	Description	Power supply	Power Consumption	
890 0104 000	M22A-24V	24 Vac+10%/-15%	12 VA	15 VA
890 0204 000	M50A-24V	24 Vac+ 10%/-15%	12 VA	15 VA

Main Construction Materials

Housing	CoPA - Grivory GV-4H
Cover	PC - Polycarbonate
Color	black
Weight	
M22A	5,4 kg
M50A	6,0 kg

Dimensions mm (In)



Actuator

M22A and M50A consists of a reversible motor and a gear train in a CoPA housing.

All bearings of motor and gear train are of permanent lubrication type.

The reversible motor cuts out in both end positions on activating limit switches.

Control signal

M22A and M50A are controlled by a voltage input so that a certain level always corresponds to a position of the actuator. This is done by the Electronic Positioner ES11.

The control signal reaction can be set by switch normal or inverted.

Manual operation

The actuator can be manually operated by means of a hand wheel. Since the hand wheel always follows during motor-driven operation (running indication), never operate by hand while the actuator is running – potential injury hazards

Note: Switch of the electrical source and secure against turning on again.

The position of the actuator is indicated with a pointer between the actuator and the valve.

Installation

The installation of the M22A and M50A is carried out according to instruction, shipped together with the actuator, if the actuator is mounted on the valve from factory.

How to mount and adjust a M22A and M50A actuator to a valve is described in the handbook for M22 and M50.

The actuator may be mounted beside or above the valve.

Mounting below the valve should be avoided.

Wiring

