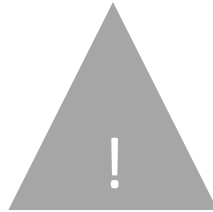


Safety Document for DLLTE – XX Data Logger Products



It is important that you read the Quick Start Guide (provided with the Data Logger) in a controlled environment prior to installation.

It is recommended that you set up, activate and successfully test the entire system (Data Logger, sensors and antenna connection) indoors, in a controlled environment, before going to the field for installation.

IMPORTANT



Contact SCHNEIDER ELECTRIC SUPPORT for technical assistance: supportTRSS@se.com +1.888.226.6876 (US) +1.613.591.1943 (Global)



Always coordinate the installation with the local authority before starting installation. Installation should be completed by trained and authorized personnel. If assistance from Schneider Electric Support is needed, schedule a request in advance, and make sure that you get confirmation before the installation.



The Schneider Electric Limited Warranty covers only Schneider Electric-supplied hardware and software for the duration of the warranty period as per the warranty terms and conditions.



Schneider Electric is not liable for damage or injury as a result of handling, installation or maintenance of its supplied systems.



DO NOT throw away the device because it contains a lithium battery. Dispose of the battery properly according to local laws and regulations. If there are questions concerning disposal, contact the supplier representative.






4G (LTE)/3G/2G cellular network signal is required for proper communication.





Operating temperature range: -40°C to +68°C (-40°F to +154°F).

SAFETY MESSAGE

This manual applies Hazard Severity Levels to the safety alerts. These three levels are described in the sample alerts below.

 **CAUTION** identifies a potential hazard, which if not avoided, may result in minor or moderate injury. This category can also warn you of unsafe practices, or conditions that may cause equipment or property damage.

 **WARNING** identifies a potentially hazardous condition, which if not avoided, could result in death or serious injury.

 **DANGER** identifies a potentially hazardous condition, which if not avoided, could result in death or serious injury.



SAFETY MESSAGE

Procedures and instructions in this manual may require special precautions to ensure the safety of the personnel performing the operations. Refer to the safety messages listed at the beginning of each section before performing an operation preceded by this symbol.

Failure to follow installation guidelines could result in serious injury or death. Make sure only qualified personnel perform this installation.

Use the equipment only as specified in this manual. Failure to do so may impair the protection provided by the equipment.

Before installing, operating, or maintaining this equipment, it is imperative that all hazards and preventive measures are fully understood. While specific hazards may vary according to location and application, take heed in the following general warnings.



WARNING

Do not open unit or service the unit in the presence of a hazardous atmosphere.



WARNING

Do not disconnect/reconnect the unit after installation while power is on internally and/or externally.



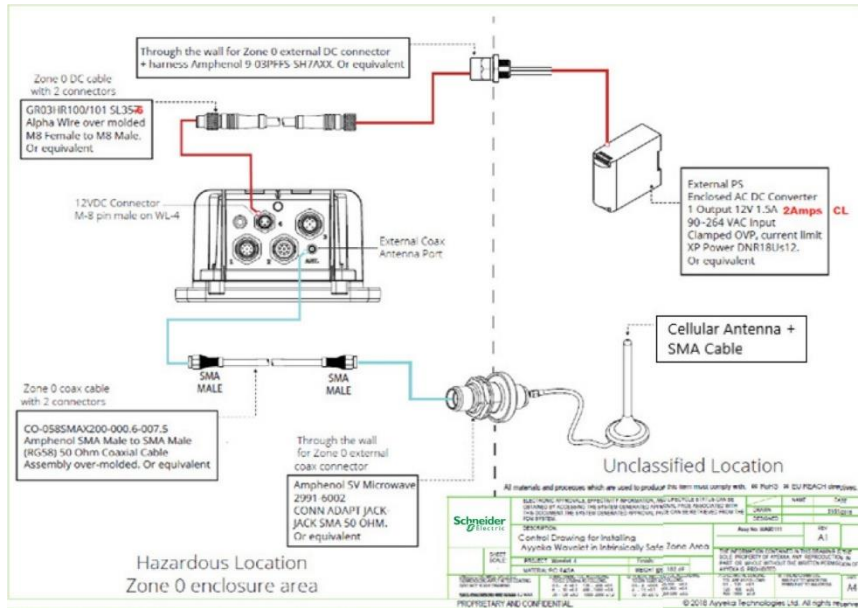
WARNING

Read and follow all instructions for operation and installation to maintain safety in hazardous area locations.

As an “X” marked product, special attention is needed to written manufacturer procedures for specific installation instructions to comply with Ex restrictions.



RECOMMENDED ELECTRICAL LAYOUT



Use the equipment only as specified in this manual and according to the intrinsic safety control drawing. Failure to do so may impair the protection provided by the equipment.

SENSOR CONNECTION



WARNING: Connection of sensor(s) to the device must be done in an unclassified zone. Failure to perform this action in an unclassified zone may cause dangerous conditions. Always refer to the Quick Start Guide for correct pin out for the sensor.



MOUNTING, ACTIVATION AND OPERATION



WARNING: The external antenna mounting and testing with direct antenna connection **MUST** be done in an unclassified zone. Failure to perform this action in an unclassified zone may cause dangerous conditions.



WARNING: The device should first be tested in an unclassified zone. Failure to perform this initial testing action in an unclassified zone may cause dangerous conditions.



DANGER: Use extreme caution. Installation of through-the-wall connectors must be performed with proper tools for a hazardous location. Failure to conform with this warning may result in death or serious injury.



DANGER: Use extreme caution. Do not disconnect/reconnect the unit after installation while power is on internally and/or externally. Failure to conform with this warning may result in death or serious injury.



DANGER: Use extreme caution. Secure the screw with proper tools for a hazardous location. Failure to conform with this warning may result in death or serious injury.



Technical Support

Level 1 and 2 support will be provided through the individual countries. Level 3 support will be available through the Technical Support team located in Canada.

- North America: 1-888-226-6876, toll free (Monday to Friday 8:00 am – 6:30 pm, Eastern time)
- Global Toll Free: 1 613 591 1943 (24 hr)
- Email: supportTRSS@se.com



