



Main

Range of product	Harmony XAR
Product or component type	Hand-held remote control
Device short name	ZART
Control button type	6 configurable motion push-button 6 configurable auxiliary push-button

Complementary

Device application	Master in multiple bridge control (tandem) Slave in multiple bridge control (tandem) Master and slave in multiple bridge control (tandem)
Material	Enclosure: PC (polycarbonate) Enclosure: PBT (polybutylene terephthalate) Cover: PP (polypropylene) Protective cover: EPDM rubber
Function available	Accelerometer function Vibrator function
Display type	LCD display 34 x 42 mm
Operating distance	50 m
Mechanical robustness	Free fall resistance 4.5 m conforming to IEC 60068-2-27
Communication network type	Wireless: bluetooth low energy
Transmission frequency	2.4 GHz
Maximum sensing distance	100 M in free field
Response time	< 300 ms at full duplex
Charging time	900 S
Mechanical durability	5000000 Cycles
Service life	5 Year(S)
Width	100 Mm
Height	340 Mm
Depth	90 Mm
Net weight	0.65 Kg

The information provided in this documentation contains general descriptions and/or technical characteristics of the performance of the products contained herein. This documentation is not intended as a substitute for and is not to be used for determining suitability or reliability of these products for specific user applications. It is the duty of any such user or integrator to perform the appropriate and complete risk analysis, evaluation and testing of the products with respect to the relevant specific application or use thereof. Neither Schneider Electric Industries SAS nor any of its affiliates or subsidiaries shall be responsible or liable for misuse of the information contained herein.

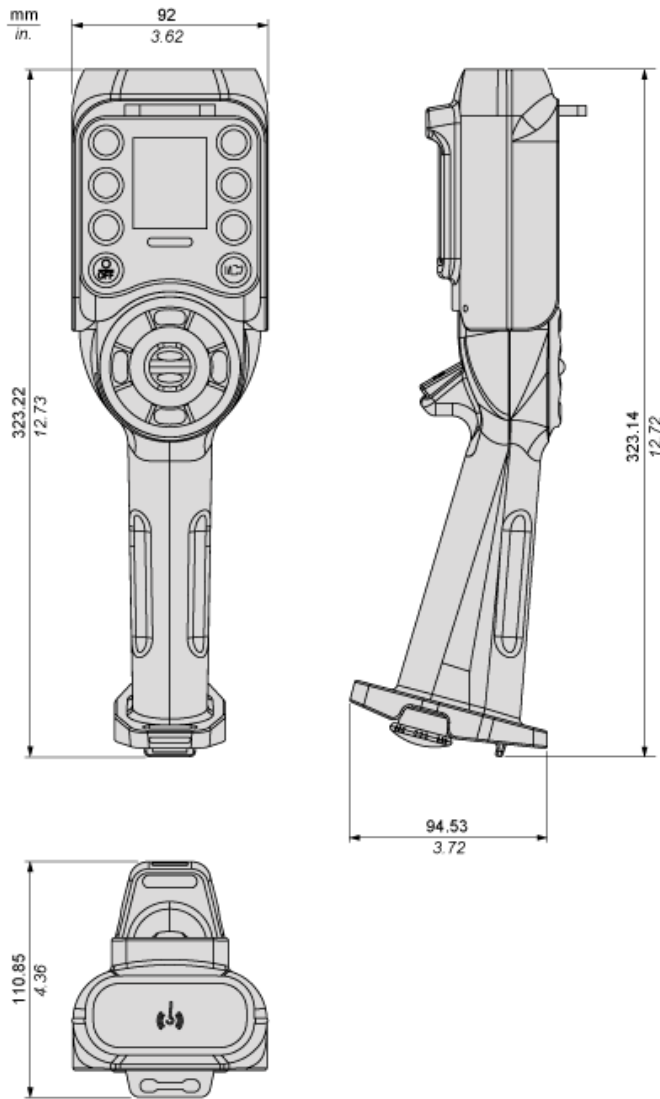
Environment

Radio agreement	ANATEL ICASA RSS FCC ARIB SRRC
IP degree of protection	IP65
NEMA degree of protection	NEMA 4
Ambient air temperature for operation	-20...60 °C
Ambient air temperature for storage	-20...45 °C
Operating altitude	0...2000 m
Storage altitude	0...3000 M
Vibration resistance	0.075 mm conforming to IEC 60068-2-6 (f = 10...55 Hz)
Shock resistance	100 gn conforming to IEC 60068-2-27
Relative humidity	0...95 % at -20...60 °C operating
Product certifications	JIS CE CSA UL C-Tick KC EAC

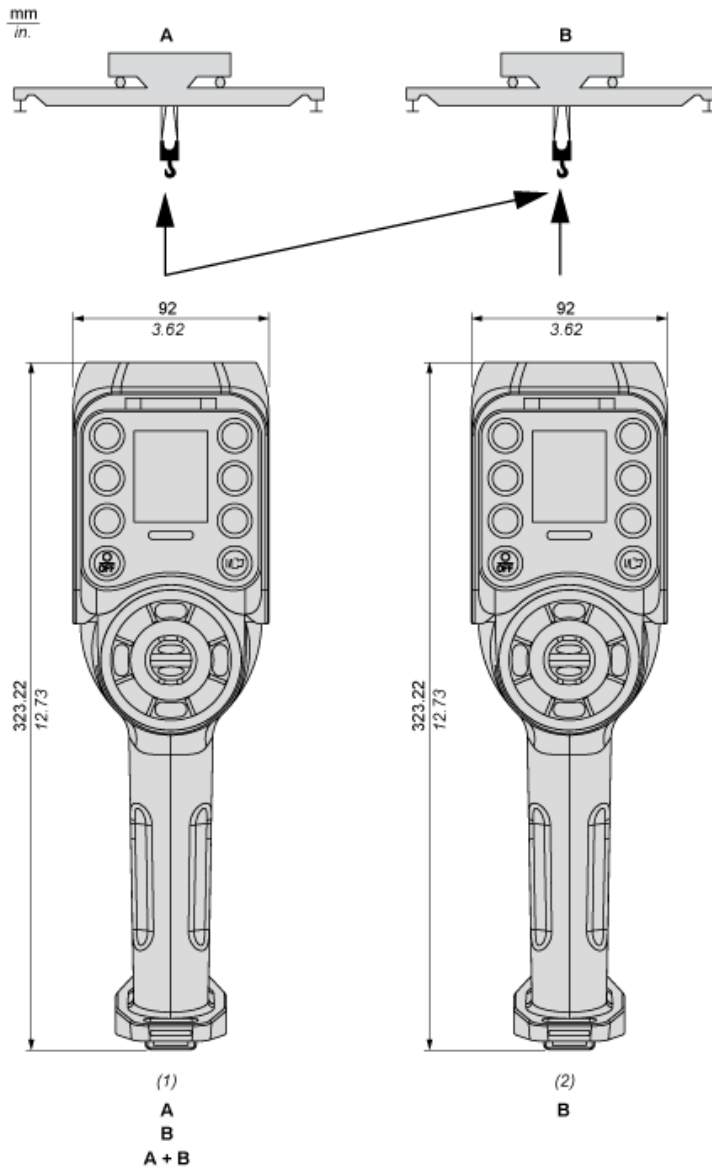
Offer Sustainability

REACH Regulation	REACH Declaration
EU RoHS Directive	Compliant EU RoHS Declaration
Mercury free	Yes
RoHS exemption information	Yes
China RoHS Regulation	China RoHS Declaration
WEEE	The product must be disposed on European Union markets following specific waste collection and never end up in rubbish bins

Dimensions



Multiple Bridge Control



- A : Bridge 1
- B : Bridge 2
- (1) Master
- (2) Slave

Product Life Status : **Commercialised**