



Main

Range of product	Harmony XAR
Product or component type	Base station
Device short name	ZARB
Product specific application	Hoisting applications Material handling

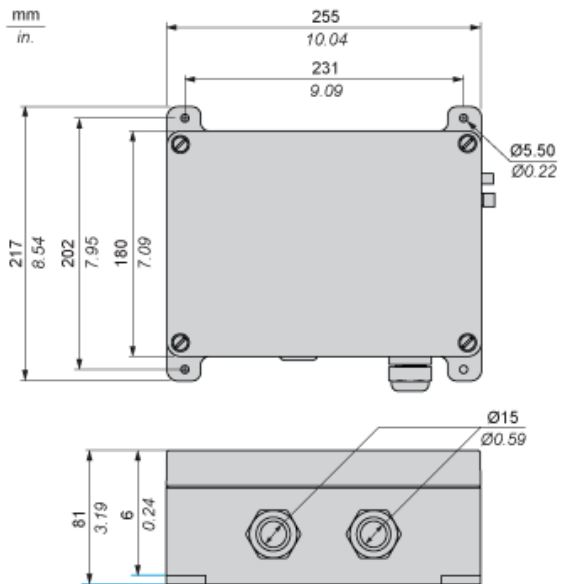
Complementary

Cable entry	Cable gland
Material	ABS + PC
[Us] rated supply voltage	12...24 V DC 12...230 V AC
Provided equipment	External antenna
Nominal output current	0.5 A at 48 V AC conforming to IEC 60947-5-1
Number of relays	28
Relay type	Motion relay outputs (20 NO) Auxiliary relay outputs (8 NO)
Safety outputs	2 NC relay outputs
Maximum switching current	90 mA AC
Maximum switching voltage	240 V AC (+/- 20 %)
Communication network type	Wireless
Transmission frequency	433 MHz
Maximum sensing distance	100 m in free field
Fixing mode	4 holes
Electrical durability	100000 cycles
Mechanical durability	10000000 cycles
Service life	10 yr
Width	256 mm
Height	175 mm
Depth	85 mm
Product weight	2.2 kg

Environment

IP degree of protection	IP66
Relative humidity	0...97 %
Ambient air temperature for operation	-20...55 °C
Ambient air temperature for storage	-40...70 °C
Product certifications	CE
Environmental characteristic	RoHS compliant

Dimensions



Product Life Status : Commercialised