



Main

Range of product	Harmony XAR
Product or component type	Base station
Device short name	ZARB
Product specific application	Hoisting applications Material handling

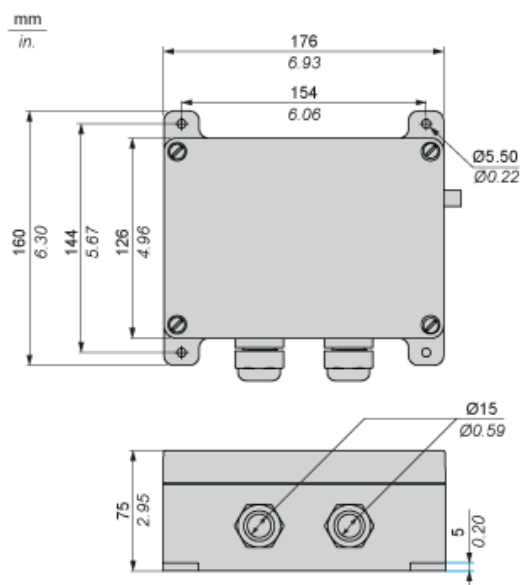
Complementary

Cable entry	Cable gland
Material	ABS + PC
[Us] rated supply voltage	12...230 V AC 12...24 V DC
Provided equipment	External antenna
Nominal output current	0.5 A at 48 V AC conforming to IEC 60947-5-1
Number of relays	17
Relay type	Motion relay outputs with 15 NO contact Auxiliary relay outputs with 2 NO contact
Safety outputs	2 NC relay outputs
Maximum switching current	90 MA AC
Maximum switching voltage	240 V AC (+/- 20 %)
Communication network type	Wireless
Transmission frequency	433 MHz
Maximum sensing distance	100 M in free field
Fixing mode	4 holes
Electrical durability	100000 Cycles
Mechanical durability	10000000 Cycles
Service life	10 Year(S)
Width	176 Mm
Height	126 Mm
Depth	75 Mm
Net weight	0.95 Kg

Environment

IP degree of protection	IP66
Relative humidity	0...97 %
Ambient air temperature for operation	-20...55 °C
Ambient air temperature for storage	-40...70 °C
Product certifications	CE
Environmental characteristic	RoHS compliant

Dimensions



Product Life Status : Commercialised