

Product data sheet

Characteristics

XUYFNEP100015

photo-electric sensor - XUY - fork - pot +/- -
15X95mm - 12..24VDC - M8

Price*: 172.00 USD



Commercial status

This Product is Obsolete :

 This Product is Obsolete

Main

Range of product	OsiSense XU
Series name	Application
Electronic sensor type	Photo-electric sensor
Sensor name	XUY
Sensor design	Fork
Detection system	Thru beam
Emission	Infrared LED, modulated
Passage width	0.59 In (15 mm)
Passage depth	3.74 In (95 mm)
Material	Metal/Plastic
Supply circuit type	DC
Wiring technique	4-wire
Discrete output type	PNP and NPN
Discrete output function	1 NO or 1 NC programmable
Electrical connection	1 male connector M8, 4 pins
Product specific application	Detection of double sheet Detection of reference marks Detection of labels Detection on small conveyor Detection on vibrating rail
[Sn] nominal sensing distance	0.59 In (15 mm)

Complementary

Enclosure material	Painted aluminium and polyamide/glass
Keypad type	Green
Minimum object diameter for detection	0.01 In (0.2 mm)
Type of output signal	Discrete
Output type	Solid state
Status LED	Adjustment mode and keypad locking 1 LED red) Output state 1 LED yellow)
[Us] rated supply voltage	12...24 V DC reverse polarity protection
Supply voltage limits	10...30 V DC

Switching capacity in mA	100 mA overload and short-circuit protection)
Switching frequency	10 kHz
Maximum voltage drop	<2 V closed state)
Current consumption	40 mA no-load
Load capacitance	330 NF
Time response	-20...20 Ms
Setting-up	Sensitivity by numeric potentiometer
Net weight	0.42 Lb(US) (0.19 kg)

Environment

Product certifications	CE CULus
Ambient air temperature for operation	-4...140 °F (-20...60 °C)
Ambient air temperature for storage	-22...176 °F (-30...80 °C)
Immunity to ambient light	10000 Lux natural light 5000 Lux incandescent bulb
Vibration resistance	7 gn +/- 0.75 mm 10...55 Hz) IEC 60068-2-6
Shock resistance	30 gn 11 ms) IEC 60068-2-27
IP degree of protection	IP65 IEC 60529

Ordering and shipping details

Category	22481-SENSORS, PHOTOELECTRIC
Discount Schedule	DS2
GTIN	03389119006354
Package weight(Lbs)	0.19 Lb(US) (0.087 kg)
Returnability	No
Country of origin	FR

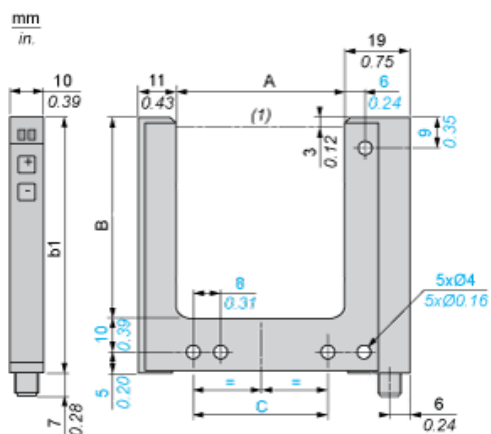
Packing Units

Package 1 Height	0.150 Dm
Package 1 width	1.600 Dm
Package 1 Length	1.300 Dm

Contractual warranty

Warranty	18 months
----------	-----------

Dimensions



(1) Optical axis

Dimensions in mm

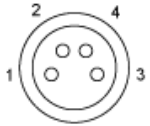
A	B	b1	C
15	95	110	27

Dimensions in in.

A	B	b1	C
0.59	3.74	4.33	1.06

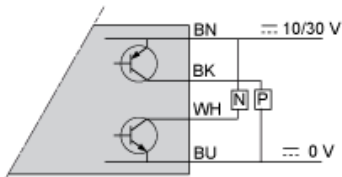
Wiring Schemes

M8 Connector



- 1 : BN: Brown
- 2 : WH: White
- 3 : BU: Blue
- 4 : BK: Black

4-Wire, PNP/NPN Outputs



- BN : Brown
- WH : White
- BK : Black
- BU : Blue

Product Life Status : End of commercialisation
