

Main

Range of product	OsiSense XU
Series name	Application food and beverage
Electronic sensor type	Photo-electric sensor
Sensor name	XU9
Sensor design	Cylindrical M18
Detection system	Polarised reflex
Sensing range	> 1...5 m
Material	Stainless steel
Line of sight type	90° lateral
Type of output signal	Discrete
Supply circuit type	DC
Wiring technique	3-wire
Discrete output type	PNP
Discrete output function	1 NO or 1 NC programmable
Electrical connection	Cable
Cable length	5 m
Product specific application	-
Emission	Red polarised reflex
[Sn] nominal sensing distance	2 m polarised reflex need reflector XUZC50

Complementary

Enclosure material	Stainless steel : 304 CU
Lens material	PMMA
Maximum sensing distance	3 m
Output type	Solid state
Add on output	Without
Add on input	Programmation
Cable composition	3 x 0.14 mm ²
Wire insulation material	PvR
Cable outer diameter	3.5 mm
Status LED	1 LED (yellow) for output state
[Us] rated supply voltage	12...24 V DC reverse polarity protection
Supply voltage limits	10...30 V DC
Switching capacity in mA	<= 100 mA (overload and short-circuit protection)
Switching frequency	<= 2000 Hz
Voltage drop	<= 1 V (closed state)
Current consumption	<= 10 mA (no-load)

Delay first up	<= 20 ms
Delay response	<= 0.25 ms
Delay recovery	<= 0.25 ms
Setting-up	Without sensitivity adjustment
Diameter	8 mm
Length	48 mm
Product weight	0.05 kg
Kit composition	Reflector XUZC50 Sensor

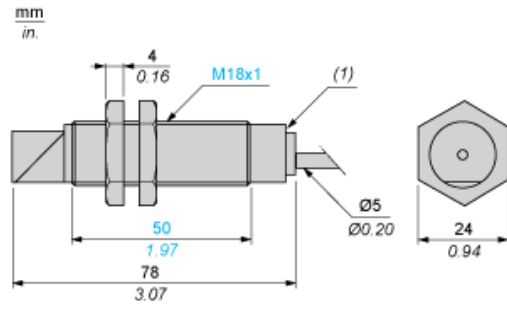
Environment

Product certifications	CULus CE
Ambient air temperature for operation	-25...55 °C
Ambient air temperature for storage	-30...70 °C
Vibration resistance	7 gn, amplitude = +/- 1 mm (f = 10...55 Hz) conforming to IEC 60068-2-6
Shock resistance	30 gn (duration = 11 ms) conforming to IEC 60068-2-27
IP degree of protection	IP65 conforming to IEC 60529 IP67 conforming to IEC 60529

Contractual warranty

Warranty period	18 months
-----------------	-----------

Dimensions



(1) LED

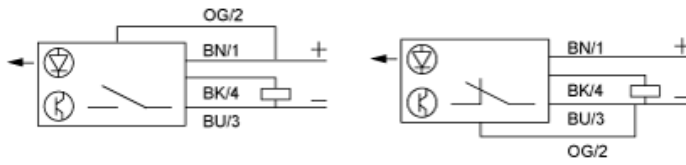
Mounting and Clearance

Fixing nut tightening torque: < 15 N.m

Connector tightening torque: 2 N.m

Wiring Schemes

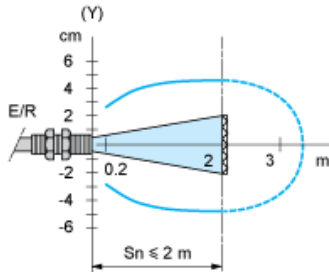
3-wire, PNP NO or NC Programmable Function



BN : Brown
BK : Black (out / output)
BU : Blue
OG : Orange (program)

Detection Curves

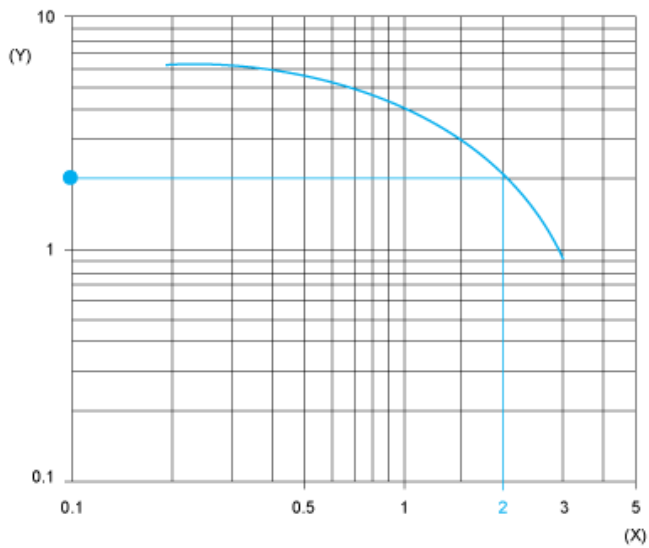
Polarised Reflex System with Reflector XUZC50



(y) Ø of beam

Excess Gain Curves (Ambient Temperature: + 25° C)

Polarised Reflex System with Reflector XUZC50



(y) Gain
(x) Distance (m)

Product Life Status : **Commercialised**