



Main

Range of product	OsiSense XS
Series name	General purpose
Sensor type	Inductive proximity sensor
Device application	-
Sensor name	XS7
Sensor design	Form 40 x 40 x 117
Size	117 mm
Body type	Fixed
Detector flush mounting acceptance	Flush mountable
Material	Plastic
Enclosure material	Plastic
Type of output signal	Discrete
Wiring technique	2-wire
[Sn] nominal sensing distance	15 mm
Discrete output function	1 NO or 1 NC programmable
Output circuit type	DC
Electrical connection	Screw-clamp terminals, clamping capacity: 2 x 1.5 mm ²
[Us] rated supply voltage	12...48 V DC with reverse polarity protection
Switching capacity in mA	1.5...100 mA with overload and short-circuit protection
IP degree of protection	IP67 conforming to IEC 60529

Complementary

Detection face	5 positions turret head
Front material	Plastic
Sensing range	> 8...15 mm
Operating zone	0...12 mm
Differential travel	3...20% of Sr
Repeat accuracy	<= 3% of Sr
Cable entry number	1 tapped entry for M20 x 1.5 cable gland
Status LED	1 LED yellow for output state
Supply voltage limits	10...58 V DC
Residual current	<= 0.5 mA for open state
Switching frequency	<= 1500 Hz
Voltage drop	<= 4 V at closed state
Delay first up	<= 5 ms
Delay response	<= 2 ms
Delay recovery	<= 5 ms

Marking	CE
Height	40 mm
Length	40 mm
Width	117 mm

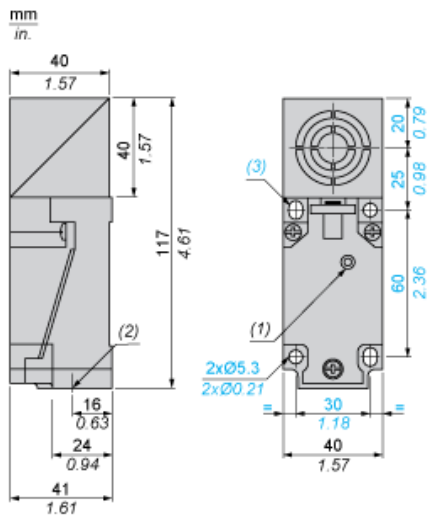
Environment

Product certifications	CCC CSA C-Tick UL
Ambient air temperature for operation	-25...85 °C

Contractual warranty

Warranty period	18 months
-----------------	-----------

Dimensions

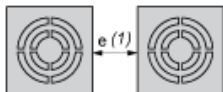


- (1) Output LED
- (2) 1 tapped entry for M20
- (3) 2 elongated holes Ø 5.3 x 7

Setting-up

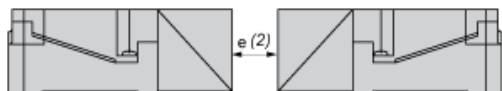
Minimum Mounting Distances (mm)

Side by Side



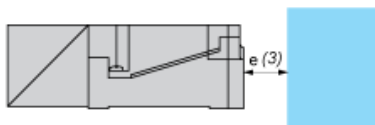
$e (1) \geq 0$

Face to Face



$e (2) \geq 20$

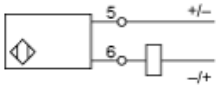
Facing a Metal Object



$e (3) \geq 5$

Wiring Schemes

2-Wire DC (Non Polarised)



Product Life Status :	Commercialised
-----------------------	----------------