



## Main

|                                    |   |
|------------------------------------|---|
| Range of product                   | OsiSense XS   |
| Series name                        | General purpose   |
| Sensor type                        | Inductive proximity sensor  |
| Device application                 | -   |
| Sensor name                        | XS6   |
| Sensor design                      | Cylindrical M30   |
| Size                               | 62 mm   |
| Body type                          | Fixed   |
| Detector flush mounting acceptance | Flush mountable   |
| Material                           | Metal   |
| Type of output signal              | Discrete  |
| Wiring technique                   | 2-wire  |
| [Sn] nominal sensing distance      | 15 mm   |
| Discrete output function           | 1 NO  |
| Output circuit type                | AC/DC   |
| Electrical connection              | Remote male connector M18 4 pins  |
| Cable length                       | 0.15 m  |
| [Us] rated supply voltage          | 24...240 V AC/DC (50/60 Hz)   |
| Switching capacity in mA           | 5...200 mA DC<br>5...300 mA AC  |
| IP degree of protection            | IP68 double insulation conforming to IEC 60529<br>IP69K conforming to DIN 40050 |

## Complementary

|                          |                                 |
|--------------------------|---------------------------------|
| Thread type              | M30 x 1.5                       |
| Detection face           | Frontal                         |
| Front material           | PPS                             |
| Enclosure material       | Nickel plated brass             |
| Operating zone           | 0...12 mm                       |
| Differential travel      | 1...15% of Sr                   |
| Cable composition        | 2 x 0.34 mm <sup>2</sup>        |
| Wire insulation material | PvR                             |
| Status LED               | 1 LED (yellow) for output state |
| Supply voltage limits    | 20...264 V AC/DC                |
| Residual current         | <= 0.8 mA, open state           |

|                     |                              |
|---------------------|------------------------------|
| Switching frequency | <= 1000 Hz DC<br><= 25 Hz AC |
| Voltage drop        | <= 5.5 V                     |
| Delay first up      | <= 25 ms                     |
| Delay response      | <= 0.5 ms                    |
| Delay recovery      | <= 2 ms                      |
| Marking             | CE                           |
| Threaded length     | 52 mm                        |
| Length              | 62 mm                        |
| Product weight      | 0.205 kg                     |

## Environment

|                                       |   |
|---------------------------------------|---|
| Ambient air temperature for operation | -25...70 °C   |
| Ambient air temperature for storage   | -40...85 °C   |
| Vibration resistance                  | 25 gn, amplitude: +/- 2 mm (f = 10...55 Hz) conforming to IEC 60068-2-6 |
| Shock resistance                      | 50 gn (duration = 11 ms) conforming to IEC 60068-2-27                   |

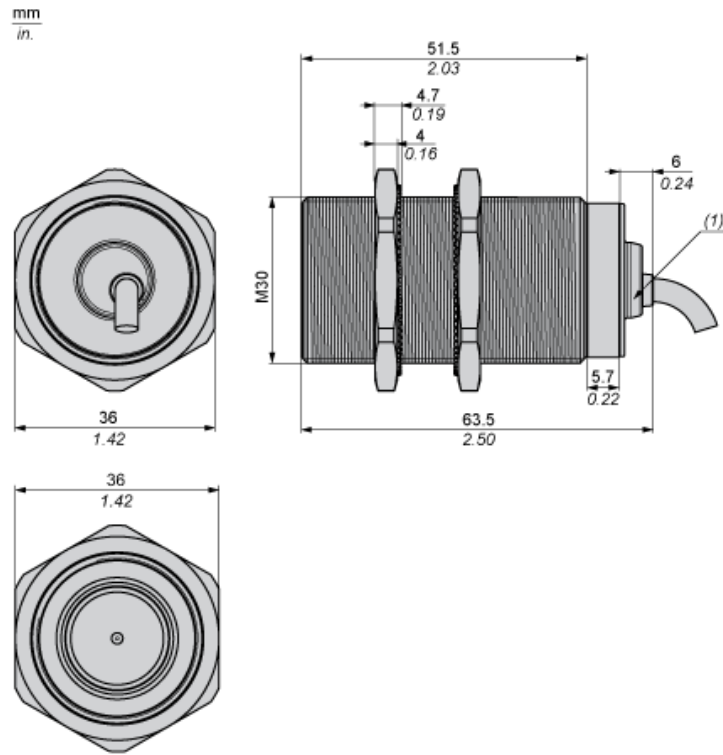
## Offer Sustainability

|                                  |  |
|----------------------------------|--|
| Sustainable offer status         | Green Premium product  |
| RoHS (date code: YYWW)           | Compliant - since 0936 - Schneider Electric declaration of conformity <a href="#">Schneider Electric declaration of conformity</a> |
| REACH                            | Reference not containing SVHC above the threshold  |
| Product environmental profile    | Available <a href="#">End Of Life Information</a>  |
| Product end of life instructions | Available  |

## Contractual warranty

|                 |           |
|-----------------|-----------|
| Warranty period | 18 months |
|-----------------|-----------|

Dimensions



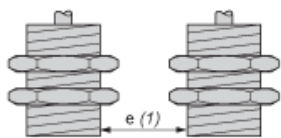
(1) LED

---

Minimum Mounting Distances

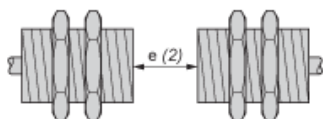
---

Side by side



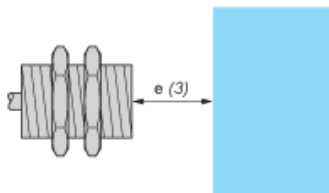
$e(1) \geq 80 \text{ mm}/1.18 \text{ in.}$

Face to face



$e(2) \geq 80 \text{ mm}/7.09 \text{ in.}$

Facing a metal object



$e(3) \geq 45 \text{ mm}/1.77 \text{ in.}$

---

Wiring Schemes

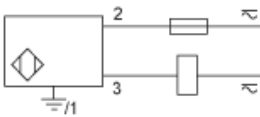
---

M18



2-Wire AC or DC

NO output



Product Life Status : Commercialised